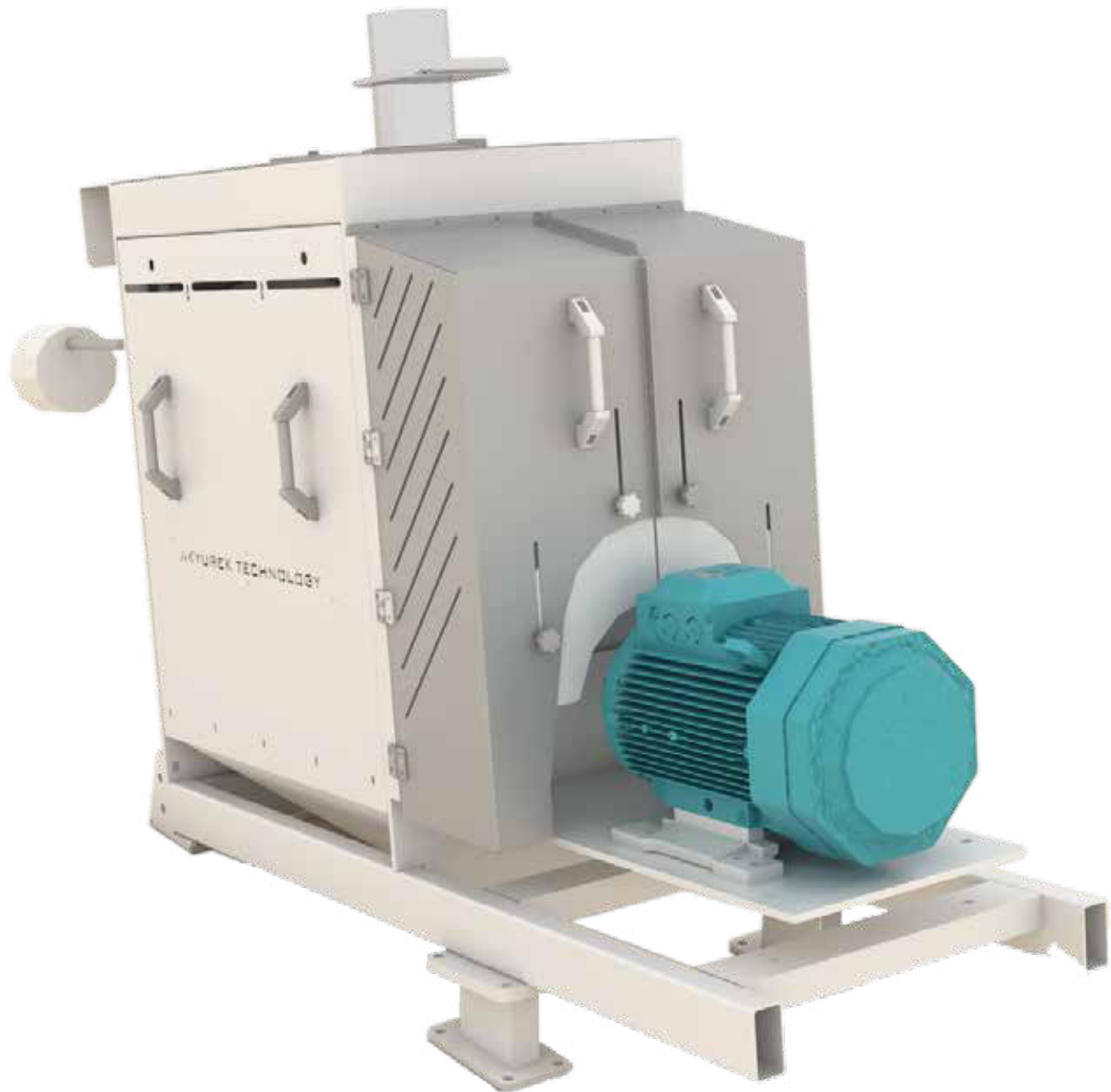




MMCTECH

SEED PROCESSING MACHINE & EQUIPMENTS
AUTOMATION SOLUTIONS

Pulses Dehuller & Splitter Machine



**PULS HULL & SPLIT
PHS 460**

MMCTECH: Seed Machines & Equipment with Automation Solutions

www.mmctech.us

info@mmctech.us

The new art of hulling pulses.

Introducing the new PULS HULL & SPLIT machine.



With Puls Hull & Split Akyurek is setting new standards in pulses processing. PHS 460 is an ideal machine for hulling (removing the seed coat) from pulses.
-PIGEON PEA, CHICK PEA, BLACK GRAM, GREEN GRAM, YELLOW GRAM, YELLOW LENTILS, RED LENTILS

MMCTECH: Seed Machines & Equipment with Automation Solutions

www.mmctech.us

info@mmctech.us

NEW STANDARDS IN PULSES PROCESSING

Pulses hulling redefined. Delivering maximum efficiency.

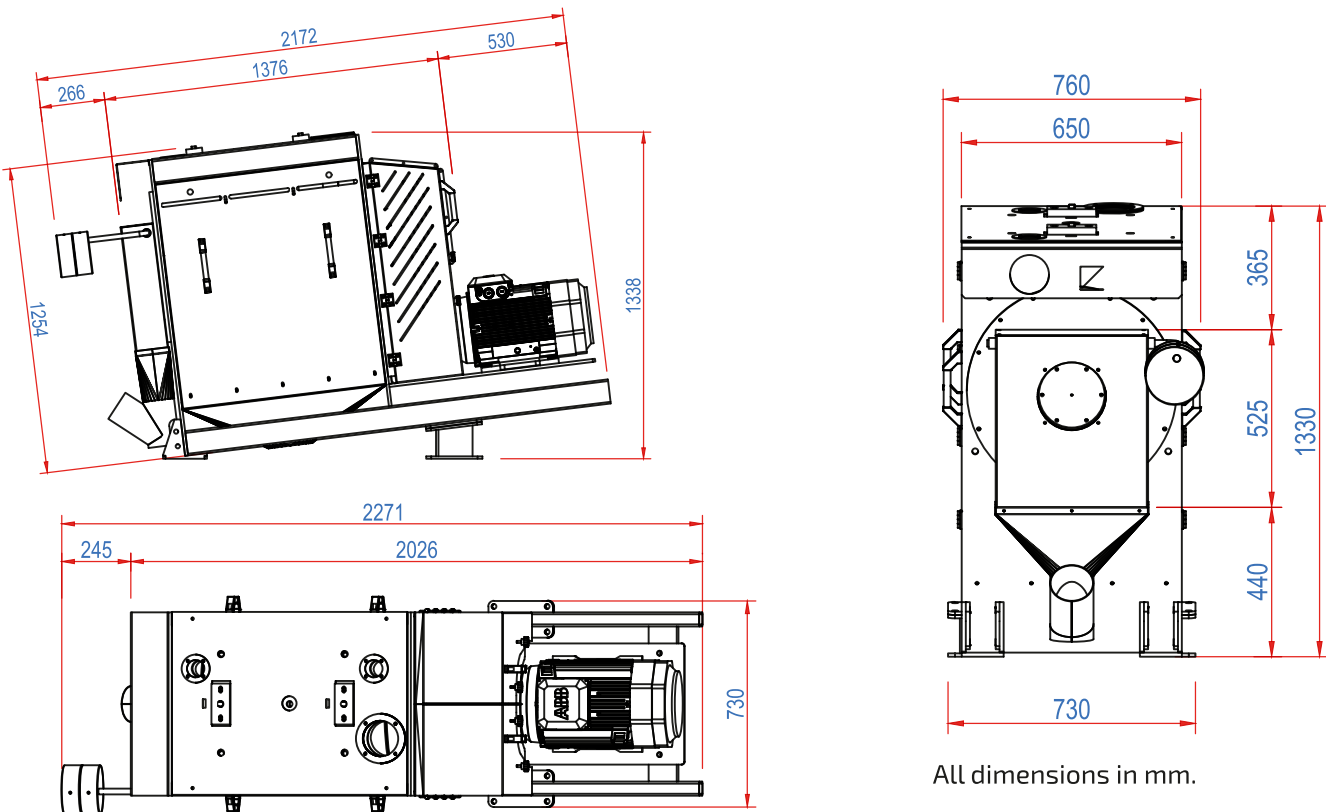
UNIVERSAL MACHINE

The following options make the machine versatile enough to be used for different varieties and grades of pulses.

- Emery Stones
- Screens
- Gap Adjuster (for gaps between stones and screen)
- Brakes

HIGHEST POWER SAVING

Akyurek has stringent design parameters of dynamical balancing, efficient drives & bearing and adjustable counter weight outlet controller. This leads to reduced power requirement for the process. Profitability is greatly improved due to lower power requirement combined with high throughput.



Machine Code	Technical Specifications		Volume (m ³)	Weight (kg)
	Capacity	Motor		
PHS-460	2500 Kg	18,5 Kw	2,95	1600

Technical details

Type	Pigeon Pea	Chick Pea	Black Gram	Green Gram	Yellow Pea	Yellow Lentils	Red Lentils
PHS-460	4.0-5.0	4.0-5.0	4.0-5.0	4.0-5.0	4.0-5.0	4.0-5.0	4.0-5.0

*Capacity depends on commodity type, variety, grade and input moisture content. Capacities are indicative and not binding.

VALUE THROUGH YOUR PRODUCTS

We are bringing new standards

Introduction to pulses, lentils and grams Pulses are a rich source of protein which is composed of essential amino acids. In addition, the carbohydrates from pulses are mostly starch and fibre which means they have a lower glycemic index than cereals. Effectively pulses deliver better health and nutritional value. Further, pulses also contain essential minerals and can fix nitrogen from atmosphere to soil thereby improving the quality of soil. Because of this nutritional and environmental sustainability, food manufacturers and processors have identified pulses as important ingredients for innovations. Pulses are defined as an annual leguminous crops yielding from 1 to 12 seeds within the pod, harvested for dry seeds. While pulses include dry peas and dry beans, green peas and green beans are not considered as pulses - they are, in fact, vegetables. Lentils or dal or dhal or daal are also type of pulses. Over time unidentified legumes have been identified as grams based on colour or usage and today, many grams are considered as pulses.

Akyurek not only provides machines for cleaning, grinding, grading and optical sorting but also process control equipments for conveying, weighing, packing etc. But that's not all. Akyurek also provides world class plant & automation engineering solutions.

- Better quality
- Higher yield
- A dust free plant
- Reduced maintenance costs
- Improved uptime

