

MMCTECH SEED PROCESSING & CONDITIONING WITH AUTOMATION SOLUTIONS

Website : mmctech.us

Email : info@mmctech.us



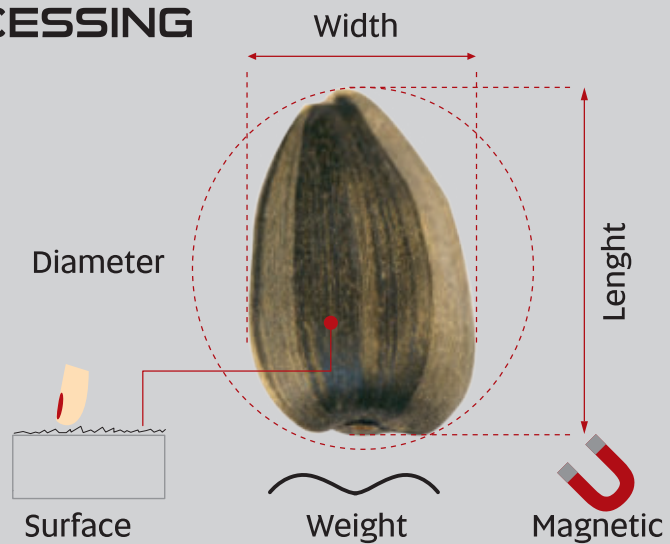
MMCTECH
SEED PROCESSING MACHINE & EQUIPMENTS
AUTOMATION SOLUTIONS

SOLUTION FOR

GRAIN	PULSES	OIL SEEDS	SPICES	GARDEN SEEDS	GRASS SEEDS
Barley	Bambara	Castor Oil Seeds	Black Cumin Seeds	Carrot	Alfa alfa / Lucerne
Buckwheat	Groundnut	Cotton Seed	Black Peper	Chervil	Clover
Maize	Chickpea	Flax Seed	Cumin	Chive	Cocksfoot
Millet	Dry Beans	Grape Seed	Coriander	Cress	Meadow Grass
Oats	Dry Broad Beans	Hazelnut	Dry Ginger	Dill	Timoth
Others	Dry Cowpea	Jojoba Seeds	Mint Leaves	Leek	Peas
Rice	Dry Peas	Lin Seed	Rosemarry	Lettuce	Potatoes
Rye	Garden Pea	Mustard Seeds	Turmeric	Melon	Poppy
Sorghum	Lentil	Niger Seeds	White Cumin Seeds	Onion	Turnip
Triticale	Lupins	Peanut (Groundnut)	Others	Parsley	Beet
Wheat	Pigeon Pea	Pumpkin Seeds		Parsnip	Coffee Bean
Others	Protein Pea	Rape Seeds		Radishes	Cabbage
	Vetch	Sunflower Seeds		Spinach	Cocoa Bean
	Others	Sesame Seeds		Tomato	Lin Seed
		Soybean		Viper's Grass	Others
				Others	



EXPERT in SEED PROCESSING





OUR PRODUCTS

↳ SEED SEPARATOR

↳ SCREEN CLEANERS

↳ PRE-CLEANERS

- Drum Sieve Seed Pre-Cleaner
- Vibratory Sieve Seed Pre-Cleaner
- Rotary Drum Seed Cleaner
- Pre-Cleaner + De-Stoner
- Akyurekexcell Universal Series Seed Pre-Cleaner
- Akyurekexcell 260 Mega Series

↳ SUPER FINE SCREEN CLEANERS

- Akyurekexcell 200 Series Super Fine Screen Cleaners
- Akyurekexcell 50 Series Super Fine Screen Cleaners

↳ FINE SCREEN CLEANERS

- Akyurekexcell 210 Series Fine Screen Cleaners
- Akyurekexcell 60 Series Fine Screen Cleaners
- Akyurek Brush Type Fine Screen Cleaners

↳ SCREEN GRADERS

- Akyurekexcell 220 Series Flat Screen Graders
- Akyurekexcell 230 Series Flat Screen Graders
- Akyurek Brush Type Seed Graders
- Cylindrical Screen Grader

↳ ALL IN ONE SCREEN CLEANER & GRADER

- Akyurekexcell 33 Screen Cleaner & Grader
- Combo Screen Cleaner & Grader O.MAC-001
- Modular Combo Screen Cleaner & Grader O.MAC-002
- Optimum Combo Screen Cleaner & Grader C.O.MAC-003
- Double Pre & Fine Screen Cleaner C.O.TEM-004

- Pre & Fine Screen Cleaner O.TEM-006
- Akyurekexcell 80

↳ OTHER SCREEN CLEANERS

- Jog Screen Cleaner
- Spiral Separator

↳ STONE SEPARATOR

- Pressure Type T.MAC-009
- Vibro Type T.MAC-009
- Peanut Density Separator

↳ INDENT CYLINDER SEPARATOR

- Indent Cylinder Separator

↳ GRAVITY SEPARATOR

- Gravity Separator

↳ COLOR SORTER

- Sorturk Color Sorter - Free Flow Type
- Sorturk Color Sorter - Belt Type

↳ INSPECTION CONVEYOR BELTS

- Inspection Conveyor Belts

↳ AIR SEPARATOR

- Air Recycling Aspirator
- Zig Zag Separator

↳ DE-AWNER & BRUSH MACHINE

- De-Awner Machine
- Brush De-Awner Machine

↳ LABORATORY EQUIPMENTS

- Hand Screen Set

↳ HAMMER MILL

→ Hammer Mill

↳ SEED TREATERS

→ Continuous Seed Treating Machine

→ Batch Type Seed Coating Machine

↳ SEED HULLERS

→ Vertical Huller

→ Emery Stone Mill

→ Peanut Blancher

→ Puls Hull & Split

→ Peanut Sheller

→ Sesame Peeler

→ Belt Tresher

↳ SUNFLOWER SEED DE-HULLERS

→ Impact De-Huller Single Mill

→ Impact De-Huller 4 Mill with Shell Separator

↳ SEED POLISHERS

→ Batch Friction Polisher

→ Continuous Seed Polisher

↳ CONVEYORS

→ Bucket Elevators

→ Easy Dump Elevator

→ Pendulum Elevator

→ Continuous Cup Z Elevator

→ Chain Conveyor

→ Telescopic Boom Conveyor

→ Belt Conveyor

→ Inclined Conveyor

→ Screw Conveyor

→ Jog Conveyor

↳ WEIGHING & BAGGING

↳ NET WEIGHER

→ Flow Scale

↳ PRE-BAGGING – NET WEIGHER SCALES

→ Open-Mouth Bag Feeding Robot

→ Semi-Automated Net Weigher & Bagging Scale

→ Lenear Scale-Four Multi Head Scale

↳ IN BAG-NET WEIGHER SCALE

→ Electronic Scale-In Bag Net Weigher

↳ BIG BAG SCALE

→ Big Bag Scale-On&Above Ground Weighing

↳ GROSS WEIGHER & BAGGER

→ Mechanic Scale In-Bag Gross Weigher

↳ DUST CONTROL

→ Centrifugal Fan & Airlockvalve

→ Jet Filters

→ Blower Group

→ Modular Pipework System

→ Cyclone

↳ STORAGE

→ Indoor Stroge Silos

↳ AUTOMAZATION

→ Plant Automation

→ Vega Pre-Cleaning Machine



VEGA PRE - CLEANING MACHINE

For more than 40 years, Akyurek has been something of a fixed institution in the development, design and production of cleaning and grading machines.

Throughout the decades, we have left a significant impact on the technical standard of these systems. Especially when it comes to harvest crop intake systems as well as pre-cleaning and main cleaning systems for cereal grains, maize, oilseeds, legumes, malt, rice, coffee and soybeans a wide range of users are relying on technology made by Akyurek.

Our high-performance machines are used mainly in

- * Harvest crop intake and receipt facilities delivery pre-cleaning operations
- * Mills and malting plants
- * Silos and storage warehouses
- * Seed processing plants

These machine types, although vastly different from one another, have one important thing in common: Anyone opting for one of the VEGA series cleaning and grading machines will get thousandfold proven technology for cleaning cereal grains,

oilseeds and legumes and for processing malting barley, malt and seed grains. And a tried-and-true system with air classification at the infeed end and high-intensity vertical sifting at the outfeed end. These cleaning systems are being put to the test every day by countless companies all over the world.

Cleaning machines have been one of Akyurek's core products right from the outset.

In critical dialogue with our customers and partners, we have been constantly receiving and implementing requests and suggestions and responded to market demands with well-targeted developments.

The logical result: today's state-of-the-art VEGA series cleaning machines, which leave nothing to be desired, thanks to their functional details and holistic, tailor made concepts.

Quality shows in a number of features, such as e.g.:

State-of-the-art technology based on decades of experience in the development of high-quality threshing-crop cleaning machines

Double aspiration thanks to vertical sifters at the infeed and outfeed ends, for high-intensity, economical and environmentally-friendly cleaning through air separation of the fine particles

High hourly output rates thanks to large screen surfaces, even for very contaminated or wet products

Economical solution for processing one or two different product types without need of screen change

Optimized system adaptability to the cleaned product thanks to air volume regulation – either by remote control or directly „hands-on“

Minimum maintenance thanks to optimized design and use of high-quality components

→ Vega Pre-Cleaning Machine

Application & characteristics

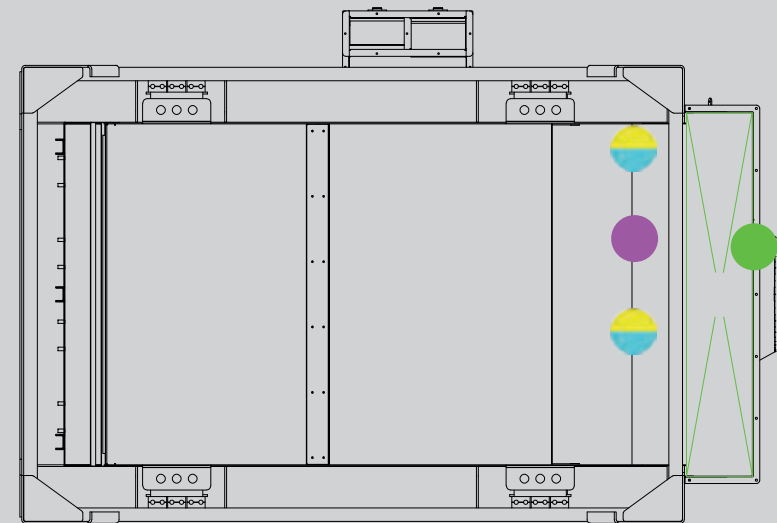
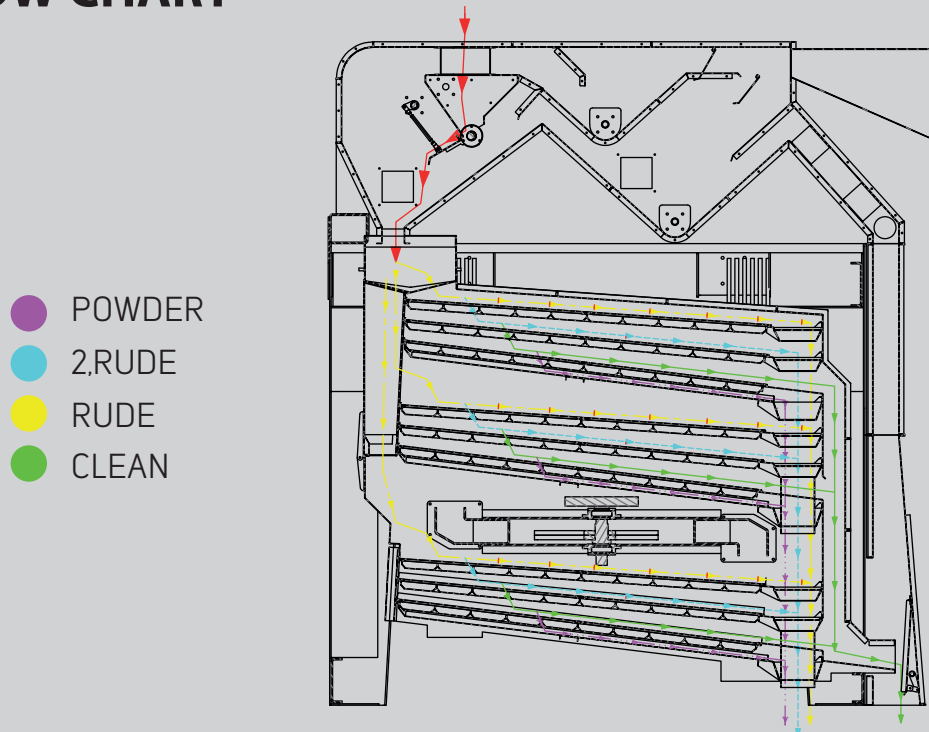
Cleaning machines of the VEGA 22A, VEGA 222A and VEGA 333A series are worldwide proven universal cleaning machines for single or double product sorting without need of screen exchange. They have been developed specifically for handling difficult products such as e.g. rape, and are used primarily in silo and processing plants as well as in storage warehouses and malting plants.

Main features

- * Economical and highly efficient cleaning system thanks to the twice-over use of the aspiration air
- * High output rates thanks to the time-tested plan sifter system with circular vibratory movements
- * Cleaning and grading through coarse- and grain screens into 4 fractions:
 - 1 st grade = cleaned goods
 - 2 nd grade = small grains
 - Waste = coarse particles
 - Infeed and outfeed aspiration = lightweight particles
- * High operational reliability thanks to screens with perforated metal plates on rugged steel frames and time-tested rubber ball cleaning system
- * User-friendly air volume regulation for optimum adjustment of the machine to the respective product
- * High screen density in a small space
- * Low energy consumption

		VC22A	VC2222A	VC333A
Working area	mm	1500	1500	1500
Screening Area				
Total	m ²	12	24	27
Pre-Screening Area		6	12	18
Main Screening Area		6	12	9
Sieve Motors	kW	2,2	3,0	3,0
Others		1,5	1,5	1,5
Air Requirement (at 90mmWC)	m ³ /min	160	200	190
Total weight	kg	4.500	7.000	6.000
Dimensions				
Length	mm	3.315	3.315	3.315
Width		2.270	2.270	2.270
Height		2.500	3.270	3.600

FLOW CHART





AKYUREK EXCELL UNIVERSAL SERIES SEED PRE-CLEANER

The Akyurek Technology product range covers Akyurek Technology Excell Pre Cleaners, Aspirators and Akyurek Technology Combi Cleaners.

Akyurek Technology UniversalExcell Pre Cleaners are a versatile screen cleaner specifically designed for pre cleaning using a 5 – 15m² area in conjunction with a sophisticated aspiration system.

Pre-cleaning may replace rough cleaning when receiving a raw material from which, in addition to the large impurities most of the sand, thin grain and weeds are to be separated. Pre-cleaners have capacities ranging from 5 to 100t/h. All these cleaners have effective pre-suction and after suction systems for separation of light products such chaff, straw, light grain, etc.

Full-Width Shaker Feeder

- Has Infinitely variable adjustment of the feed capacity via a separate control panel.
- Ensures uniform flow over the entire width of screen.
- Considerably improves air cleaning, since the product hits the pre-suction area in a uniform manner.

Feed Roller

- Has an adjustable capacity shutter in combination with infinitely variable speed control of the feed roller, Which controls the feed capacity.
- Is not affected by light weight waste material and large impurities such as stones etc.
- Has A Built-in Spring-loaded Safety Device Which Protects The Feed Roller Against Damage.

Pre-Suction and Post-Suction System

- Built As Two Separate Air Suction Units.
- Can Be Connected To Existing Central Aspiration Systems. Due To The Small Air Volume.

Screw Conveyor Outlet For Light Weight Waste

- Ensures Continuous Discharge Of Dust And Waste From The Air System Via Screw Conveyors
- Has Finger Flaps To Ensure Optimal Dust Separation In The Expansion Chamber By Preventing False Air From Entering The Chamber

Screen Boxes In Plywood Covered With Swedotex Film

- Are Moisture-resistant And Insect-resistant, And Approved By The Food Industry
- Are Constructed With Replaceable Wear Plates And Screen Runners In Exposed Areas
- Have A Long Lifetime Due To The Fact That The Plywood Easily Copes With The Vibrations Of The Screen Box
- Give Less Resonance Owing To The Use Of Plywood, Thus Resulting In A Better Working Environment

Distributor

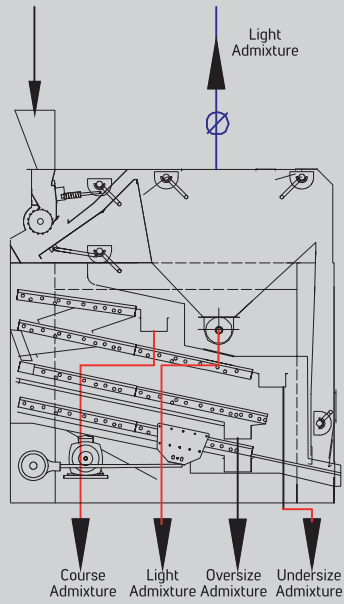
- Ensures 50% Distribution Of The Grain Flow Via The Top And Bottom Screen Boxes Respectively
- 50% And 33% Distributors Ensure Distribution Of The Grain Flow In Each Screen Box Between Various Screen Rows

Access To The Screens

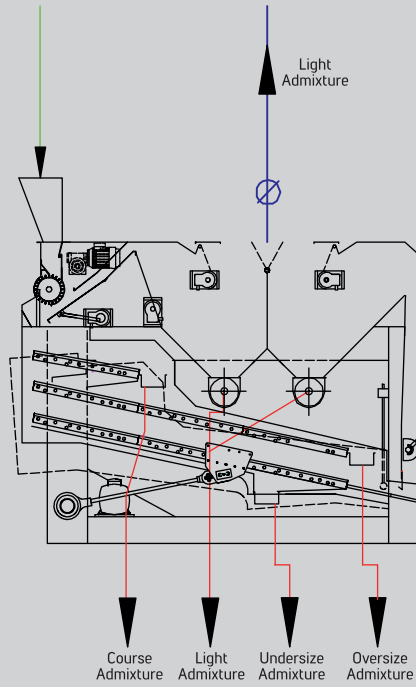
- The Access Hatches Have Snap-Action Locks
- The Hatches Are Small And Hinged At The Bottom
- Rapid Changing Of Screens

Technical Data & Capacity Chart					
UNIVERSAL Pre-Cleaner	242	243.1&243.2	244.1&244.2	245	246
Capacity Guide (max. 20% moisture)					
Pre-Cleaning	tph	tph	tph	tph	tph
Wheat and Barley	30	45	50	60	100
Rape Seed	25	35	40	50	90
Maize	25	35	40	50	90
Peas	25	35	40	50	90
Paddy Rice	12,5	17,5	20-25	30-35	45-50
Sunflower (14% moisture content)	12,5	17,5	20-26	30-36	45-51
Fine Cleaning (max. 15 % moisture content):					
Malting Barley	3-5 t/h	5-8 t/h	6-10 t/h	10-15 t/h	15-25 t/h
Seed Crain	1-3 t/h	3-5 t/h	4-6 t/h	6-8 t/h	8-12 t/h
Rape Seed (98% purity)	1-3 t/h	3-6 t/h	4-6 t/h	6-8 t/h	8-12 t/h
Maize and Peas	1-3 t/h	3-4 t/h	4-6 t/h	6-8 t/h	20 t/h
Total screen area:	5 m ²	7 m ²	10 m ²	13 m ²	15 m ²
Overall dimensions:					
Height (without fan)	2245 mm	2245 mm	2565 mm	2895 mm	3230 mm
Length	2235 mm	3012 mm	3012 mm	3270 mm	3625 mm
Width (incl. motor)	1940 mm	1913 mm	1913 mm	2300 mm	1958 mm
Motors					
Screens	1,5 kW	2,2 kW	2,2 kW	1,5 kW	1,1 kW
Fan	5,5 kW	5,5 kW	7,50 kW	7,50 kW	11,00 kW
Feeding roller	0,75 kW	0,75 kW	0,75 kW	1,1 kW	2,2 kW
Air Volume					
Pre and after suction	6400 m ³	10600 m ³	10600 m ³	11000 m ³	15000 m ³
Weight	1610 kg	1935 kg	2140 kg	2310 kg	3035 kg
Freight volume 11 m ³	11 m ³	15 m ³	17 m ³	22 m ³	25 m ³

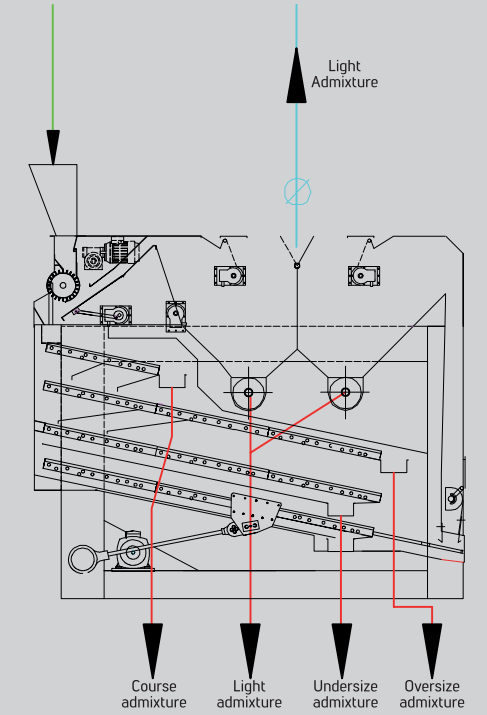
AKYUREKEXCELL 242



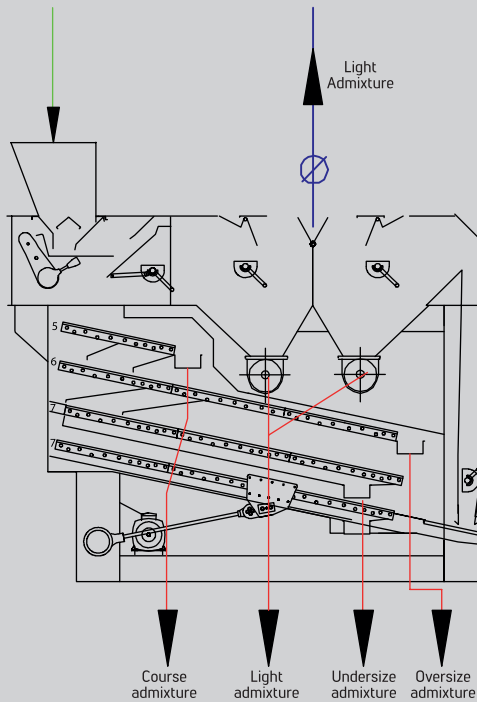
AKYUREKEXCELL 243



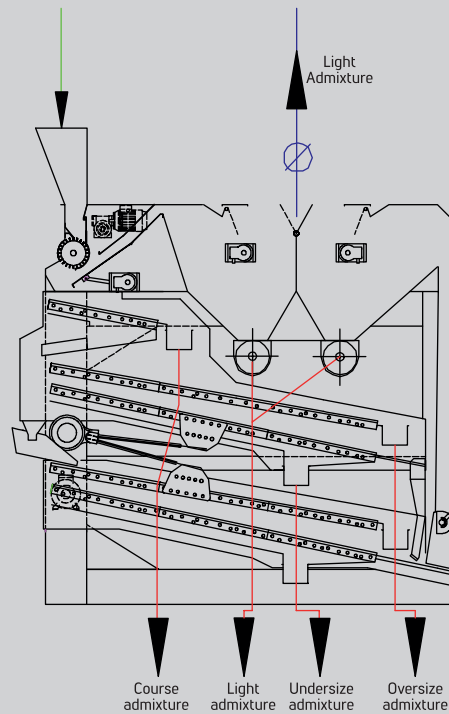
AKYUREKEXCELL 244



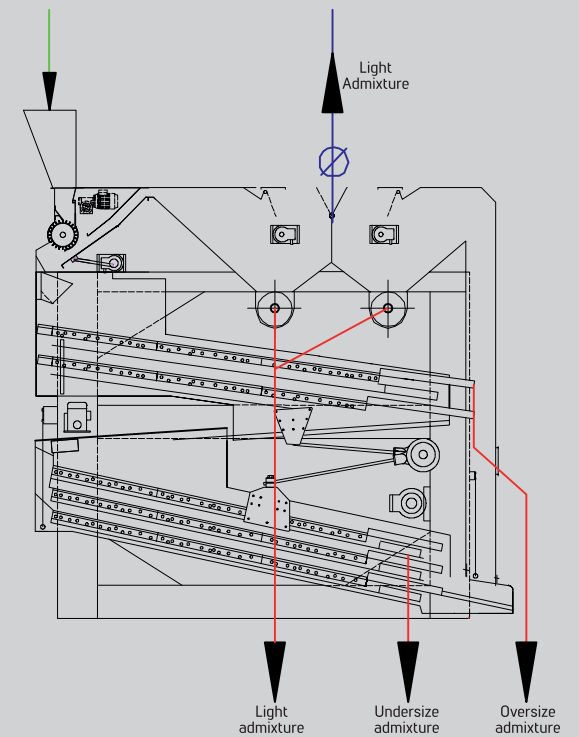
AKYUREKEXCELL 244.1



AKYUREKEXCELL 245



AKYUREKEXCELL 246



AKYUREKEXCELL 260 MEGA SERIES

Akyurek Mega Cleaner 260 Series has been developed for high capacity in pre cleaning and grading of grain, peas, rape seed and fine cleaning of grain and malting barley. The machine's large screen area with its accurately matched stroke and frequency is completed by Akyurek's highly efficient pre- and after suction system

Full-Width Shaker Feeder

- Has infinitely variable adjustment of the feed capacity via a separate control panel
- Ensures uniform flow over the entire width of the screen
- Considerably improves air cleaning, since the product hits the pre-suction area in a uniform manner

Pre and After Suction System

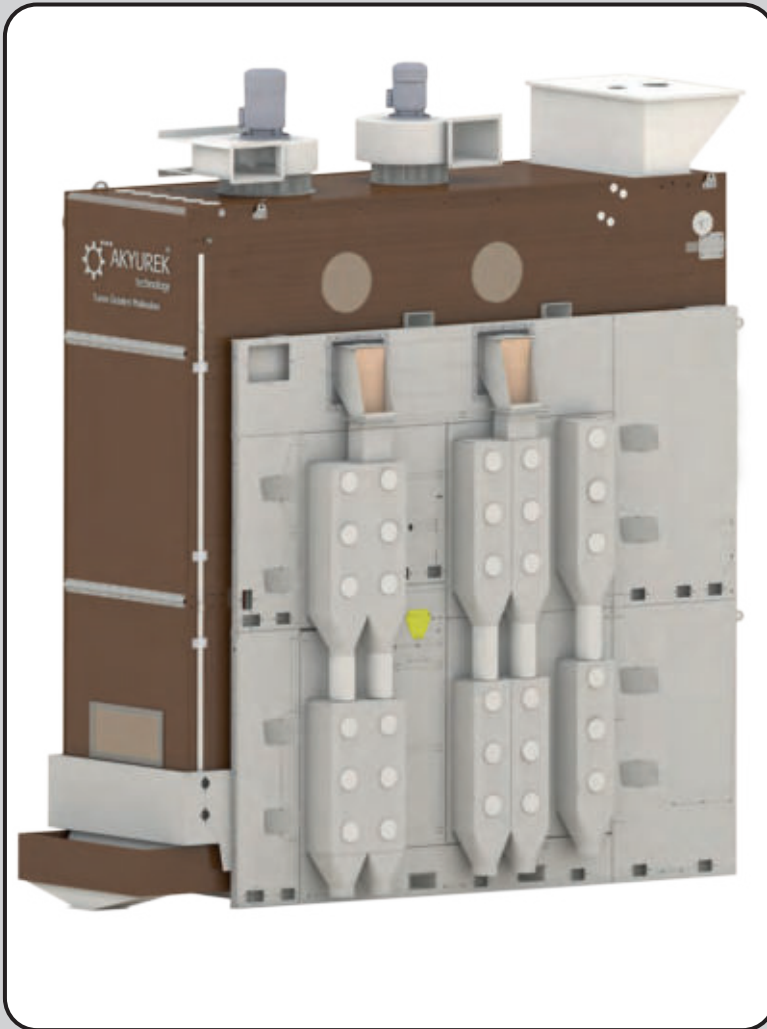
- Has an adjustable capacity shutter in combination with infinitely variable speed control of the feed roller, which controls the feed capacity
- Is not affected by lightweight waste material and large impurities such as stones, etc.
- Has a built-in spring-loaded safety device which protects the feed roller against damage

Screw conveyor outlet for lightweight waste

- Ensures continuous discharge of dust and waste from the air system via screw conveyors
- Has finger flaps to ensure optimal dust separation in the expansion chamber by preventing false air from entering the chamber.

Distributor

- Ensures 50% distribution of the grain flow via the top and bottom screen boxes respectively
- 50% and 33% distributors ensure distribution of the grain flow in each screen box between various screen rows



Ball Box

- Ensures efficient cleaning of sieves by means of rubber balls
- Can maintain the cleaning effect at extremely low temperatures as the rubber balls are cast in a very suitable material
- Is cast solid so that it prevents stuck seeds etc. (self-cleaning)
- Is separately mounted in the screen shoes which ensures a quick change of sieves without removing the ball boxes.

Balanced eccentric system

- Is fitted with counter weights that ensure smooth running
- Results in minimum stress on buildings and steel structures
- Is fitted with »heavy duty« bearings
- Ensures maximum utilization of the cleaning effect of the screens owing to carefully matched stroke and speed of rotation

Access To The Screens

- The access hatches have snap action locks
- The hatches are small and hinged at the bottom
- Rapid changing of screens

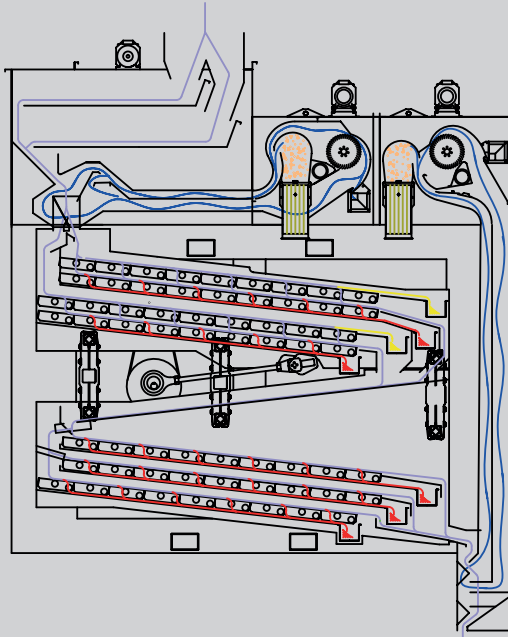
Technical Data & Capacity Chart

	Screen area m ² / FT ²	Cereals							Legumes			Total weight kg / LB	Freight volume m ³ / FT ³	Air volume m ³ / CFM	Dynamic load Newton at 4,6-4,8 Hz
		Wheat, rye, sorghum	Barley	Oats	Maize	Raw rice	White rice	Soyabeans	Peas	Rape seed					
Mega 262	38 / 408,5	Precleaning max. 20% moisture	100	100	90	100	75	80	80	80	90	8400 / 18,515	50 / 538,5	4800 / 2880	PH600/ PV7500
		Malting barley max. 15% moisture		60											
		Malt. max. 4% moisture		65											
		Industrial cleaning max. 15% moisture	75	75	60	75	60	80	80	80	60				
		Rape seed 98% max. 9% moisture									90				
		Seed max. 15% moisture	50	50	40	40	25		40	40	40				
Mega 266	10,8 / 1161	Precleaning max. 20% moisture	120	120	100	120	80	100	100	100	100	7000 / 5430	46 / 495,2	4500 / 2700	PH1400/P V1700
		Malting barley max. 15% moisture		15											
		Malt. max. 4% moisture		80											
		Industrial cleaning max. 15% moisture	100	100	80	100	60	80	80	80	80				
		Rape seed 98% max. 9% moisture									40				
		Precleaning max. 20% moisture	240	240	200	240	160	200	200	200	200				
Mega 267	21,6 / 2327	Malting barley max. 15% moisture		30								9200 / 20280	50 / 5385	4800 / 2880	PH1200/P V4000
		Malt. max. 4% moisture		160											
		Industrial cleaning max. 15% moisture	200	200	160	200	120	160	160	160	160				
		Rape seed 98% max. 9% moisture									80				
		Precleaning max. 20% moisture	360	360	300	360	240	300	300	300	300				
		Malting barley max. 15% moisture		45											
Mega 268	32,4 / 348,3	Malt. max. 4% moisture		240								11400 / 25125	85 / 915	5000 / 3000	PH800/PV7500
		Industrial cleaning max. 15% moisture	300	300	240	200	200	240	240	240	240				
		Rape seed 98% max. 9% moisture									90				

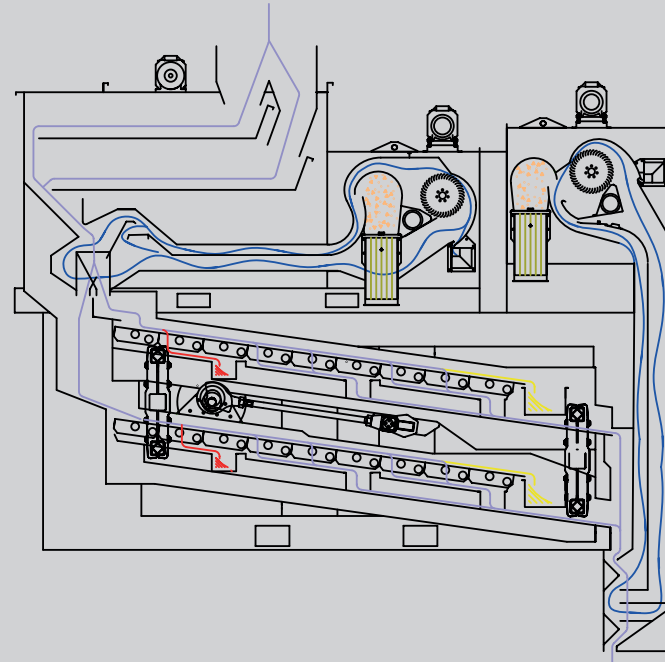
All capacities are indicated in tons per hour

→ Seed Separators → Screen Cleaners → Pre-Cleaners → Akyurekexcell 260 Mega Series

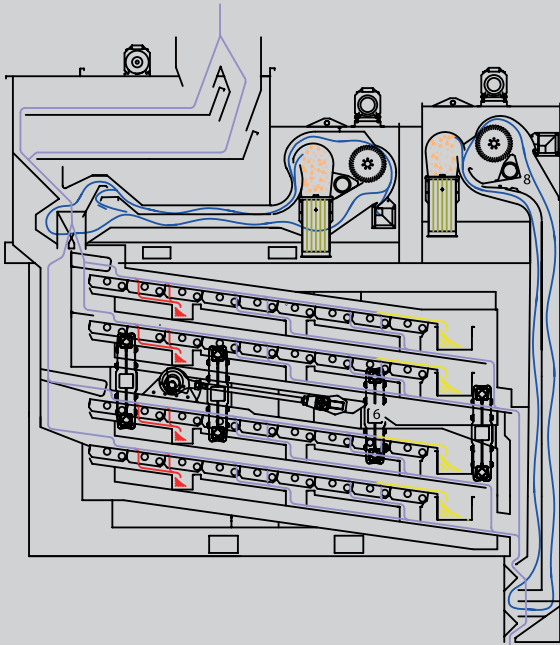
AKYUREKEXCELL 262



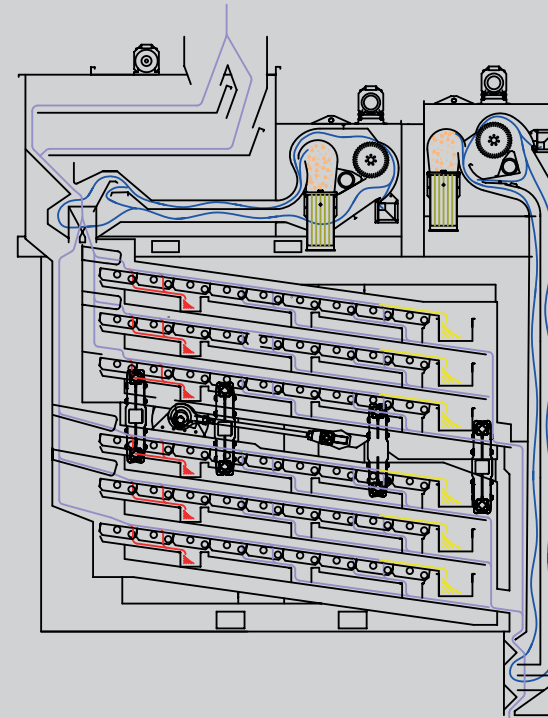
AKYUREKEXCELL 266



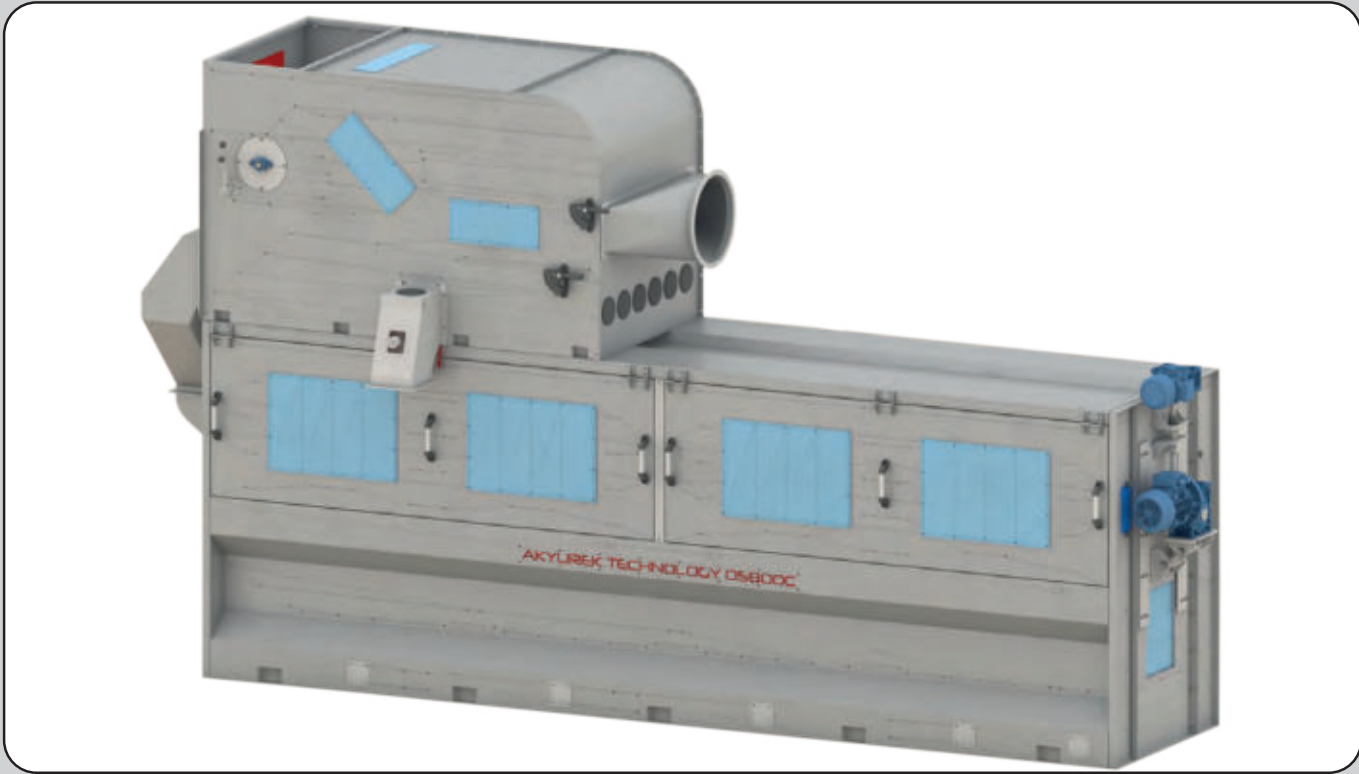
AKYUREKEXCELL 267



AKYUREKEXCELL 268



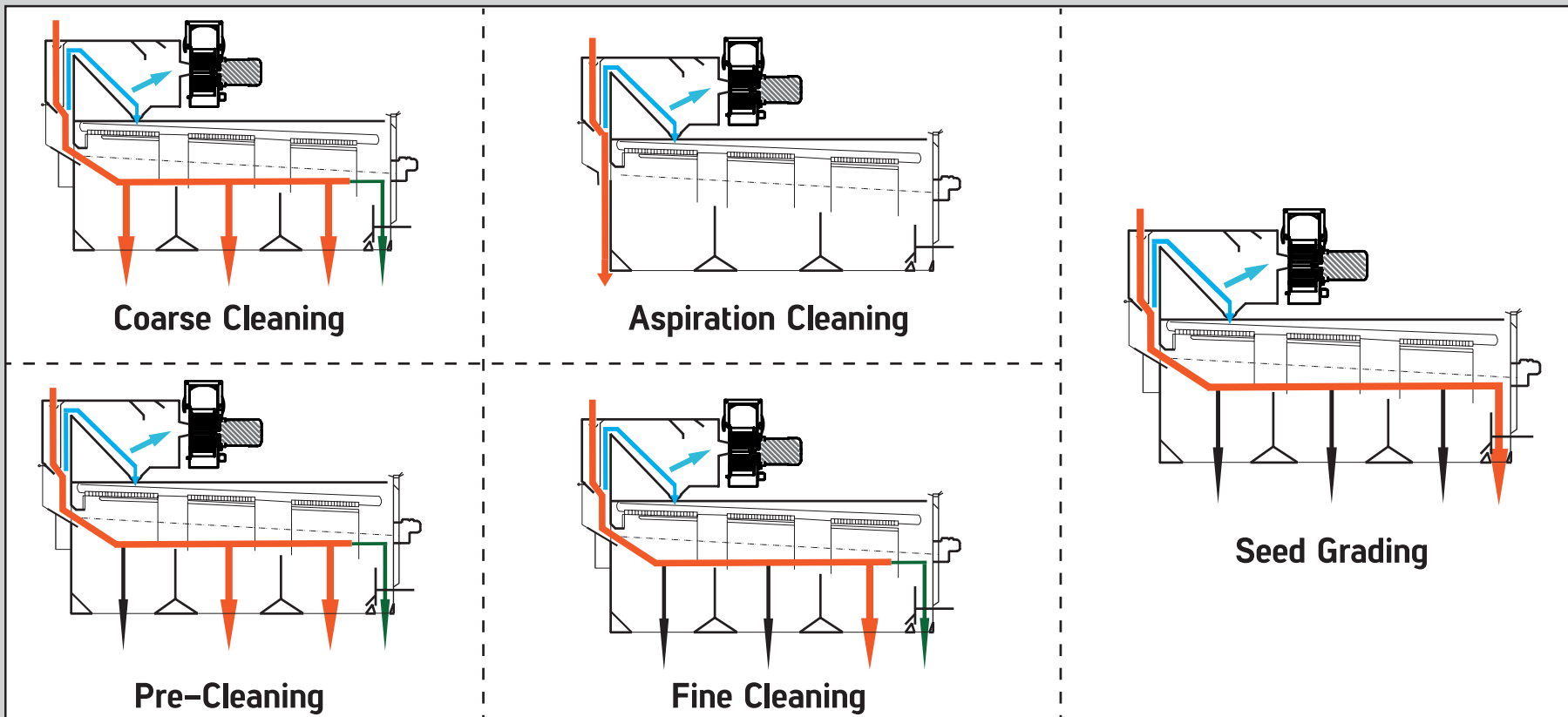
→ Seed Separators → Screen Cleaners → Pre-Cleaners → Rotary Drum Seed Cleaner



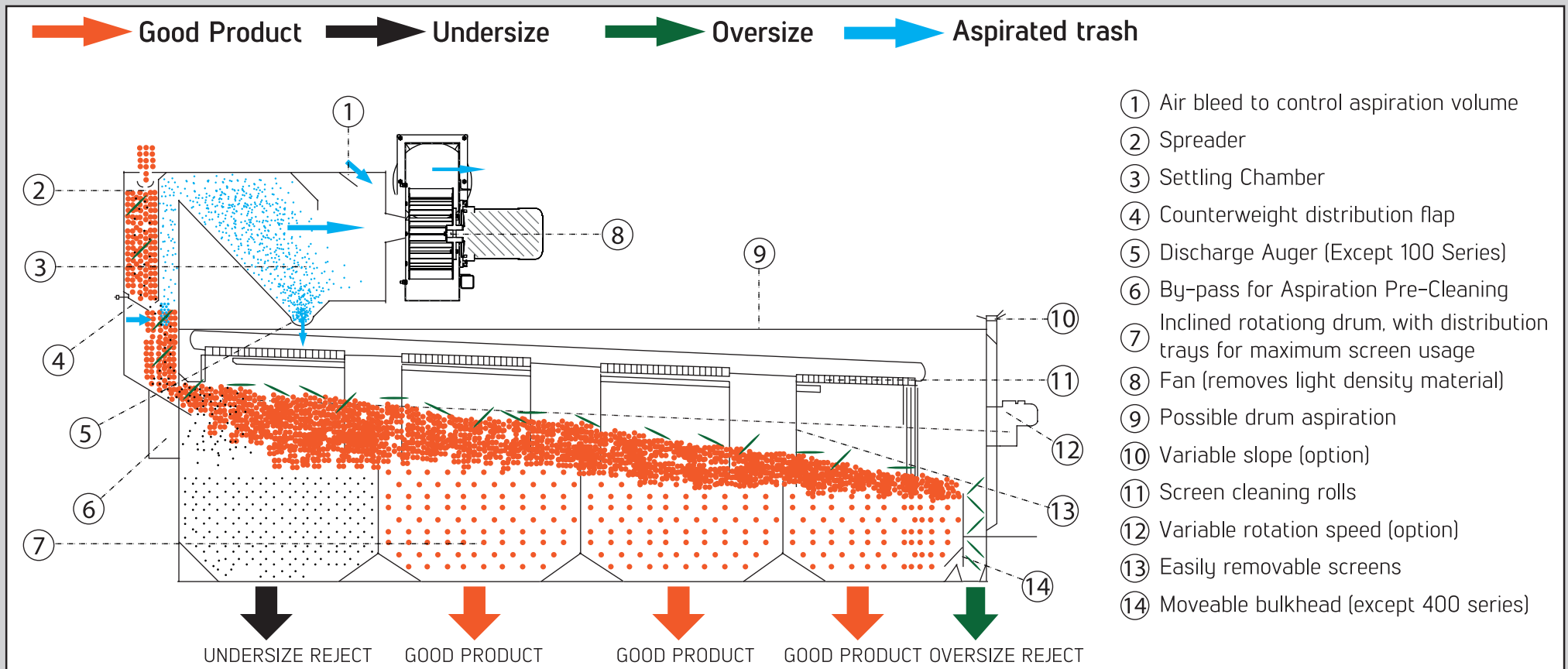
ROTARY DRUM SEED CLEANER RDSC

Seed Cleaning; Rotary Drum Cleaner consists of an aspiration system followed by a rotary perforated drum screens. Seed passes through aspiration system to separate light impurities, then screening task occurs on designated perforated screens as required operation and undersize admixtures separated and oversize admixtures separated at the end of the drum.

Seed Grading; Rotary Drum Cleaner consists of an aspiration system or it can be supplied without aspiration system if not required for Seed Grading purpose. Seed passes through aspiration system to separate light impurities (if aspiration system supplied) then screening task occurs on designated perforated screens as required operation and undersize sizes/grades separated in the drum.



→ Seed Separators → Screen Cleaners → Pre-Cleaners → Rotary Drum Seed Cleaner



Model	Number of Screens	Drum Diameter (mm)	CAPACITY				Dimensions (mm)			Drum Drive Motor
			Asirating Pre Cleaning* TPH	Course Pre Cleaning* TPH	Cleaning* TPH	Grading* TPH	Length	Width	Height	
RDSC-102	2	550 Ø	-	4,5	3,5	1	1800 mm	650 mm	800 mm	1,1 kW
RDSC-103	3	550 Ø	-	6	5	1,5	2300 mm	650 mm	800 mm	1,1 kW
RDSC-104	4	550 Ø	-	8	7	3	2800 mm	650 mm	800 mm	1,1 kW
RDSC-203	3	650 Ø	40	30	15	4	3100 mm	850 mm	1300 mm	1,1 kW
RDSC-204	4	650 Ø	40	35	25	6	3800 mm	850 mm	1300 mm	1,1 kW
RDSC-303	3	850 Ø	90	70	50	8	4600 mm	1000 mm	1700 mm	2,2 kW
RDSC-304	4	850 Ø	90	90	70	12	5700 mm	1000 mm	1700 mm	2,2 kW
RDSC-403	3	1300 Ø	250	200	110	14	5100 mm	1550 mm	2300 mm	3 kW
RDSC-404	4	1300 Ø	250	250	200	20	6250 mm	1550 mm	2300 mm	4-5,5 - 7,5 kW
RDSC-405	5	1300 Ø	250	250	200	25	7300 mm	1550 mm	2300 mm	5,5 - 7,5 kW

*T/H, Guide only, based on wheat with density 750 kg/m³ and 2% impurities



DRUM SIEVE SEED PRE-CLEANER AKDS-1000

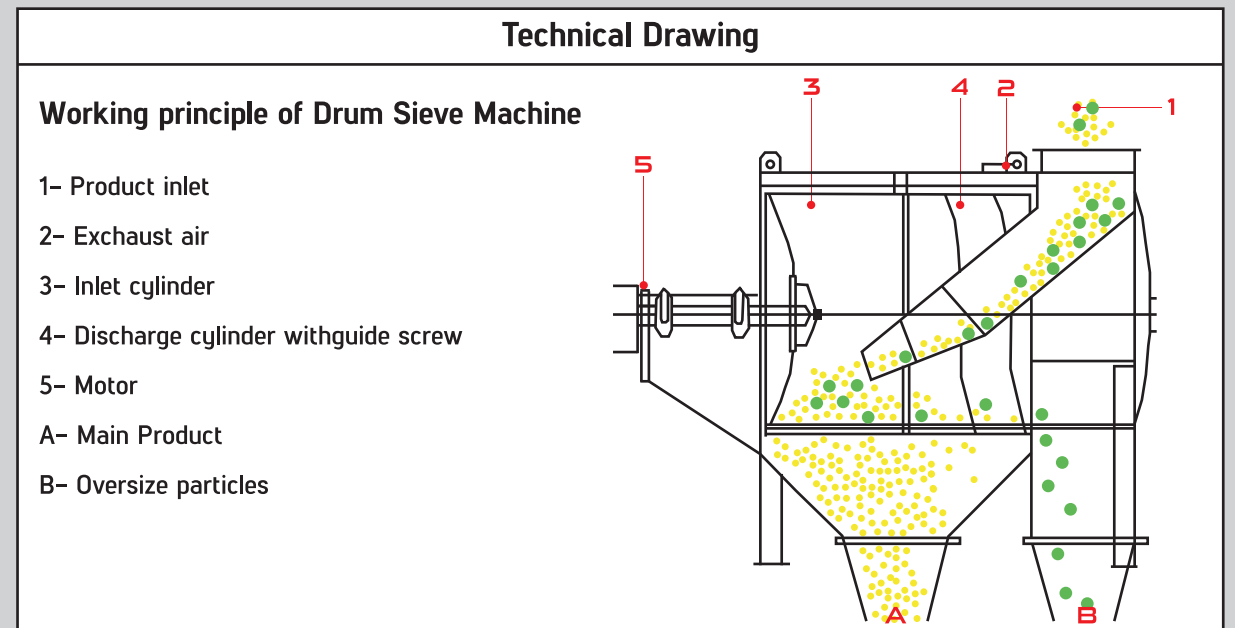
Efficient pre-cleaning machine for high in put capacities. Pre-cleaning process decreases the maintenance requirements of the machines but also gives high quality of cleaning products. Drum sieve efficient at removing over and undersize impurities such as pieces of wood, stone etc.. from product. This makes it necessary to have drum sieve machine in input section of seeds storage and transfer facilities or in rocessing lines. The different drum screens sizes available from 10 to 60 mm.

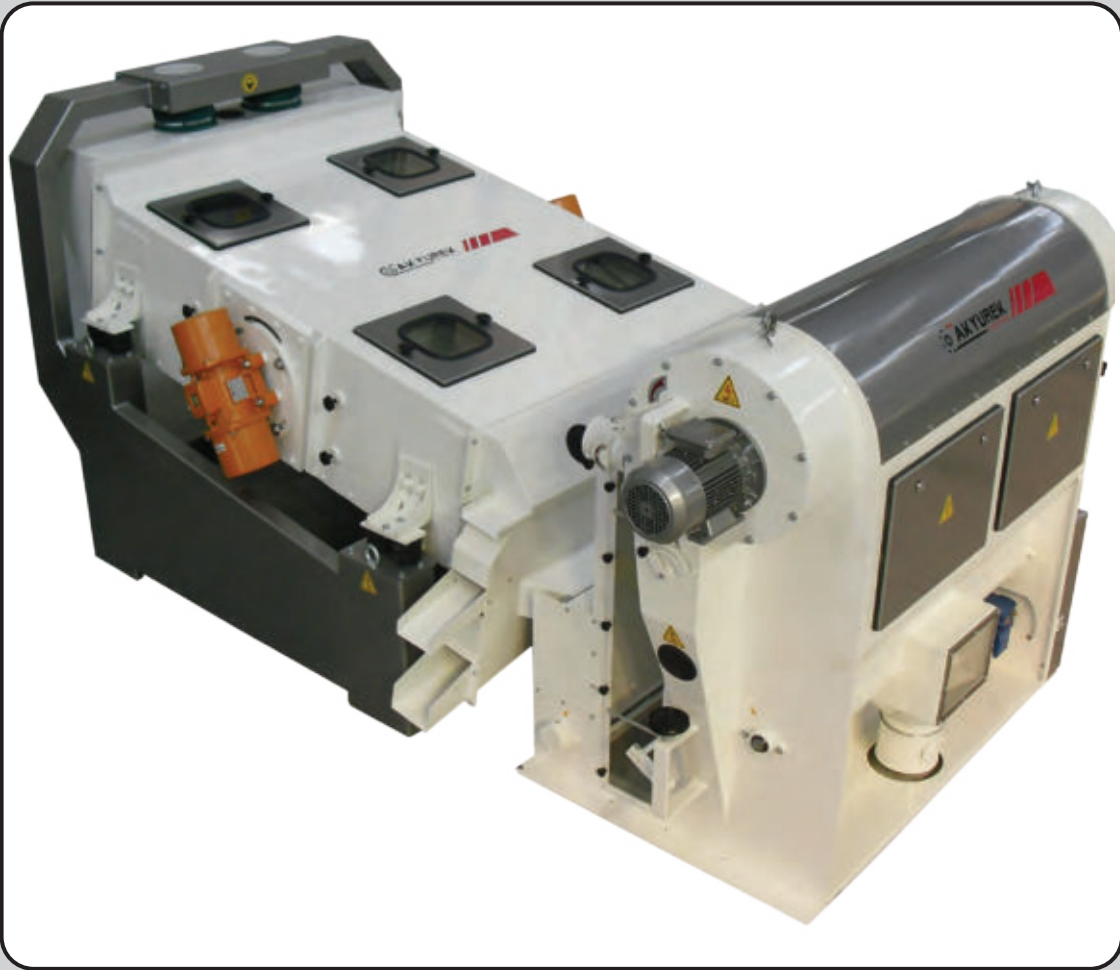
All movable components are enclosed and this provides effective protection to operating personnel. Confidential pre-cleaning process with the drum sieving machine avoids damages to downstream processing machinery. This improves the operational dependability of the entire production plant.

The use of high quality components makes the machine highly resistant to wearing down. So that decreases maintenance requirements and increases the machine's service life.

The overhanging screening drum gives quick and easy replacement of screen. Enclosed design of the machine and the aspiration vent ensures that area around the machine also remains clean at all times.

Technical Data		
MODEL		
AKDS-1000		
In Put Cleaning Capacity	Plant Pre-Cleaning	5-15 t/h
	Storage Pre-Cleaning	upto 200 t/h
Overall Dimensions	A (mm)	1000
	B (mm)	2000
	C (mm)	1500
	D (mm)	180
Air Volume	3,00	
Weight	360 (kg)	





VIBRATORY SIEVE SEED PRE-CLEANER C.SAS.013

The modern desing of the vibratory sieve separator allows it to achieve high quality cleaning at large capacities, Whillst having small overall dimensions and low power consumption. It used for to separate over and undersize impurities from granular materials.

OPERATION

The product is fed to the machine by means of supplied conveyor equipment and then moved to the front part of the sieve basket where the grain distribution device spreads the grain across the whole sieve width. The reciprocating movement caused by the vibratory motors, moves the stock downwards across the screen surface and at the same time effectively directs the grain into a vertical position to pass through the perforated screens.

The Akyurek C.SAS-013 has been designed to ensure that the stock moves more slowly down the sieve towards the outlet/tail end than at the inlet/head end. This results in ver talling stock lingering on the sieve, improving stock distribution and increasing sieve capacity.

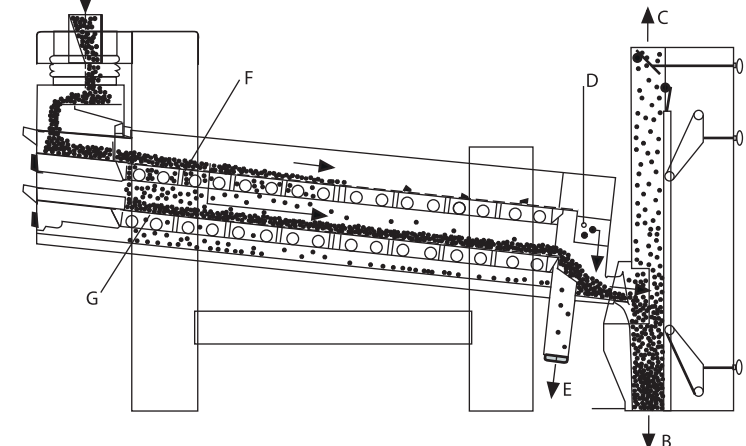
On the first sieve deck, impurities larger than cereal grain are separated and moved out if the machine. The throughs from the first sieve deck move to second sieve deck where impurities smaller than cereal grain are separated.

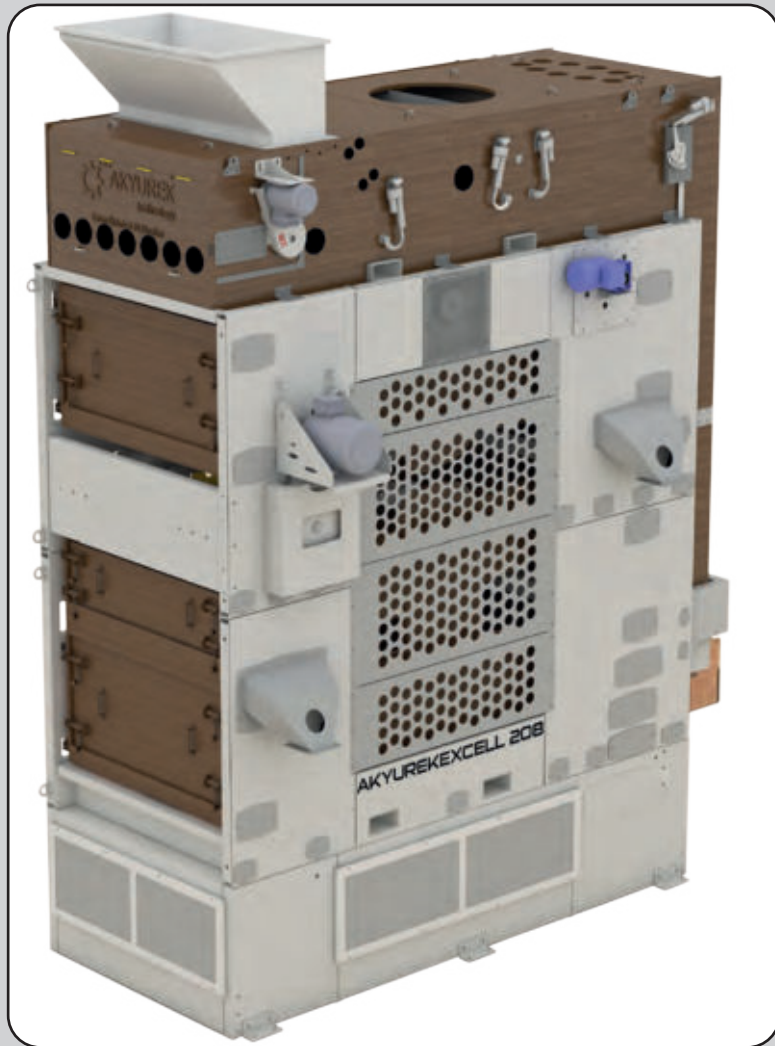
Technical Data & Capacity Chart

Models	In Put Cleaning Capacity		Sieve Size W x L (mm)	Air Volume Pneumatic Channel Cubic Mtr/h	Drives			
	Silo Pre-Clean t/h	Mill High Perf. t/h			Screen Deck (kW)		Pneumatic Channel (kW)	
C.SAS-013 100x200	58	15	1000x2000	4800	2 x 0,50	1500 rpm	4	1400 rpm
C.SAS-013 150x200	65	18	1500x2000	4800	2 x 0,75		4	

Technical Drawing

- A) Product Input
- B) Product Output Chute
- C) Aspiration Connection
- D) Oversize Output Chute
- E) Undersize Output
- F) Oversize Screen
- G) Undersize Screen





AKYUREKEXCELL 200 SERIES SUPER FINE SCREEN CLEANERS

Full-width Vibratory

- Has stepless adjustment of the feed rate by an inverter.
- Separate control panel ensures a uniform flow over the entire width of the sieve
- Is self-cleaning
- Improves the air cleaning considerably as the product hits the pre-suction area uniformly.

Pre and After Suction System

- Is built as separate systems to ensure a precise and independent air cleaning
- Separates the light particles before the material reaches the sieves
- Improves the cleaning effect and results in a higher capacity
- Ensures an excellent purity of the product due to the suction of light particles such as empty seeds, husks, dust etc. When the product leaves the cleaner via the air screen.

Change of Product Flow

- Makes many different product flows possible according to the capacity, product, number of fractions etc.
- By means of six different diagrams in the cleaner ensures excellent purity and minimum waste
- Is easily done by changing the size of the sieves and the position of the outlet trays

Perforated Screens

- Are available with round and long holes from 0,3 to 25,0mm
- Are also available as wire mesh screens are also available as screen plates with very little tolerance which ensures a minimum cleaning loss.
- Are available in a standard size of:
800 mm (L) x 1250 mm (B) = 1 m, which can be used in more than 80% of the Akyurek Excell program so the number of sieves needed is reduced.

Screenshoes of Birch Plywood

- Are moisture and insect resistant
- Are constructed with replaceable wear plates and sieve runners in exposed areas

Balanced Eccentric System

- Is fitted with counter weights ensuring steady running
- Involving minimum stress on buildings and steel structures
- Is fitted with "heavy duty" bearings

Ball Box

- Ensures efficient cleaning of sieves by means of rubber balls
- Can maintain the cleaning effect at extremely low temperatures as the rubber balls are cast in a very suitable material
- Is cast solid so that it prevents stuck seeds etc.(self-cleaning)

Air Lifting Channel

- Eliminates light seeds in the variable expansion chamber
- Through which husks, dust etc. are led with the airflow to the after suction system.
- Is available with an extra-large expansion chamber and centre outlet for special processes.

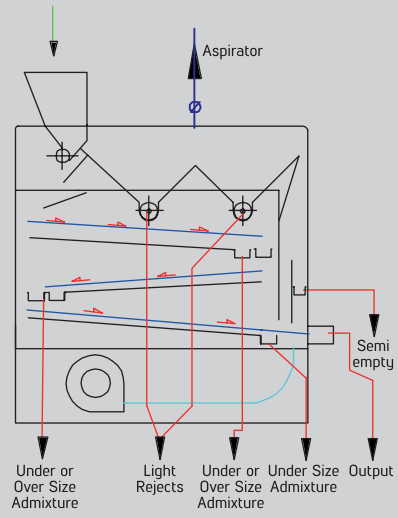
Screw Conveyor for Light Waste

- Ensures continuous discharge of dust and light waste from the air system via screws
- With finger flaps to ensure optimal dust separation in the expansion chamber by preventing false air from entering into the chamber

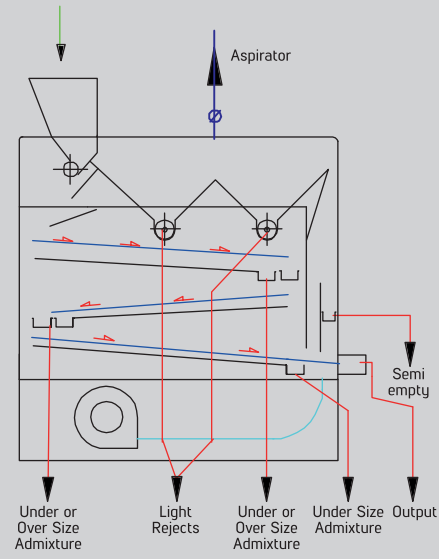
Technical Data & Capacity Chart

AKYUREKEXCELL 200 SERIES SUPER FINE SCREEN CLEANERS									
Screen Details	Type	201	202	204	205	206	207	208	209
	Screen Area m ²		0,96	3,0	7,0	10,0	15,0	18,0	24,0
Screen	Length cm	80	160	160	160	240	240	240	240
	Width cm	40	62,5	125	125	125	125	125	125
Num. of Screens		3	3	3,5	5	5	6	8	11
Counter Flow		1/1/1	1/1/1	0,5/1/1/1	2/1/2	2/1/2	2/1/3	3/2/3	4/3/4
Cereals	Wheat, Rye, Sorghum	0,20	2,5	5,0	7,5	12,0	20,0	25,0	30,0
	Barley	0,20	2,5	5,0	7,5	12,0	20,0	25,0	30,0
	Oat	0,10	2,0	4,0	6,0	9,0	16,0	20,0	24,0
	Maize	0,10	2,0	4,0	6,0	9,0	16,0	20,0	24,0
	Raw Rice	0,08	1,5	3,0	4,5	7,0	12,0	15,0	18,0
Legumes	White Rice	0,10	2,0	4,0	6,0	9,0	16,0	20,0	24,0
	Soyabean	0,08	2,0	4,0	6,0	9,0	12,0	15,0	18,0
	Pea	0,08	2,0	4,0	6,0	9,0	16,0	20,0	24,0
Other Products	Clover	0,04	0,5	1,0	1,6	2,2	3,5	5,0	6,5
	Ray Seeds	0,04	0,4	0,75	1,6	1,8	3,0	4,0	5,0
	Rape Seed	0,04	2,0	4,0	6,0	9,0	16,0	20,0	24,0
	Sunflower Seeds	0,04	1,0	2,0	3,0	4,5	8,0	10,0	12,0
	Sugar Beet	0,04	1,2	2,5	3,5	5,0	9,0	11,0	13,0
	Raw Coffee	0,08	2,0	4,0	6,0	9,0	16,0	20,0	24,0
Roasted Coffee	0,04	1,2	2,5	3,5	5,0	9,0	11,0	13,0	

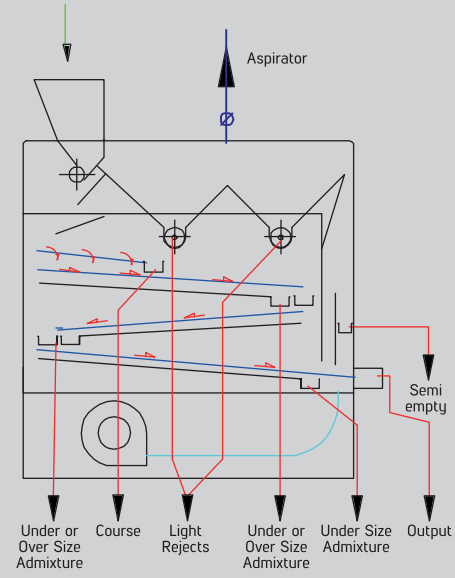
AKYUREKEXCELL 201



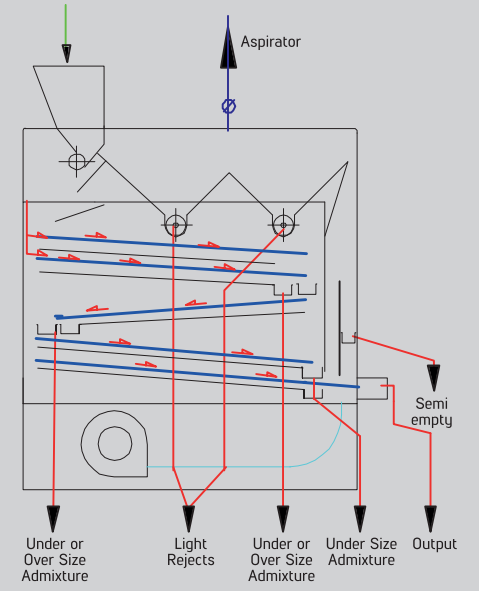
AKYUREKEXCELL 202



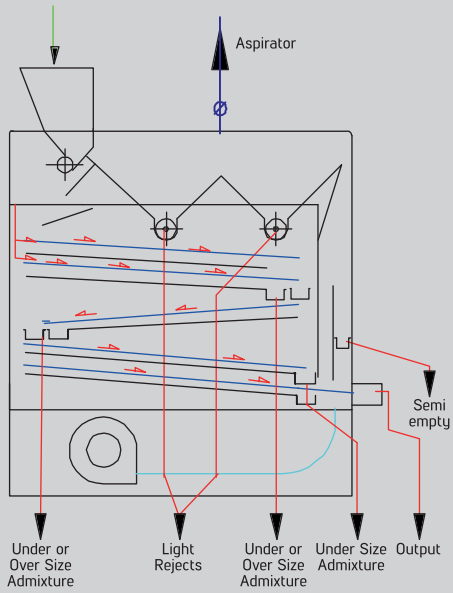
AKYUREKEXCELL 204



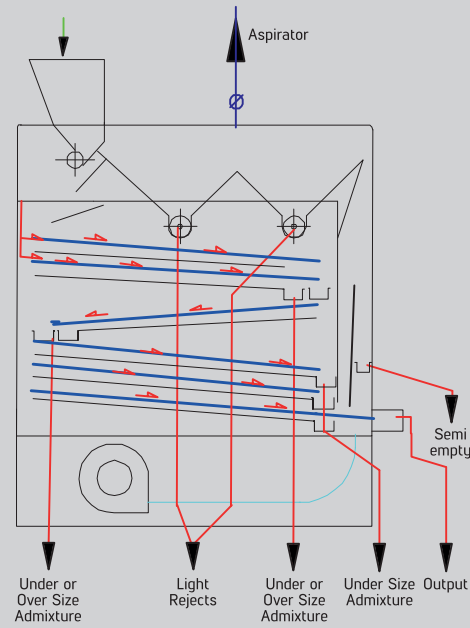
AKYUREKEXCELL 205



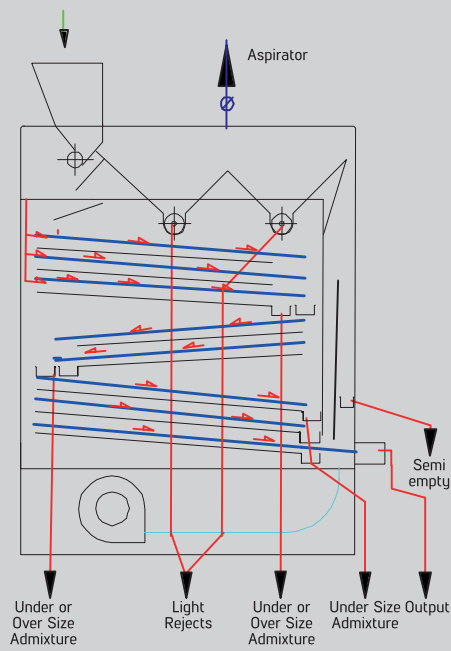
AKYUREKEXCELL 206



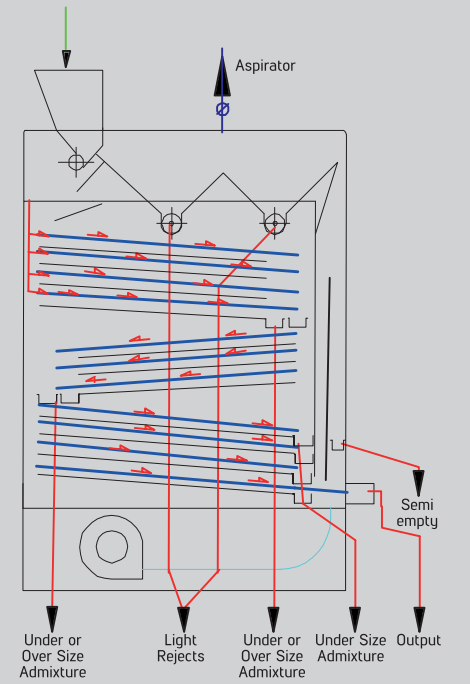
AKYUREKEXCELL 207



AKYUREKEXCELL 208



AKYUREKEXCELL 209





AKYUREK EXCELL 50 SERIES SUPER FINE SCREEN CLEANERS

Feed Roller with Built-in stirrer

- Ensures by means of the stirrer that no product build-up
- Is created in the inlet by light products such as grass seeds etc.
- Has feed gate which in combination with variable RPM control of the feed rate.

Pre & After Suction System

- Is built as separate systems to ensure a precise and independent air cleaning
- Separates the light particles before the material reaches the sieves
- Ensures an excellent purity of the product due to the suction of light particles such as empty seeds, husks, dust etc.

Screen shoes of Birch Plywood

- Are moisture and insect-resistant
- Are constructed with replaceable wear plates and sieve runners in exposed areas
- Give less resonance owing to the birch plywood and thus a better working environment is obtained

Ball Box

- Ensures efficient cleaning of sieves by means of rubber balls
- Can maintain the cleaning effect at extremely low temperatures as the rubber balls are cast in a very suitable material
- Is separately mounted in the screen shoes which ensures a quick change of sieves without removing the ball boxes

Air Lifting Sieve Screen

- Serves to convey the product through the air flow to ensure elimination of light particles
- Forces the product through under passage to turn its biggest surface against the air flow in order to obtain optimal separation
- Is constructed with adjustable air lifting hood over the air lifting sieve, which ensures optimal collecting up of the discarded light particles

Screw Conveyor for Light waste

- Ensures continuous discharge of dust and light waste from the air system via screws.
- With finger flaps to ensure optimal dust separation in the expansion chamber by preventing false air from entering into the chamber.

Air Lifting Unit

- Is capable by means of staggered fans and air guides of giving a completely uniform air pressure from beneath the product when it leaves the cleaner
- Ensures a complete blow through of the product which causes an elimination of light seeds, husks, straw and dust
- With specially designed impellers ensuring low noise level

Balanced Eccentric System

- Is fitted with counter weights ensuring steady running
- Involving minimum stress on buildings and steel structures
- Is fitted with "heavy duty" bearings

Easy To Operate

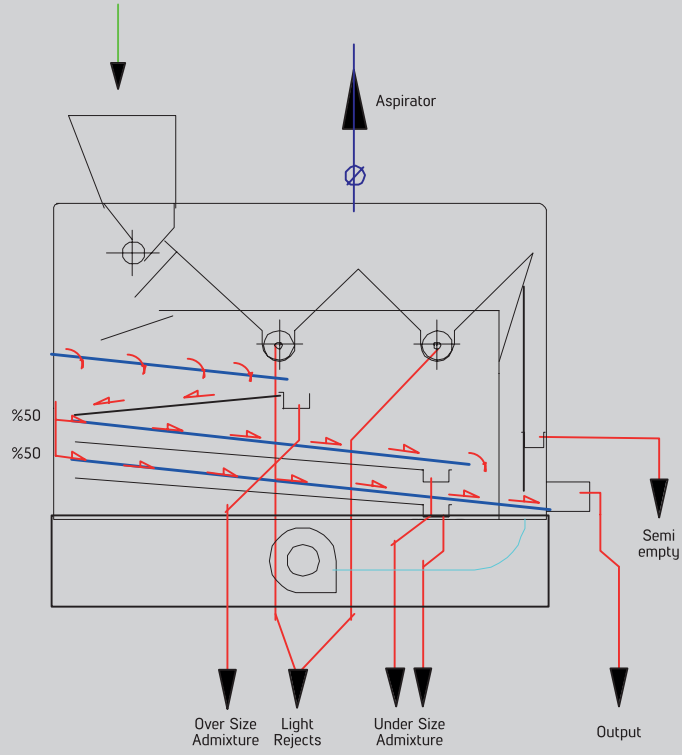
- Because all adjustments are placed at a suitable height
- Owing to adjustments with scales for quick and precise re-adjustment
- Since all operating handles are placed on the same side as the outlets

Finished Product of a High Quality

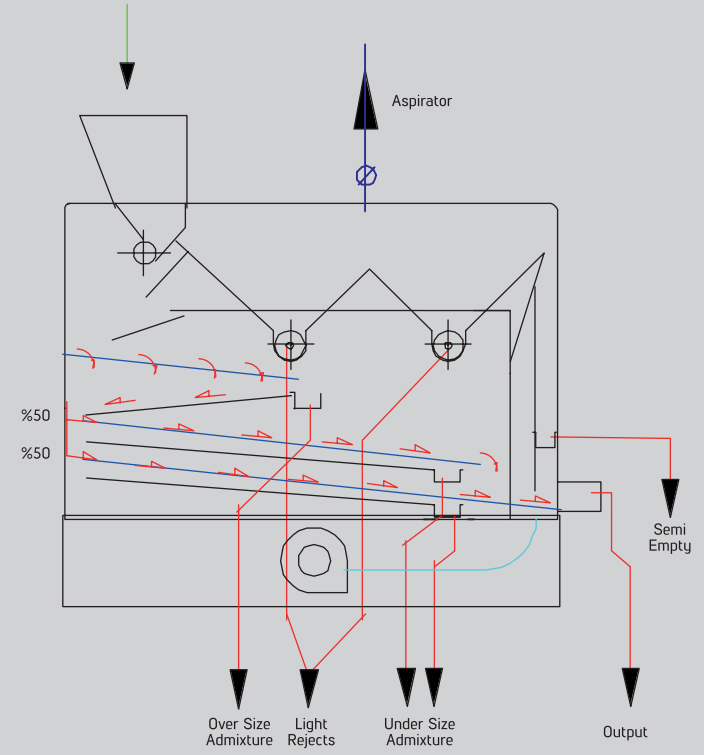
- Is clearly illustrated by the difference between the cleaned seed/product and the discarded light product on the air lifting system.
- Reduces in many cases the size of the subsequent processing machines

Technical Data & Capacity Chart					
Fine-Cleaner EXCELL 50	UQM	51	52	53	54
Over Size Screen LxW	mm	80x80	125x80	125x80	150x160
Undersize Screen LxW	mm	80x160	125x160	125x160	150x240
Undersize Screen LxW	mm	80x160	125x160	125x160	150x240
Screen Area	m ²	3,2	5	7	9,6
Motor. Feed Roller	kW	0,55	0,55	0,55	0,55
Motor. Eccentric	kW	1,5	2,00	2,00	3,00
Motor. Air Lifting	kW	1,5	2,00	2,00	2,00
Capacity on Wheat	Tn/Hr	2,0-3,0	3,0-4,0	4,0-5,0	7,5-10,0
Capacity on Paddy	Tn/Hr	1,0-2,0	2,0-3,0	3,0-4,0	4,0-6,0

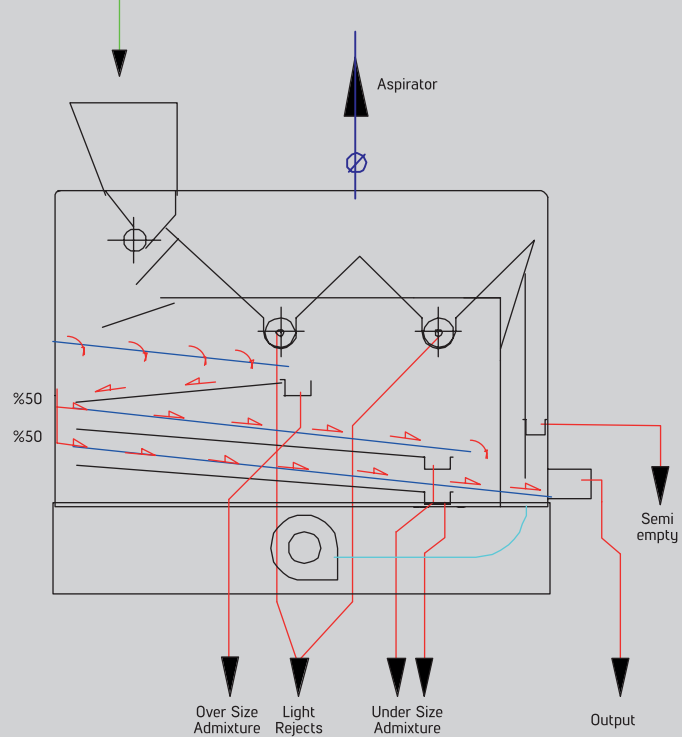
AKYUREKEXCELL 51



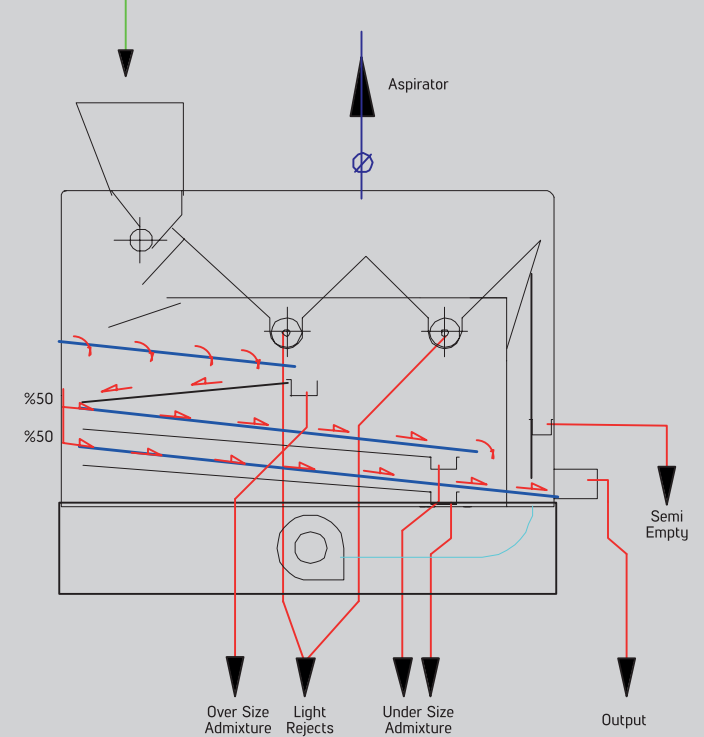
AKYUREKEXCELL 52



AKYUREKEXCELL 53



AKYUREKEXCELL 54





AKYUREKEXCELL 210 SERIES FINE SCREEN CLEANERS

Compared to the 220 Series but extended with an efficient pre and after suction system, a minimum for high quality cleaning of leguminous seed, malting barley, seed grains etc.

Pre & After Suction System

- Is built as separate systems to ensure a precise and independent air cleaning.
- Separates the light particles before the material reaches the sieves.
- Improves the cleaning effect and results in a higher capacity.

Alternative Pre- and After Suction System

- Reduces the need for external air to 20% compared to traditional systems.
- Can be connected to existing central aspiration systems due to the small air volume.

Screw Conveyor For Light waste

- Ensures continuous discharge of dust and light waste from the air system via screws.
- With finger flaps to ensure optimal dust separation in the expansion chamber by preventing false air from entering into the chamber.

Balanced Eccentric System

- Is fitted with counter weights ensuring steady running
- Involving minimum stress on buildings and steel structures
- Ensures maximum utilisation of the cleaning effect of the sieves owing to accurately attuned stroke and RPM.

Change of Product Flow

- Makes many different product flows possible according to the capacity, product, number of fractions
- Is easily done by changing the size of the sieves and the position of the outlet trays.

Akyurek Excell Sieves for all Purposes

- Are available with round and long holes from 0,3 to 25,0mm
- Are available in a standard size of: 800 mm (L) x 1250 mm (B) = 1 m. which can be used in more than 80% of the Akyurek Excell programme so the number of sieves needed is reduced.

Ball Box

- Can maintain the cleaning effect at extremely low temperatures as the rubber balls are cast in a very suitable material.
- Is separately mounted in the screen shoes which ensures a quick change of sieves without removing the ball boxes.

Full-width Vibratory

- Has stepless adjustment of the feed rate by a.
- Improves the air cleaning considerably as the product hits the pre-suction area uniformly.

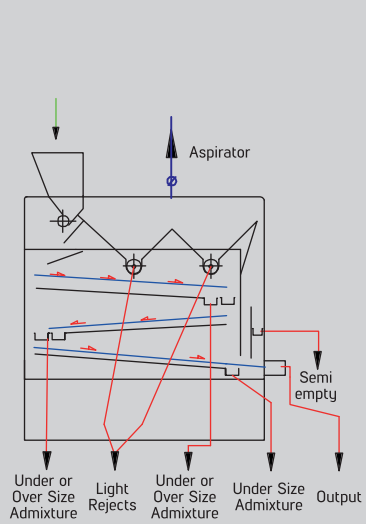
Feed Roller with Built-in Stirrer

- Has feedgate which in combination with variable RPM control of the feed rate.
- Et of the stirrer that no product build-up.
- Is created in the inlet by light products such as grass seeds etc. Is in sensitive to light waste material and large impurities such as stones etc.

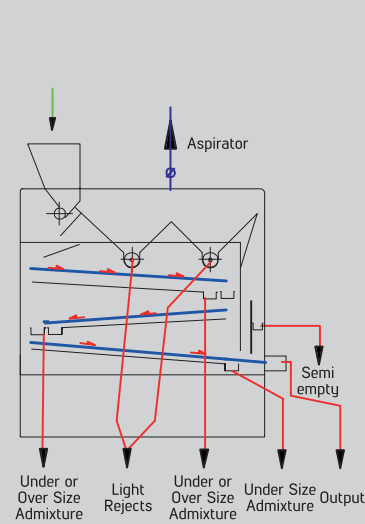
Technical Data & Capacity Chart

AKYUREKEXCELL 210 SERIES SUPER FINE SCREEN CLEANERS									
Screen Details	Type	211	212	214	215	217	218	219	
	Screen Area m ²		0,96	3,0	7,0	10,0	18,0	24,0	33,0
Screen	Length	cm	80	160	160	160	240	240	240
	Width	cm	40	62,5	125	125	125	125	125
Num. of Screens		3	3	3,5	5	6	8	11	
Counter Flow		1/1/1	1/1/1	0,5/1/1/1	2/1/2	2/1/3	3/2/3	4/3/4	
Cereals	Wheat, Rye, Sorghum	0,20	2,5	5,0	7,5	12,0	20,0	25,0	
	Barley	0,20	2,5	5,0	7,5	12,0	20,0	25,0	
	Oat	0,10	2,0	4,0	6,0	9,0	16,0	20,0	
	Maize	0,10	2,0	4,0	6,0	9,0	16,0	20,0	
	Raw Rice	0,08	1,5	3,0	4,5	7,0	12,0	15,0	
Legumes	White Rice	0,10	2,0	4,0	6,0	9,0	16,0	20,0	
	Soyabean	0,08	2,0	4,0	6,0	9,0	12,0	15,0	
	Pea	0,08	2,0	4,0	6,0	9,0	16,0	20,0	
Other Products	Clover	0,04	0,5	1,0	1,6	2,2	3,5	5,0	
	Ray Seeds	0,04	0,4	0,75	1,6	1,8	3,0	4,0	
	Rape Seed	0,04	2,0	4,0	6,0	9,0	16,0	20,0	
	Sunflower Seeds	0,04	1,0	2,0	3,0	4,5	8,0	10,0	
	Sugar Beet	0,04	1,2	2,5	3,5	5,0	9,0	11,0	
	Raw Coffee	0,08	2,0	4,0	6,0	9,0	16,0	20,0	
Roasted Coffee	0,04	1,2	2,5	3,5	5,0	9,0	11,0		

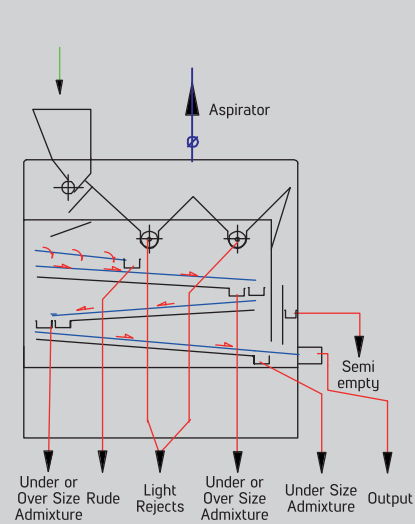
AKYUREKEXCELL 211



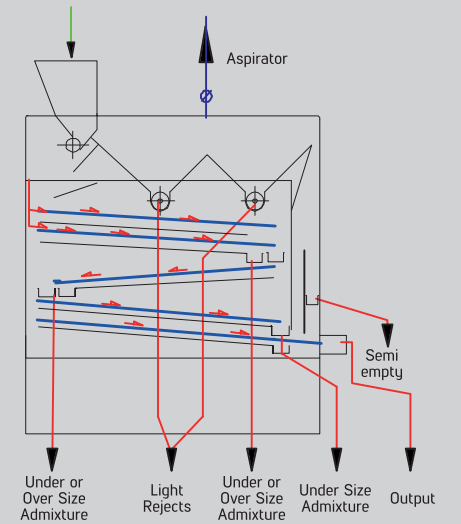
AKYUREKEXCELL 212



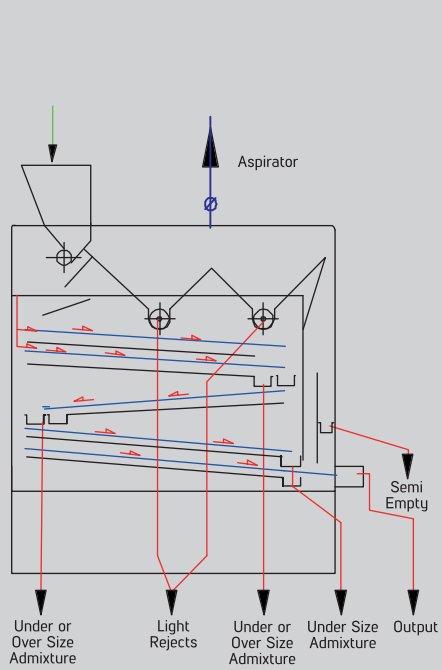
AKYUREKEXCELL 214



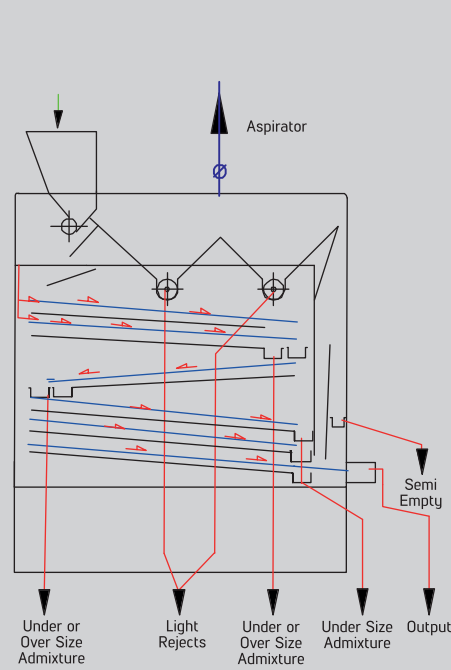
AKYUREKEXCELL 215



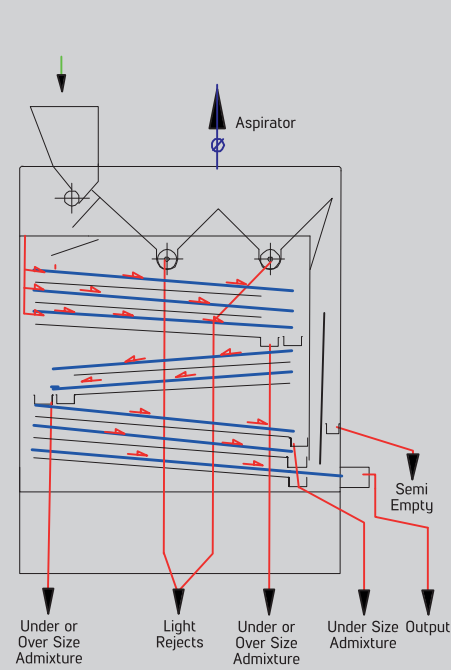
AKYUREKEXCELL 216



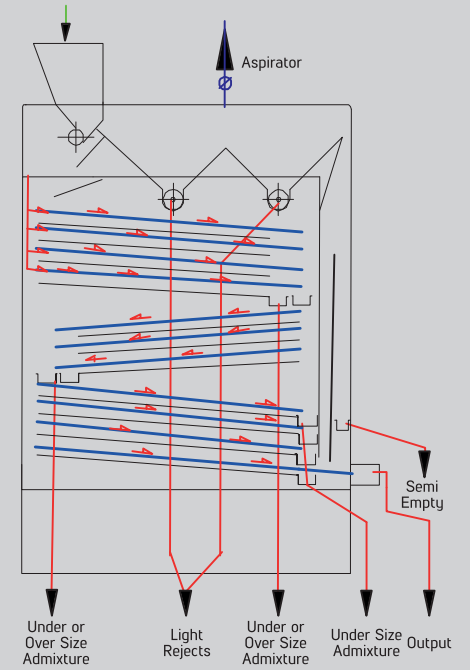
AKYUREKEXCELL 217



AKYUREKEXCELL 218



AKYUREKEXCELL 219



AKYUREKEXCELL 60 SERIES FINE SCREEN CLEANERS



Feed Roller width Built-in stirrer

- Ensures by means of the stirrer that no product build-up.
- Is created in the inlet by light products such as grass seeds etc.
- Is sensitive to light waste material and large impurities such as Stones etc.

Pre and After Suction System

- Is built as separate systems to ensure a precise and independent air cleaning.
- Separates the light particles before the material reaches the sieves.
- Improves the cleaning effect and results in a higher capacity.

Screen shoes of Birch Plywood

- Are constructed with replaceable wear plates and sieve runners in exposed areas.
- Have a long lifetime because the birch plywood easily tolerates the vibrations of the screen shoes.

Ball Box

- Ensures efficient cleaning of sieves by means of rubber balls.
- Can maintain the cleaning effect at extremely low temperatures as the rubber balls are cast in a very suitable material.
- Is cast solid so that it prevents stuck seeds etc.(self-cleaning).

Easy To Operate

- Because all adjustments are placed at a suitable height.
- Owing to adjustments with scales for quick and precise re-adjustment.
- Since all operating handles are placed on the same side as the outlets.

Finished Product of a High Quality

- Is clearly illustrated by the difference between the cleaned seed/product and the discarded light product on the air lifting system.
- Reduces in many cases the size of the subsequent processing machines.

Balanced Eccentric System

- Is fitted with counter weights ensuring steady running.
- Involving minimum stress on buildings and steel structures.
- Is fitted with "heavy duty" bearings.

Screw Conveyor for Light waste

- Ensures continuous discharge of dust and light waste from the air system via screws.
- With finger flaps to ensure optimal dust separation in the expansion chamber by preventing false air from entering into the chamber.

Perforated Screens for all Purposes

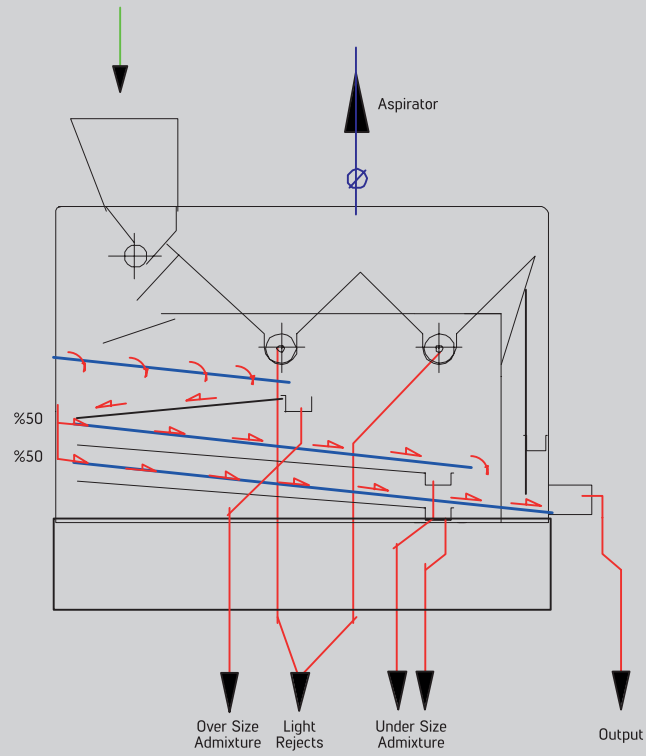
- Are available with round and long holes from 0,3 to 25,0mm.
- Are also available as wire mesh screens are also available as screen plates with very little tolerance which ensures a minimum cleaning loss.
- Are available in a standard size of: 800 mm (L) x 1250 mm (B) = 1 m, which can be used in more than 80% of the Akyurek Excell program so the number of sieves needed is reduced.

Air Lifting Sieve Screen

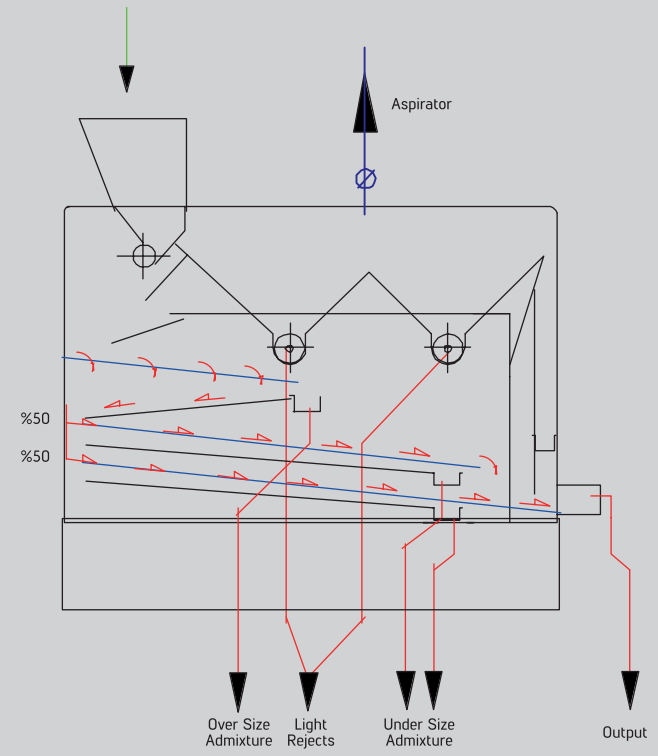
- Serves to convey the product through the air flow to ensure elimination of light particles.
- Forces the product through under passage to turn its biggest surface against the air flow in order to obtain optimal separation.

Technical Data & Capacity Chart					
Fine-Cleaner EXCELL 60	UQM	61	62	63	64
Over Size Screen LxW	mm	80x80	125x80	125x80	150x160
Undersize Screen LxW top	mm	80x160	125x160	125x160	150x240
Undersize Screen LxW bottom					
Screen Area	m ²	3,2	5	7	9,6
Motor. Feed Roller	kW	0,55	0,55	0,55	0,55
Motor. Eccentric	kW	1,5	2,00	2,00	3,00
Motor. Air Lifting	kW	1,5	2,00	2,00	2,00
Capacity on Wheat	Tn/Hr	2,0-3,0	3,0-4,0	4,0-5,0	7,5-10,0
Capacity on Paddy	Tn/Hr	1,0-2,0	2,0-3,0	3,0-4,0	4,0-6,0

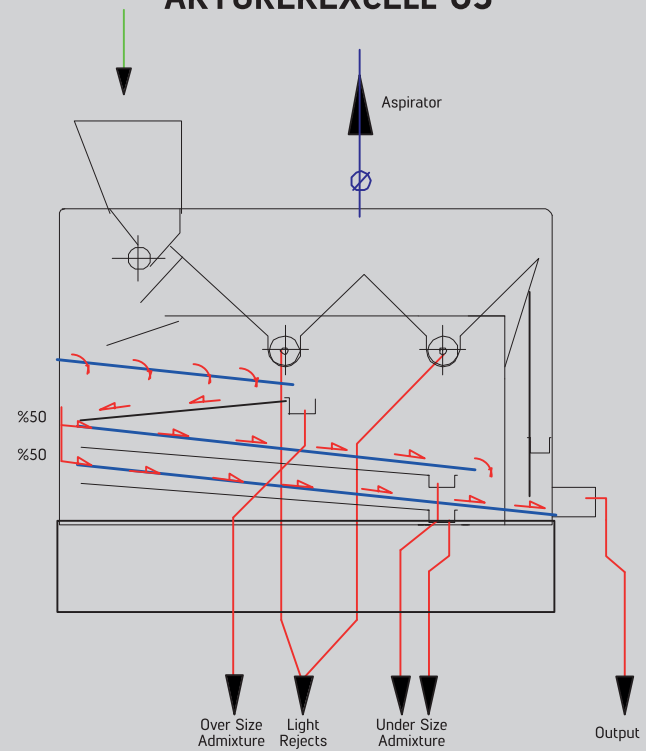
AKYUREKEXCELL 61



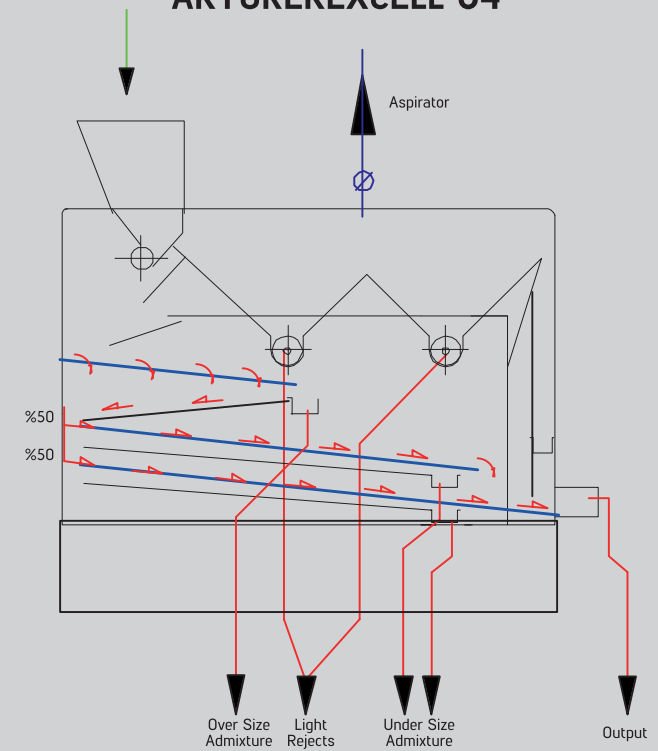
AKYUREKEXCELL 62



AKYUREKEXCELL 63



AKYUREKEXCELL 64





AKYUREK BRUSH TYPE FINE SCREEN CLEANERS 0.TEM-005

Work Principle

The product is poured into the inlet which has an adjustable feed gate. Whilst product is falling down through the vacuum chamber on screen, fine particles are separated, at pre-suction stage first of five. Screen with small perforation is deployed for separation of small impurities from product at the first deck.

Whilst the small impurity separation is carried out at the first deck at the same time vacuum chamber ensures a homogenous airflow with hand-operated adjustable our airlifting channels and air screens by sucking the light product up through the airlifting channel in to the vacuum chamber where these light impurities are discharge by screw conveyor from the chamber.

Seeds that is separated from small impurities and light impurities moves on to second screen that has large perforation (large than prime seed) which is deployed for large impurity separation from prime seed. Large impurities stay on top of screen and prime seeds fall through the perforation and leaves the machine from required side of the machine left or right hand side.

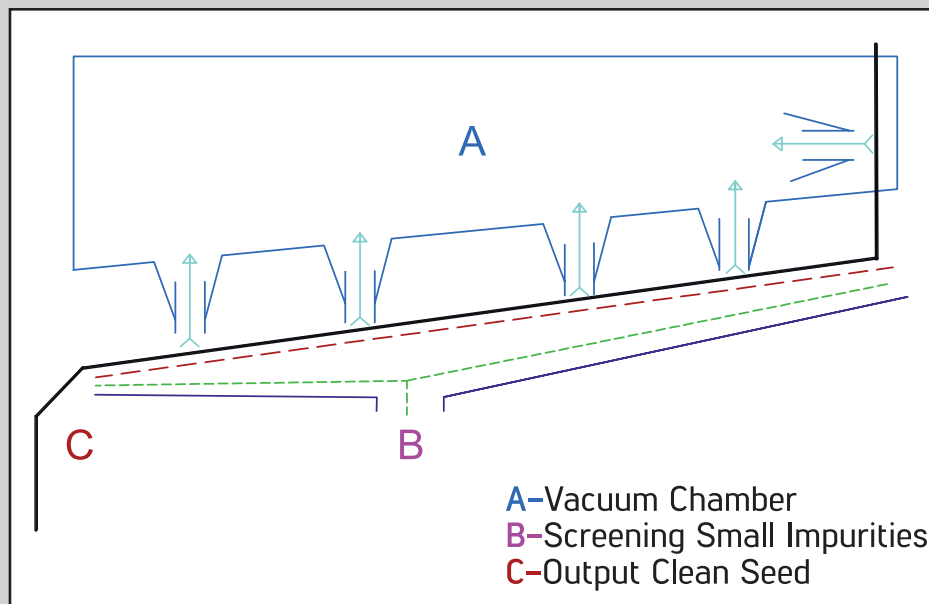
Single Deck Fine Screen Cleaner

-Single Deck Cleaner machine is for cleaning of all type of dr and granulated seeds from organic and non organic impurities.

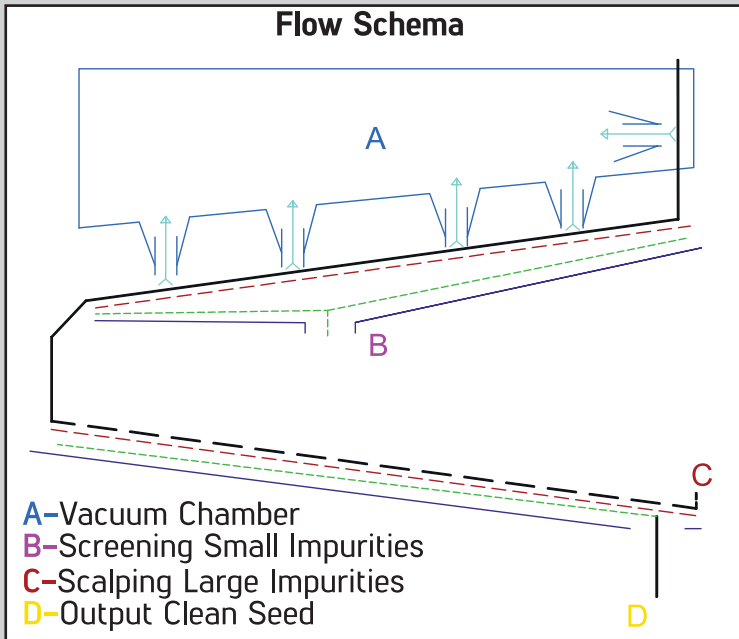
Single Deck Cleaner Machine can separate:

- Small impurities by means of screening / sieve.
- Light impurities by means of 5 times Air Screening.

Screen lay out would change the purpose and task.



Model	Single Deck Fine Cleaner	Two Deck Fine Cleaner	Three Deck Fine Cleaner
Technical Info	2	2	3
Air Consumption m ³ /h	12,600 m ³ /h	12,600 m ³ /h	12,600 m ³ /h
Adjustable Air Vacuum Channel Numbers	5	5	5
Number of times product exposed to vacuum	5	5	5
Screen Dimensions	1000*2000 mm	1000*2000 mm	1000*2000 mm
Screening Area	2 m ²	4 m ²	6 m ²
Screen Numbers	1	2	3
Total Number of Brushes	5	10	15
Screening Boats	1	2	3
Number of Motors	5	5	5
Total Power Requirement	6.3 kW	6.7 kW	7.1 kW
Standard Volt	380	380	380
Optional Volt	220-440	220-440	220-440
Weight	1550	1550	1760
Vibration	Eccentric	Eccentric	Eccentric



Two Deck Fine Screen Cleaner

- Two Deck Cleaner machine is for cleaning of all type of dry and granulated seeds from organic and non organic impurities.

Two Deck Cleaner Machine can separate:

- Large/course impurities and small impurities by means of screening/sieve.
 - Small impurities by means of screening / sieve.
 - Light impurities by means of 5 times Air Screening.
- Screen lay out would change the purpose and task.

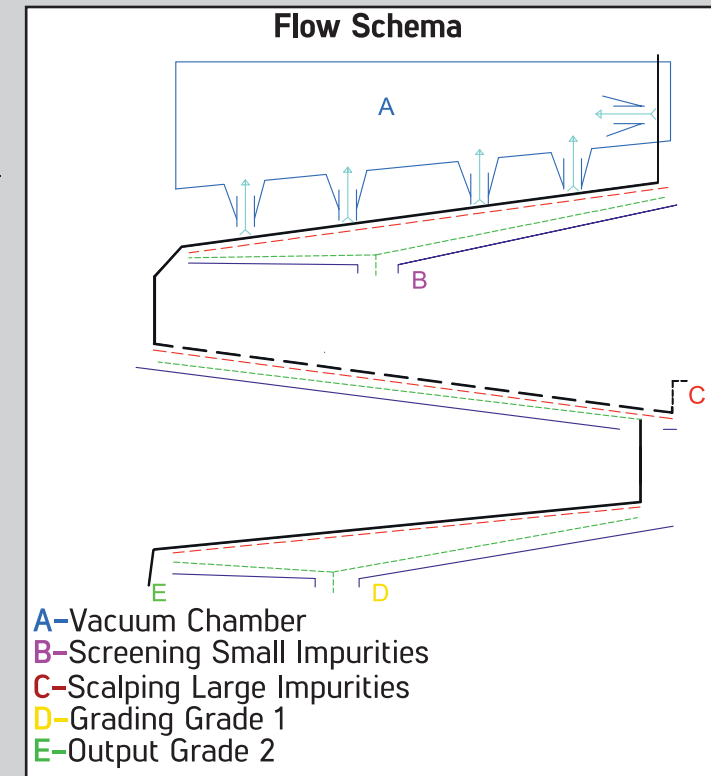


Three Deck Fine Screen Cleaner

- Three Deck Cleaner machine is for cleaning of all type of dry and granulated seeds from organic and non organic and non organic impurities.

Three Deck Cleaner Machine can separate:

- Large/course impurities and small impurities by means of screening/ sieve.
 - Light impurities by means of 5 times Air Screening.
 - 2 grades of seeds as out put, alternatively further screening for up most cleaned product.
- Screen lay out would change the purpose and task.





AKYUREKEXCELL 220 SERIES FLAT SCREEN GRADERS

Feed Roller with Built-in Stirrer

- Has feedgate which in combination with variable RPM control of the feed rate.
- Ensures by means of the stirrer that no product build-up.
- Is created in the inlet by light products such as grass seeds etc.

Full-width Vibratory

- Has stepless adjustment of the feed rate by an inverter.
- Separate control panel ensures a uniform flow over the entire width of the sieve.
- Ensures optimal capacity utilisation of the machine.
- Requires no cleaning in connection with changing products.

Balanced Eccentric System

- Is fitted with counter weights ensuring steady running.
- Involving minimum stress on buildings and steel structures.
- Ensures maximum utilisation of the cleaning effect of the sieves owing to accurately attuned stroke and RPM.

Ball Box

- Ensures efficient cleaning of sieves by means of rubber balls.
- Can maintain the cleaning effect at extremely low temperatures as the rubber balls are cast in a very suitable material.
- Is cast solid so that it prevents stuck seeds etc. (self cleaning).

Change Of Product Flow

- Makes many different product flows possible according to the capacity, product, number of fractions etc.
- Is easily done by changing the size of the sieves and the position of the outlet trays.

Screw Conveyor For Light Waste

- Ensures continuous discharge of dust and light waste from the air system via screws.
- With finger flaps to ensure optimal dust separation in the expansion chamber by preventing false air from entering into the chamber.

Akyurek Excell Sieves For All Purpose

- Are available with round and long holes from 0,3 to 25,0 mm
- Are available in a standard size of 800 mm(L) x 1250 mm(B)= 1 m, which can be used in more than 80% of the Akyurek Excell programme so the number of sieves needed is reduced

Pre and After Suction System

- Is built as separate systems to ensure a precise and independent air cleaning.
- Separates the light particles before the material reaches the sieves.
- Improves the cleaning effect and results in a higher capacity.

Easy To Operate

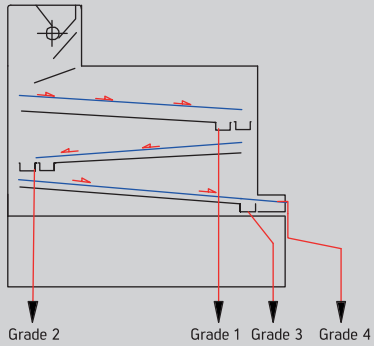
- Because all adjustments are placed at a suitable height.
- Owing to adjustments with scales for quick and precise re-adjustment.
- Is as standard with outlets and adjustments placed on the right hand side seen from the inlet end.

Finished Product of a High Quality

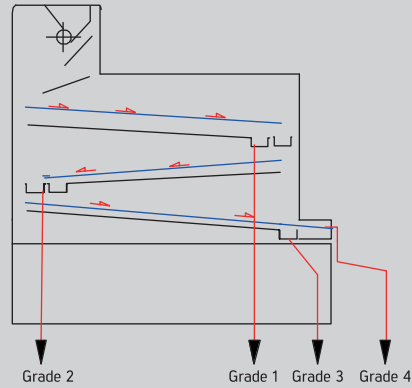
- Is clearly illustrated by the difference between the cleaned seed/product and the discarded light product on the air lifting system.
- Reduces in many cases the size of the subsequent processing machines.

Technical Data & Capacity Chart										
EXCELL 220 SERIES SUPER FINE SCREEN CLEANERS										
Screen Details	Type	221	222	224	225	226	227	228	229	
	Screen Area m ²	0,96	3,0	7,0	10,0	15,0	18,0	24,0	33,0	
	Screen	Length	cm	80	160	160	160	240	240	240
		Width	cm	40	62,5	125	125	125	125	125
	Num. of Screens		3	3	3,5	5	5	6	8	11
Cereals	Counter Flow		1/1/1	1/1/1	0,5/1/1/1	2/1/2	2/1/2	2/1/3	3/2/3	4/3/4
	Wheat, Rye, Sorghum	0,20	2,5	5,0	7,5	12,0	20,0	25,0	30,0	
	Barley	0,20	2,5	5,0	7,5	12,0	20,0	25,0	30,0	
	Oat	0,10	2,0	4,0	6,0	9,0	16,0	20,0	24,0	
	Maize	0,10	2,0	4,0	6,0	9,0	16,0	20,0	24,0	
	Raw Rice	0,08	1,5	3,0	4,5	7,0	12,0	15,0	18,0	
	White Rice	0,10	2,0	4,0	6,0	9,0	16,0	20,0	24,0	
Legumes	Soyabean	0,08	2,0	4,0	6,0	9,0	12,0	15,0	18,0	
	Pea	0,08	2,0	4,0	6,0	9,0	16,0	20,0	24,0	
	Clover	0,04	0,5	1,0	1,6	2,2	3,5	5,0	6,5	
Other Products	Ray Seeds	0,04	0,4	0,75	1,6	1,8	3,0	4,0	5,0	
	Rape Seed	0,04	2,0	4,0	6,0	9,0	16,0	20,0	24,0	
	Sunflower Seeds	0,04	1,0	2,0	3,0	4,5	8,0	10,0	12,0	
	Sugar Beet	0,04	1,2	2,5	3,5	5,0	9,0	11,0	13,0	
	Raw Coffee	0,08	2,0	4,0	6,0	9,0	16,0	20,0	24,0	
	Roasted Coffee	0,04	1,2	2,5	3,5	5,0	9,0	11,0	13,0	

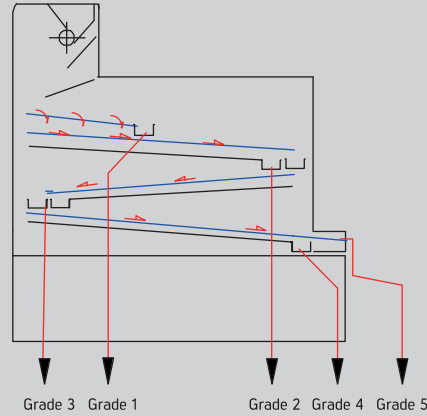
AKYUREKEXCELL 221



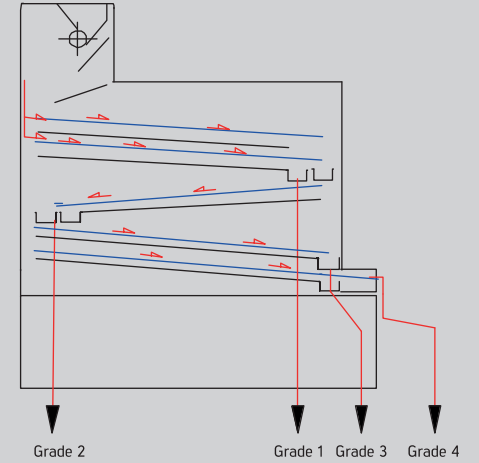
AKYUREKEXCELL 222



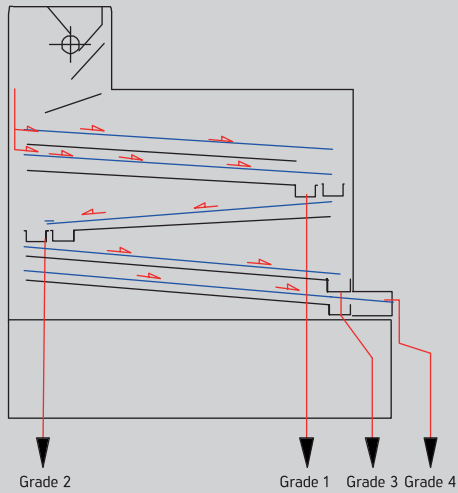
AKYUREKEXCELL 224



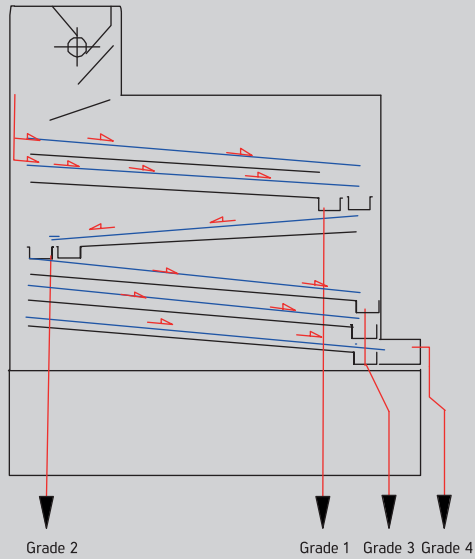
AKYUREKEXCELL 225



AKYUREKEXCELL 226



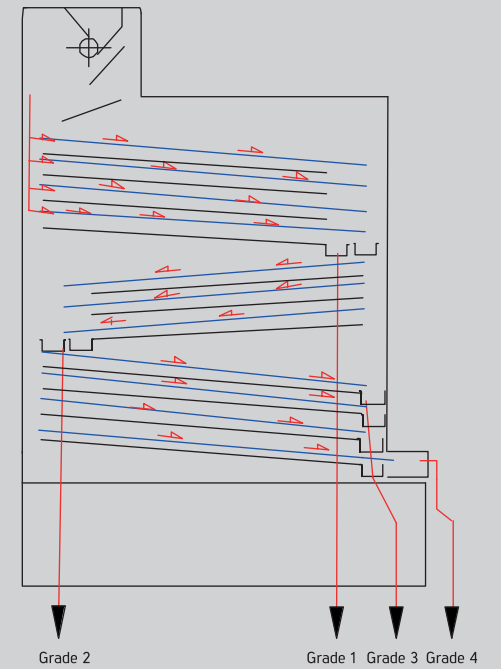
AKYUREKEXCELL 227



AKYUREKEXCELL 228



AKYUREKEXCELL 229





AKYUREKEXCELL 230 SUPER SERIES FLAT SCREEN GRADERS

Feed Roller with Built-in Stirrer

- Has feedgate which in combination with variable RPM control of the feed rate
- Ensures by means of the stirrer that no product build-up
- Is created in the inlet by light products such as grass seeds etc.
- Is in sensitive to light waste material and large impurities such as stones etc.

Full-width Vibratory

- Has stepless adjustment of the feed rate by an inverter.
- Separate control panel ensures a uniform flow over the entire width of the sieve.
- Is self cleaning.
- Improves the air cleaning considerably as the product hits the pre-suction area uniformly.

Balanced Eccentric System

- Is fitted with counter weights ensuring steady running.
- Involving minimum stress on buildings and steel structures.
- Is fitted with "heavy duty" bearings.

Ball Box

- Ensures efficient cleaning of sieves by means of rubber balls.
- Can maintain the cleaning effect at extremely low temperatures as the rubber balls are cast in a very suitable material.
- Is cast solid so that it prevents stuck seeds etc. (self cleaning).

Change Of Product Flow

- Makes many different product flows possible according to the capacity, product, number of fractions etc.
- By means of six different diagrams in the cleaner ensures excellent purity and minimum waste.

Screw Conveyor For Light Waste

- Ensures continuous discharge of dust and light waste from the air system via screws.

- With finger flaps to ensure optimal dust separation in the expansion chamber by preventing false air from entering into the chamber.

Pre and After Suction System

- Is built as separate systems to ensure a precise and independent air cleaning.
- Separates the light particles before the material reaches the sieves.
- Improves the cleaning effect and results in a higher capacity.

Akyurek Excell Sieves For All Purpose

- Are available with round and long holes from 0,3 to 25,0 mm.
- Are also available as wire mesh screens are also available as screen plates with very little tolerance which ensures a minimum cleaning loss.
- Are available in a standard size of 800 mm(L) x 1250 mm(B)= 1 m, which can be used in more than 80% of the Akyurek Excell programme so the number of sieves needed is reduced.

Easy To Operate

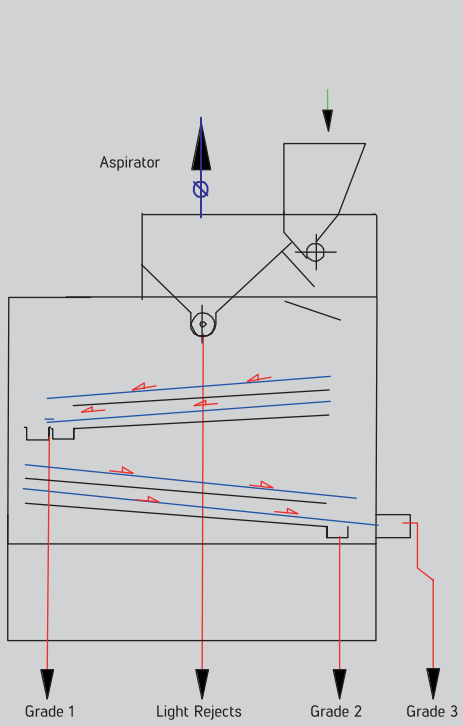
- Because all adjustments are placed at a suitable height.
- Owing to adjustments with scales for quick and precise re-adjustment.
- Since all operating handles are placed on the same side as the outlets.

Finished Product of a High Quality

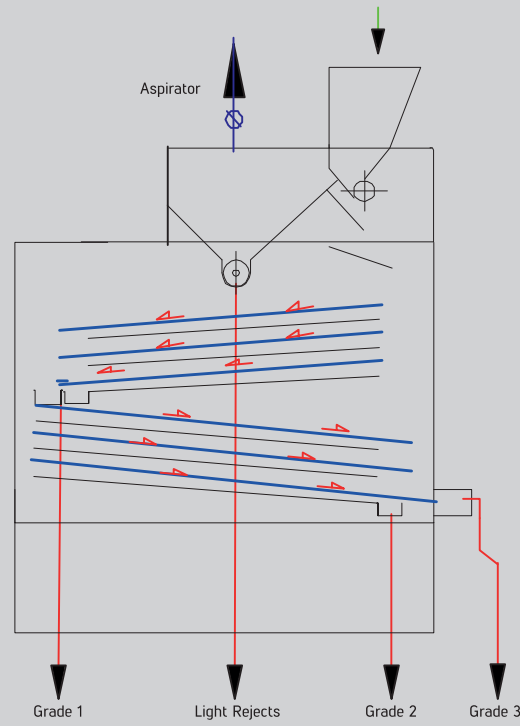
- Is clearly illustrated by the difference between the cleaned seed/product and the discarded light product on the air lifting system.
- Reduces in many cases the size of the subsequent processing machines.

➔ Seed Separators ➔ Screen Cleaners ➔ Fine Screen Cleaners ➔ Excell 230 Super Series Flat Screen Graders

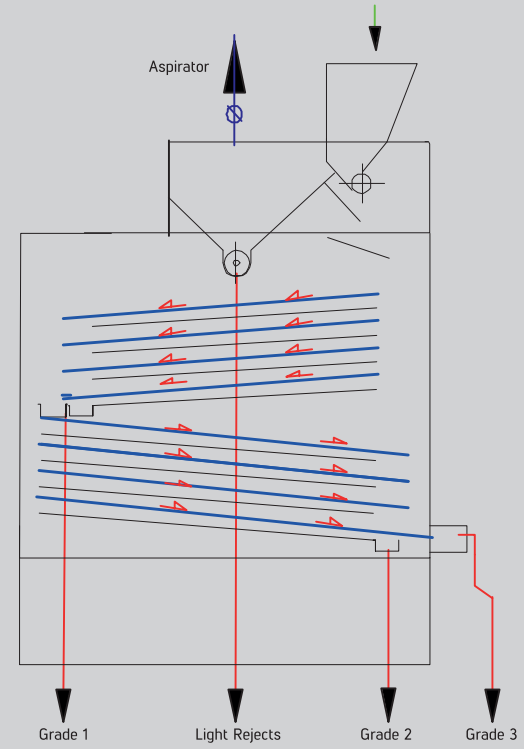
AKYUREKEXCELL 231



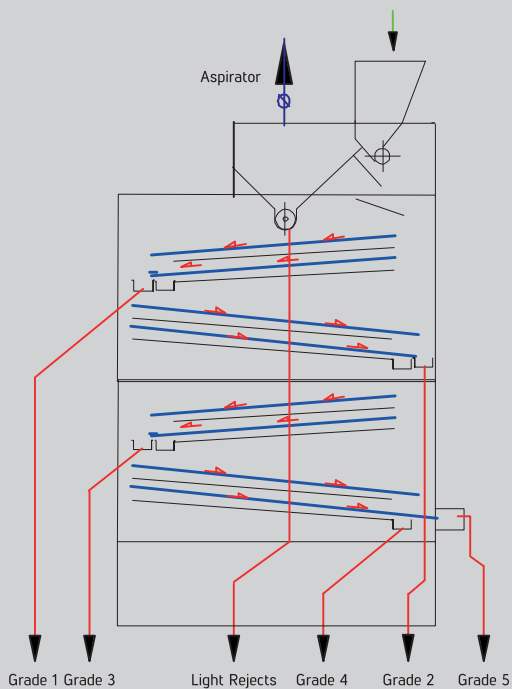
AKYUREKEXCELL 232



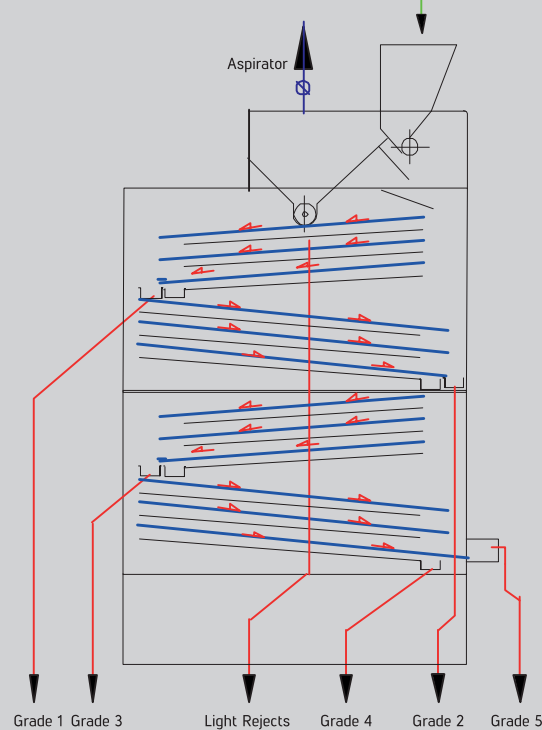
AKYUREKEXCELL 234



AKYUREKEXCELL 235



AKYUREKEXCELL 236



Technical Data & Capacity Chart

Excell 230 Series Super Grader Screen Cleaner						
Type	231	232	233	234	235	236
Screen Area m ²	12	18	24	24	26	48
Screen	Width	cm	125	125	125	125
	Length	cm	240	240	240	240
Num. of Screens	4	6	8	8	12	16
Counter Flow	2/2	3/3	4/4	2/2/2/2	3/3/3/3	4/4/4/4
Grade	min/max	2/3	2/3	2/3	2/5	2/5
Peanut		2,00	3,00	4,00	2,00	3,00
Beans		12	18	24	12	18
Raw Coffee		6	9	12	6	9
Pea		12	18	24	12	18
Lentil		13	19	25	13	19
Soyabean		12	18	24	12	18
Sunflower Seeds White		3	4,5	6	3	4,5
Sunflower Seeds Black		3	4,5	6	3	4,5
Pumpkin Seeds		3	4,5	6	3	4,5
Sesame		3	4,5	6	3	4,5



AKYUREK BRUSH TYPE SEED GRADERS B.MAC-007

Free or Vibratory Product Feed

- Uninterrupted and regular product flow is maintained from elevator or a hopper.
- Optional
- Large Liner feeding vibratory maintains product feed process equally through entire width of the screen.
- As the liner feed vibratory distributes the product evenly, it has an important role in optional dust control system.
- It can keep itself clean.
- Product blocking is prevented thanks to the special product feed chamber.
- Cleaning is not required when various product processing is required.

Entrance and Exit Air Suction System *OPTIONAL

- Smooth and independent dust cleaning is manufactured as a separate system.
- It is used for cleaning dust and light products before the product reaches to screens.
- The product provides an excellent product purity with the air suction performed before product outlet, light grains, shells, etc. by-products are cleaned.

Screen Decks

- Have long operation life thanks to resistant construction.
- Have long operation life thanks to flyboard absorbing the vibration.
- Screen contact points have easy-replaceable pieces.
- * Optional -laser cut black plate Decks, chrome plate Decks and screens.

Brush System

- Used for keeping perforated screens clean.
- Cleanness is kept at maximum level thanks to its brushes even at lowest degrees.
- Successfully performs cleaning even for most difficult products with its strong structure.
- Screens can be easily replaced since installed separately with screens.

Balanced Eccentric System

- Balanced with counter weights for smooth operation principle.
- Applies minimum stress to building ground and machine chassis.
- Equipped with special support bearings.
- Maintains correct RPM and stroke effect for reaching the maximum cleanness.

Product Flow Change

- Fixed; all screens provide sub-screen Graded products.
- Chutes are re-designed for separating the over size from screen flow according to requirements during machine ordering and production.

Easy-to-Use

- All machine adjustment apparatus are at accessible heights.
- Machine adjustments can be done with sensitive and excellent scales.
- All adjustment points are at the same point with output chutes.

Technical Data

Product Code	B.MAC-007/1	B.MAC-007/2	B.MAC-007/3	B.MAC-007/4	B.MAC-007/5	B.MAC-007/6
Number of Screens	1	2	3	4	5	6
Screening Surface Area	2 m ²	4 m ²	6 m ²	8 m ²	10 m ²	12 m ²
Sizing Number	1	3	4	5	6	7
Number of Screen	5	10	15	20	25	30
Total Power	1.47 kW	2.05 kW	2.95 kW	3.75 kW	4.5 kW	4.8 kW
Weight	550 kg	1050 kg	1150 kg	2200 kg	2580 kg	3075 kg

→ Seed Separators → Screen Cleaners → Screen Graders → Akyurek Brush Type Seed Graders B.MAC-007



Single Deck Grading Machine
B.MAC-007/1



Double Deck Grading Machine
B.MAC-007/2



Three Deck Grading Machine
B.MAC-007/3



Four Deck Grading Machine
B.MAC-007/4



Five Deck Grading Machine
B.MAC-007/5



Six Deck Grading Machine
B.MAC-007/3

E-mail : info@mmctech.us

Phone : 704 910 00 90

Website : www.mmctech.us



CYLINDRICAL SCREEN GRADER CLS 90x500

By means of the permanent circulation of the product and the resulting centrifugal force, each kernel is forced to be in contact with the screen perforation, enabling sorting operations to be carried out with high accuracy. The single cylinders built as self supporting steel constructions can be joined in various configurations by means of the simple modular system, always using only one drive motor (Energy saving) with chain drive connection to the single cylinders. A maximum of 3 cylinders can be installed above each other. So a huge spectrum of sorting targets can be covered.

Deector box

The deector box is used to deect the product falling through the upper screening cylinder so that it doesn't hit the lower cylinder so as to by-pass the following cylinder.

Vibrating through

The vibrating through is used to fed the product falling through the upper screening cylinder to the inlet of the next cylinder.

When arranged as lowest unit it will collect all throughs and convey them to a discharge pipe.

Screen cylinder

On the CS300 and CS500 type it is a single-sieve push on cylinder.

The CS700 type has 3 screen segments which are attached on supporting discs.

Screen box

The screen box houses the screening cylinder.

Discharge hopper

It is invariably arranged as lowest assembly of the equipment, it's only to collect the throughs and tailings in troughs from where they are piped out through suitable conduit.

FEATURES

- The drive can be equipped with xed or variable speed (by frequency inverter or by mechanical speed variator gear).

- Permanent screen cleaning too prevent blockage of the screen-holes. (additional hand operated cleaning device or brush rollers can be installed as an alternative).

- Adjustable Screen-inclination for regulation of the throughput-capacity. (stepllessly adjustable between 0 and 2,5°).

- Simple screen-exchange

Parallel operation

The grain ow is divided to the separate inlet channels of each single cylinder, so they receive part of the grain ow at a time. The over size product is discharged at the end of each cylinder. The product failing through will direct by the deector box so as to by-pass the following cylinder.

Series operation

The product falling through the upper screening cylinder is fed to the inlet of the next cylinder by means of a vibrating trough.

The oversize product is discharged at the end of each cylinder.

Technical Data & Capacity Chart

	TYPE	Performance (th)					Motor kW		Dust m ³ /min	Dimensions			Net Weight KG	Kalibrag the
		Wheat	Round holes	Slotted	Soybeans	Rassy Rice	Standard	adjusting gear		Long	Width	Height		
	CS 300 I	1.0	0.7	0.9	1.6	1	0.37	0.55	10	2242	565	925	230	2
	CS 500 I	3.75	1.3	1.8	3.3	2	0.75	1.1	10	2527	735	1170	315	
	CS 700 I	7.5	2.5	3.5	6.6	4	1.1	1.5	20	3715	1036	1575	824-tr.	
	CS 300 II-A	3.6	1.4	1.8	3.2	2	0.75	1.1	20	2357	1096	925	460	2/4
	CS 500 II-A	7.5	2.6	3.6	6.6	4	1.5	2.2	20	2610	1436	1170	790-tr.	
	CS 700 II-A	15	5	7	13.2	8	2.2	3	40	3755	2036	1575	1600	
	CS 300 II-BP	3.6	1.4	1.8	3.2	2	0.75	1.1	10	2531	565	1955	460	2
	CS 500 II-BP	7.5	2.6	3.6	6.6	4	1.5	2.2	10	2792	735	2450	744-tr.	
	CS 700 II-BP	15	5	7	13.2	8	2.2	3	20	3978	1036	3350	1551	
	CS 300 II-BS	1.8	0.7	0.9	1.6	1	0.75	1.1	10	2531	565	1715	470	3
	CS 500 II-BS	3.75	1.3	1.8	3.3	2	1.5	2.2	10	2792	735	2210	685	
	CS 700 II-BS	7.5	2.5	3.5	6.6	4	2.2	3	20	3978	1036	3035	1551	
	CS 300 III-P	5.4	2.1	2.7	4.8	3	1.1	1.5	10	2584	565	2770	700	2
	CS 500 III-P	11.25	3.9	5.4	9.9	6	2.2	3	10	2832	735	3515	1114	
	CS 700 III-P	22.5	7.5	10.5	19.8	12	3	4	20	3991	1036	4900	2400	
	CS 300 III-S	1.8	0.7	0.9	1.6	1	1.1	1.5	10	2584	565	2505	700	4
	CS 500 III-S	3.75	1.3	1.8	3.3	2	2.2	3	10	2832	735	3250	956	
	CS 700 III-S	7.5	2.5	3.5	6.6	4	3	4	20	3991	1036	4495	2400	
	CS 300 III-PS	3.6	1.4	1.8	3.2	2	1.5	1.5	10	2584	565	2745	700	3
	CS 500 III-PS	7.5	2.6	3.6	6.6	4	3	3	10	2832	735	3490	956	
	CS 700 III-PS	15	5	7	13.2	8	5.5	4	20	3991	1036	4820	2400	
	CS 300 IV-P	7.2	2.8	3.6	6.4	4	1.5	2.2	20	2584	1096	1955	930	2/4
	CS 500 IV-P	15	5.2	7.2	13.2	8	3	4	20	2845	1436	2450	1434-br.	
	CS 700 IV-P	30	10	14	26.4	16	5.5	7.5	40	4158	2036	3360	3200	
	CS 300 IV-S	3.6	1.4	1.8	3.2	2	1.5	2.2	20	2584	1096	1715	930	3/6
	CS 500 IV-S	7.5	2.6	3.6	6.6	4	3	4	20	2845	1436	2210	1275	
	CS 700 IV-S	15	5	7	13.2	8	5.5	7.5	40	4158	2036	3035	3200	
	CS 300 VI-P	10.8	4.2	5.4	9.6	6	2.2	3	20	2624	1096	2770	1400	2/4
	CS 500 VI-P	22.5	7.8	10.8	19.8	12	4	5.5	20	2892	1436	3515	1912	
	CS 700 VI-P	45	15	21	39.6	24								
	CS 300 VI-S	3.6	1.4	1.8	3.2	2	2.2	3	20	2624	1096	2505	1400	4/8
	CS 500 VI-S	7.5	2.6	3.6	6.6	4	4	5.5	20	2892	1436	3250	2036	
	CS 700 VI-S	15	5	7	13.2	8								
	CS 300 VI-PS	7.2	2.8	3.6	6.4	4	2.2	3	20	2624	1096	2745	1400	3/6
	CS 500 VI-PS	15	5.2	7.2	13.2	8	4	5.5	20	2892	1436	3490	1912	
	CS 700 VI-PS	30	10	14	26.4	16								



AKYUREKEXCELL 33 SCREEN CLEANER & GRADER

Full-width Vibratory

- Has stepless adjustment of the feed rate by an inverter.
- Separate control panel ensures a uniform flow over the entire width of the sieve
- Improves the air cleaning considerably as the product hits the pre-suction area uniformly.

Pre and After Suction System

- Is built as separate systems to ensure a precise and independent air cleaning.
- Separates the light particles before the material reaches the sieves.
- Improves the cleaning effect and results in a higher capacity.

Perforated Screens

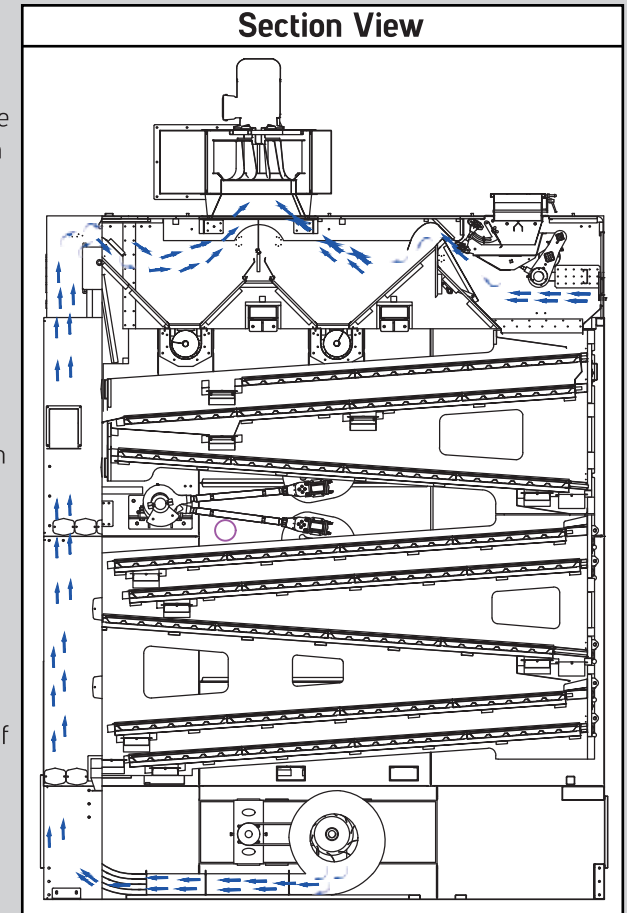
- Are available with round and long holes from 0,3 to 25,0mm.
- Are also available as wire mesh screens are also available as screen plates with very little tolerance which ensures a minimum cleaning loss.
- Are available in a standard size of: 800 mm (L) x 1250 mm (B) = 1 m. which can be used in more than 80% of the Akyurek Excell program so the number of sieves needed is reduced.

Screenshoes of Birch Plywood

- Are constructed with replaceable wear plates and sieve runners in exposed areas.
- Have a long lifetime because the birch plywood easily tolerates the vibrations of the screen shoes.

Ball Box

- Ensures efficient cleaning of sieves by means of rubber balls.
- Can maintain the cleaning effect at extremely low temperatures as the rubber balls are cast in a very suitable material.
- Is cast solid so that it prevents stuck seeds etc.(self-cleaning).



Screw Conveyor for Light Waste

- Ensures continuous discharge of dust and light waste from the air system via crews.
- With finger flaps to ensure optimal dust separation in the expansion chamber by preventing false air from entering into the chamber.

Air Lifting Sieve Screen

- Forces the product through under passage to turn its biggest surface against the air flow in order to obtain optimal separation.
- Is constructed with adjustable air lifting hood over the air lifting sieve, which ensures optimal collecting up of the discarded light particles.

Air Lifting Channel

- Through which husks, dust etc. are led with the airflow to the after suction system.
- Is available with an extra-large expansion chamber and centre outlet for special processes.

Balanced Eccentric System

- Involving minimum stress on buildings and steel structures.
- Ensures maximum utilisation of the cleaning effect of the sieves owing to accurately attuned stroke and RPM.

Air Lifting Unit

- Is capable-by means of staggered fans and air guides-of giving a completely uniform air pressure from beneath the product when it leaves the first part of cleaner.
- Ensures a complete blow through of the product which causes an elimination of light seeds, husks, straw and dust.

Technical Data & Capacity Chart	
Capacity: (at max. 15% moisture content)	
Chickpea	8-10.0 t/s
Bean	8-10.0 t/s
Lentil	9-11.0 t/s
Dimensions:	
Weight	6400 kg
Machine Length	4000 mm
Machine Width	2400 mm
Machine Height	5960 mm
Screen area:	32.0 m ²
Motors: (Standard):	
Aspirator	11 kW
Eccentric	3 kW
Feeder Roller	0.75 kW
Screw Conveyor	0.55 kW
Air Volume:	
Air Volume	21000 m ³ /h



COMBO SCREEN CLEANER & GRADER O.MAC-001

Function:

Light impurities and admixture separated by aspirators. There are five sieve boats and six screens with in the machine. The machine can separate large admixtures, small admixtures, split or broken seeds and It can classify the seed lot in four different grades.

Work Principle:

Seed feed into sieve boats through the feeder elevator. Each sieve boat has specific sizes of holes for impurities/admixtures larger than the seed or smaller than the seed. Sieve boats inclines downwards where the crop moves to whilst sieve boats vibrates and impurities fall of the sieve perforations.

To separate the straw, chip, glumes and etc. the product passes below the aspirator room. Aspirator room has five adjustable suction imports where crop exposed to air cleaning five times. After cleaning operation, the product transferred to the grading boats through the middle elevator which is the second elevator in the machine. The product can be graded maximum to four; the eccentric system obtains the best analysis of the seed. The cleaning system of under screen has brushes moving forward and back, so there is no risk for the screen to be blocked.

1-Pre - Clean Section:

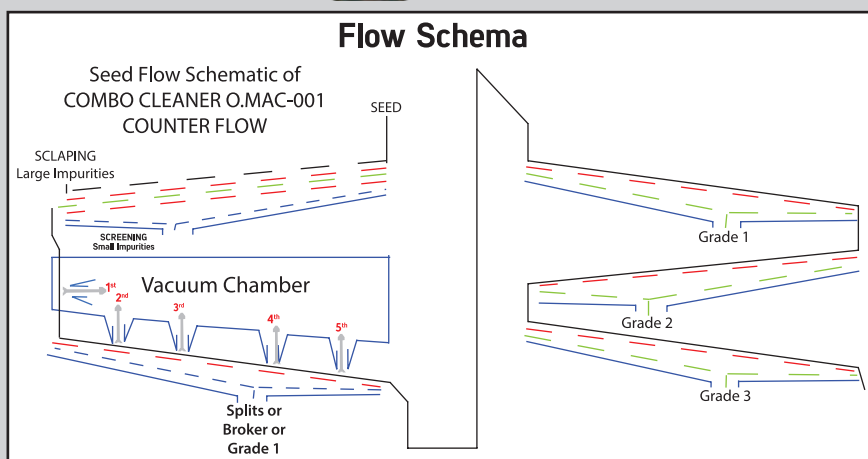
First part of the machine is for Pre cleaning; scalping and screening (clean the large and small impurities from the product.)

2- Fine Clean Section:

Second part of the machine is for fine cleaning; air screening up to five times in single process (to clean the light impurities from the product) at the same time screening.

3-Grading Section:

Third part of the machine is for Grading, three grading screens to be able to get four graders. A multi tasked Combo Cleaner with grading units. Ideal machine dor all type of dry beans, chickpeas and peas that needs grading fot price variety in market. Maximum analyze with Akyürek intense scren perfarotion.



Technical Data									
Dimensions		Engine No (Piece)	Total Motor Power (kW)	Standard Volt (Volt)	Optional Volt (Volt)	Weight (Kg)	Brush No (Piece)	Screen Area (m ²)	Vibration Type
Length	5850								
Width	2100								
Height	3500								
Machine+Elev. Height	3500+750	6	9	380	220-440	2500	30	12	Eccentric
Machine+Elev. Length	5850+550								

Capacity Chart	
Product	In put Capacity
Soya Beans	4-5 tn/hr
Chickpeas	3-5 tn/hr
Beans	3-5 tn/hr
Kidney Beans	3-5 tn/hr
Vetches	4-5 tn/hr
Sesame Seed	2,5-3 tn/hr
Lentils	3-5 tn/hr
Wheat	4-5 tn/hr
Rice	4-5 tn/hr
Sunflower	1-2 tn/hr
Cumin Seeds	0,8-1 tn/hr
and many more	



MODULAR COMBO SCREEN CLEANER & GRADER O.MAC-002

Working Principle:

The product feed into sieve boats through the feeder elevator. Each sieve boat has specific sizes of holes for impurities larger than the crop or smaller than the crop. Sieve boats incline downwards where the crop moves whilst sieve boat vibrates and impurities fall of the sieve perforations.

To separate the straw, chip, glumes and etc. the product passes below the aspirator room. Aspirator room has five adjustable suction imports where crop exposed to air cleaning five times. After cleaning operation, the product transferred to the grading boats through the middle elevator which is the second elevator in the machine. The product can be graded maximum to five; the eccentric system obtains the best analysis of the product. The cleaning system of under screen has brushes moving forward and back, so there is no risk for the screen to be blocked.

1-Pre - Clean Section:

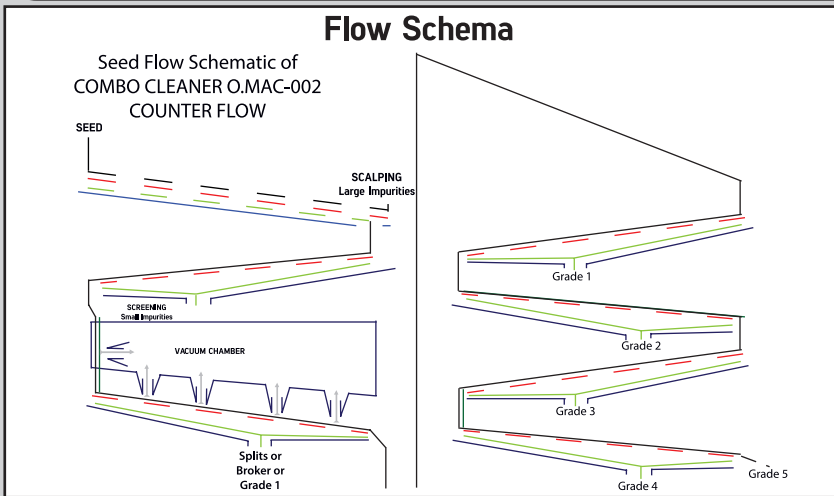
First part of the machine is for Pre cleaning; scalping and screening (clean the large and small impurities from the product.)

2- Fine Clean Section:

Second part of the machine is for fine cleaning; air screening up to five times in single process (to clean the light impurities from the product) at the same time screening.

3-Grading Section:

Third part of the machine is for Grading, four grading screens to be able to get four graders. A multi tasked Modular Combo Cleaner with grading units. Ideal machine dor all type of dry beans, chickpeas and peas that needs grading fot price variety in market. Maximum analyze with Akyürek intense scren perfarotion.



Technical Data									
Dimensions		Engine No (Piece)	Total Motor Power (kW)	Standard Volt (Volt)	Optional Volt (Volt)	Weight (Kg)	Brush No (Piece)	Screen Area (m²)	Vibration Type
Length	5850								
Width	2100								
Height	3500								
Machine+Elev. Height	3500+750	6	9	380	220-440	2750	35	12	Eccentric
Machine+Elev. Length	5850+550								

Capacity Chart	
Product	In put Capacity
Soya Beans	4-5 tn/hr
Chickpeas	3-5 tn/hr
Beans	3-5 tn/hr
Kidney Beans	3-5 tn/hr
Vetches	4-5 tn/hr
Sesame Seed	2,5-3 tn/hr
Lentils	3-5 tn/hr
Wheat	4-5 tn/hr
Rice	4-5 tn/hr
Sunflower	1-2 tn/hr
Cumin Seeds	0,8-1 tn/hr
and many more	



OPTIMUM COMBO SCREEN CLEANER & GRADER C.O.MAC-003

Function:

It is a multi tasked machine with fine cleaner and grading units. It can screen clean almost all kind of seeds, grains and dry legumes vegetables. Light impurities sucked by two aspirator rooms twice all together ten times. There are six sieve boats and six screens. It can classify the product in to three different grades. There are two models in its standard; fixed and mobile types.

Working Principle:

The product feed into sieve boats through the feeder elevator. Each sieve boat has specific sizes of holes for impurities larger than the crop or smaller than the crop. Sieve boats inclines downwards where the crop moves whilst sieve boat vibrates and impurities fall of the sieve perforations.

To separate the straw, chip, glumes and etc. the product passes below the aspirator room. Aspirator room has five adjustable suction imports where crop exposed to air cleaning five times. After cleaning operation, the product transferred to the second section.

The same cleaning can be carried out if necessary 1st scalping 2nd screening 3rd air screening. Or 1st and 2nd sieve boats can be for grading cleaned products and for prime product re-air screening. The cleaning system of under screen has brushes moving forward and back, so there is no risk for the screen to be blocked.

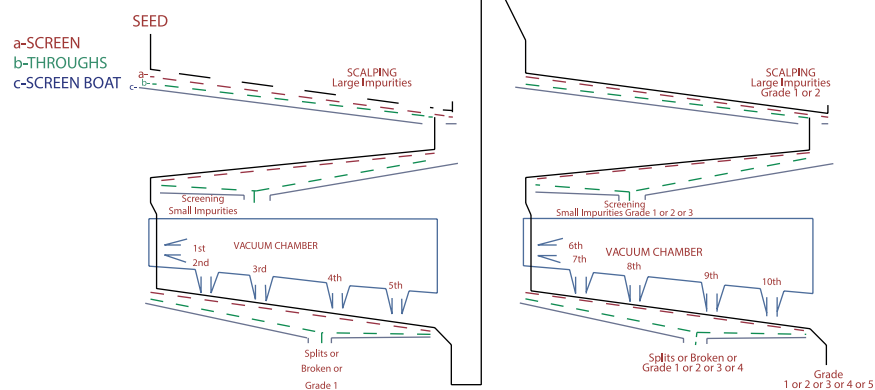
1-First part of the machine is for Pre Cleaning- scalping and screening (clean the large and small impurities from the product).

2-Second part of the machine is for Fine Cleaning: air screening up to five times in single process (to clean the light impurities from the product) at the same time screening (cleaning small impurities).

3-Third part of the machine (two sieve boats) Second Pre-Cleaning; scalping and screening (clean the large and small impurities from the product) Alternativly- Screening Sieve Boat can be allocated for Grading (1).

4-Fourth part of the machine is for Fine Cleaning/Grading; another air screening up to five times in single process (to clean the light impurities from the product) at the same time screening or Grading obtaining graded-sized products. (Below screen).

Flow Schema



Technical Data

Dimensions		Engine No (Piece)	Total Motor Power (kW)	Standard Volt (Volt)	Optional Volt (Volt)	Weight (Kg)	Brush No (Piece)	Screen Area (m ²)	Vibration Type
Length	6200								
Width	2100								
Height	4000								
Machine+Elev. Height	4000+4400								
Machine+Elev. Length	6200+800								

Capacity Chart

Product	In put Capacity
Soya Beans	4-5 tn/hr
Chickpeas	3-5 tn/hr
Beans	3-5 tn/hr
Kidney Beans	3-5 tn/hr
Vetches	4-5 tn/hr
Sesame Seed	2.5-3 tn/hr
Lentils	3-5 tn/hr
Wheat	4-5 tn/hr
Rice	4-5 tn/hr
Sunflower	1-2 tn/hr
Cumin Seeds	0.8-1 tn/hr
and many more	



DOUBLE PRE & FINE SCREEN CLEANER C.O.TEM-004

Function:

Two machines in one –Left and right side carries out the same task where large capacity is obtained. It is a multi tasked machine with Pre-fine cleaner and grading unit. It can screen clean almost all kind of seeds, grains and dry legumes vegetables. Light impurities sucked by aspirator room. There are four sieve boats and four screens. It can classify the product in two or three (with air screen sieving) different grades. There are two models in its standard; fixed and mobile types.

Working Principle:

Left Hand Side Section of the machine

The product feed into sieve boats through the feeder elevator. Each sieve boat has specific sizes of holes for impurities larger than the crop or smaller than the crop. Sieve boats inclines downwards where the crop moves to whilst sieve boats vibrates and impurities fall of the sieve perforations.

To separate the straw, chip, glumes and etc. the product passes below the aspirator room. Aspirator room has five adjustable suction imports where crop exposed to air cleaning five times.

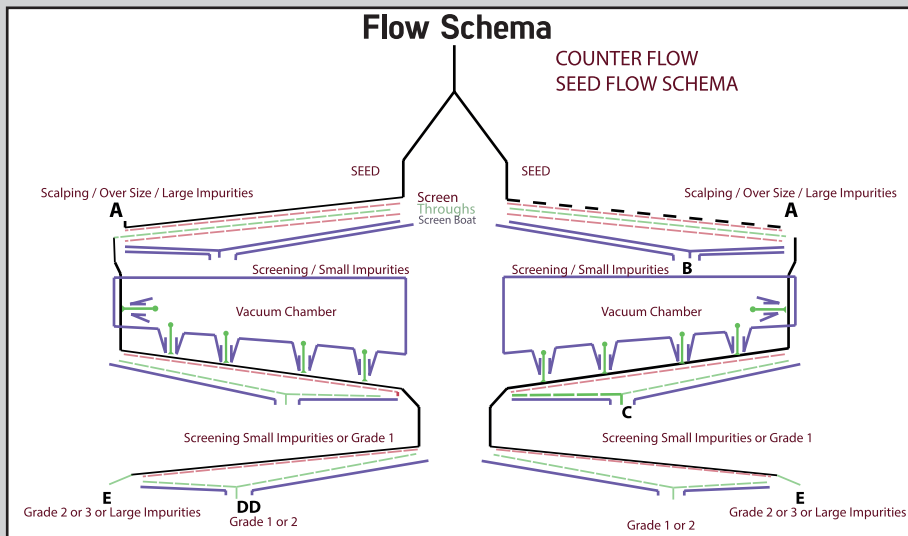
After cleaning operation, the product transferred to last sieve boat. The product can be graded maximum to two or three with air screen sieving; or another scalping task can be carried out; the eccentric system obtains the best analysis of the product. The cleaning system of under screen has brushes moving forward and back, so there is no risk for the screen to be blocked. Right Hand Side Section of the machine carries out the same work principle of the right side. Machine has two outputs. The Product feed into left and right side of the machine; Right Side of the machine.

1- First part of the machine is for Pre Cleaning – scalping (clean the large and small impurities from the product.)

2- Second part of the machine is for fine cleaning; air screening up to impurities from the products) at the same time screening, alternatively grading.

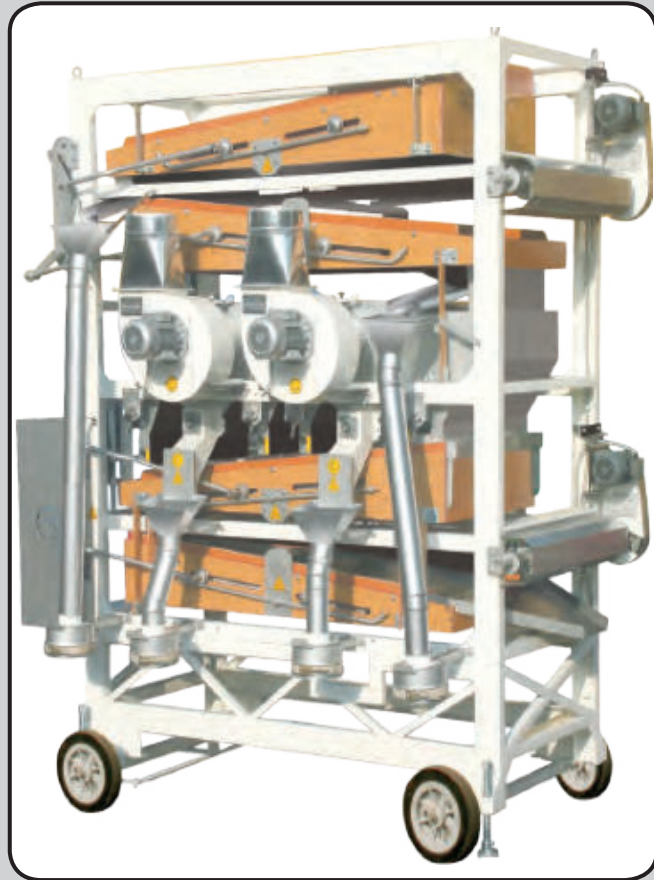
3- Last Sieve boat of the machine is for Grading or Scalping above screen grade 2 and below screen size 3.

Left side of the machine carries out the same functions as per above if screens are same. Above description can differ according to product and purpose. A multi tasket Cleaner with grading units. Ideal machine for all type grains , seed and dry legumes Pre-fine cleaning.



Capacity Chart	
Product	In put Capacity
Soya Beans	8-10 tn/hr
Chickpeas	6-10 tn/hr
Beans	6-10 tn/hr
Kidney Beans	6-10 tn/hr
Vetches	8-10 tn/hr
Sesame Seed	5-6 tn/hr
Lentils	6-10 tn/hr
Wheat	8-10 tn/hr
Rice	8-10 tn/hr
Sunflower	2-4 tn/hr
Cumin Seeds	1.6-2 tn/hr
and many more	

Technical Data									
Dimensions (mm)		Engine No (Piece)	Total Motor Power (kW)	Standard Volt (Volt)	Optional Volt (Volt)	Weight (Kg)	Brush No (Piece)	Screen Area (m²)	Vibration Type
Machine+Elev. Length	5850+500								
Machine+Elev. Length	2000+105								
Machine+Elev. Length	3200+2050	7	13	380	220-440	2600	30	2x8=16	Eccentric



PRE & FINE SCREEN CLEANER 0.TEM-006

Function:

It is a multi tasked machine with fine cleaner and grading unit. It can screen clean almost all kind of seeds, grains and dry legumes vegetables. Light impurities sucked by aspirator room. There are four sieve boats and four screens. It can classify the product in two different grades + 1 through from air screen boat. There are two models in its standard; fixed *mobile types.

Working Principle:

The product feed into sieve boats through the feeder elevator. Each sieve boat has specific sizes of holes for impurities. The product feed into sieve boats through the feeder elevator. Each sieve boat has specific sizes of holes for impurities vibrates and impurities fall of the sieve perforations.

To separate the straw, chip, glumes and etc. the product passes below the aspirator room. Aspirator room has five adjustable suction imports where crop exposed to air cleaning five times. After cleaning operation, the product transferred to the grading boat. The product can be graded maximum to two or three with air screen sieving; the eccentric system obtains the best analysis of the product. The cleaning system of under screen has brushes moving forward and back, so there is no risk for the screen to be blocked.

The cleaning system of under screen has brushes moving forward and back, so there is no risk for the screen to be blocked.

1-First part of the machine is for Pre cleaning ;

First friction = scalping (first Sieve boat) (clean the large impurities from the products).

Second friction = screening (second sieve boat.)(clean the small impurities from the product).

2-Second part of the machine is for Fine Cleaning;

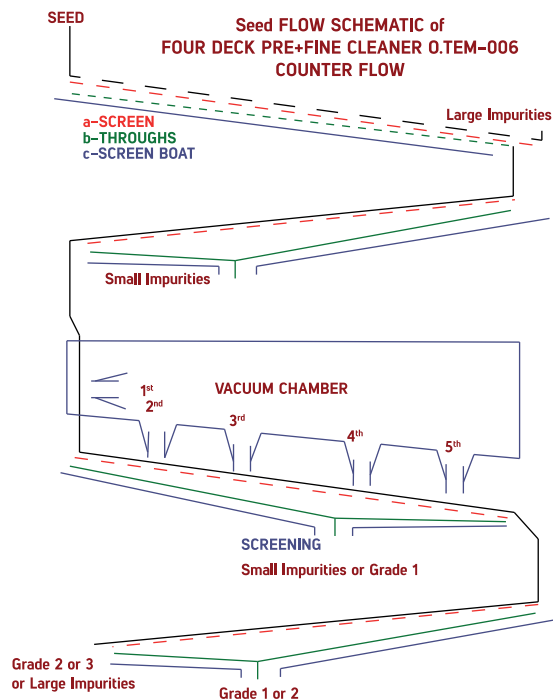
Third friction and four friction = air screening up to five times in single process (to clean the light impurities from the products) at the same time screening (third sieve boat) (clean the small impurities from the product), alternatively grading 1. Last Sieve Boat

Two frictions, fifth and sixth frictions: below screen (screening for grading 2) and above screen grade 3 or scalping.

This machine can be used for Seed cleaning Purpose or Edible granule dry vegetables cleaning purpose.

Capacity Chart	
Product	In put Capacity
Soya Beans	4-5 tn/hr
Chickpeas	3-5 tn/hr
Beans	3-5 tn/hr
Kidney Beans	3-5 tn/hr
Vetches	4-5 tn/hr
Sesame Seed	2,5-3 tn/hr
Lentils	3-5 tn/hr
Wheat	4-5 tn/hr
Rice	4-5 tn/hr
Sunflower	1-2 tn/hr
Cumin Seeds	0,8-1 tn/hr
and many more	

Flow Schema



Technical Data

Dimensions		Engine No (Piece)	Total Motor Power (kW)	Standard Volt (Volt)	Optional Volt (Volt)	Weight (Kg)	Brush No (Piece)	Screen Area (m ²)	Vibration Type
Length	5850								
Width	2100	7	10	380	220-440	2200	20	8	Eccentric
Height	3500								
Machine+Elev. Height	3500+750								
Machine+Elev. Length	5850+550								



AKYUREKEXCELL 80

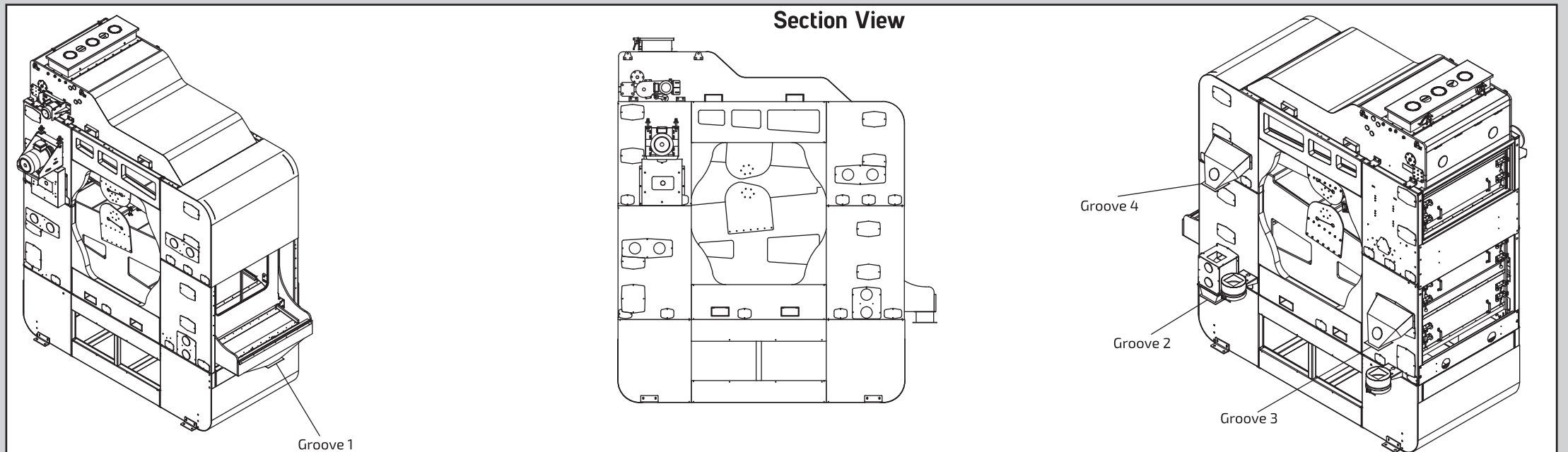
Function:

Akyurek Technology excel 80 is designed and produced specially for peanut kernel grading. It enables to grade the product to four sizes. In its standard, it is fixed closed machine. It is very sensitive machine, it is developed to suite the customer need in grading peanut kernels.

Work Principle:

The product is feed to inlet for optimal feed over the width of the machine. There is an adjustable feed gate which will be adjusted when the opening needs to be bigger due to the difficult floating.

Technical Data			
Akyurekexcel 80 Technical Specification			
Weight	3500 Kg		
Size	3680	4180	1
Screen Area	18 m ²		
Screen No	6		
Screen Size	2400	1250	
Eccentric	3		
Product Distributor	0.75		
Sound Level	72 Decibel Maximum		
Air Volume	m ³		





JOG SCREEN CLEANER 380 SS-US1

Function:

380 Seed Screener designed for easy Seed Screen Cleaning tasks where space is limited. Machine features allows operator to have acceptable results.

380 Seed Screener available in two models:

380 SS-US1 – 380 Seed Screener with 1 Level of Screens (Undersize Separation)

30cm width and 380cm Length Screen area

380 SS-OSUS2 – 380 Seed Screener with 2 Levels of Screens (Oversize and Undersize Separation)

2x 30cm width and 380cm Length Screen area.

Work Principle:

The product is fed to the machine by means of supplied conveyor equipment or Hopper, and then moved to the front part of the sieve basket where the grain distribution device spreads the grain across the whole sieve width.

The reciprocating movement caused by the eccentric motors, moves the seed forward across the screen surface and at the same time effectively directs the grain into a vertical position to pass through the perforated screens.

The Akyurek 380 Screener has been designed to ensure that the seed moves more slowly down the sieve towards the outlet/tail end than at the inlet/head end.

This results in over tailing stock lingering on the sieve, improving stock distribution and increasing sieve capacity.

With Model 380 SS-US1- 380 Seed Screener with 1 Level of Screens (Undersize Separation)

On the single sieve deck, impurities smaller than cereal grain are separated and moved out of the machine.

With 380 SS-OSUS2- 380 Seed Screener with 2 Levels of Screens (Oversize and Undersize Separation).

On the Double sieve deck, impurities Larger than cereal grain are separated and moved out of the machine on the top Screen.

The troughs from the first sieve deck move to the second sieve deck where impurities smaller than cereal grain are separated again. These impurities are collected in the bottom of the sieve basket from where they are discharged. Accept seeds moves forward from the end of the Screener.

Technical Data				
JOGGING SCREEN				
Weight	Kg	400		
Diameters	LxWxH (mm)	3800	885	840
Number of Screens		2		
Screen Diameters	W x L (mm)	350	3400	
Eccentric Motor	kW, RPM, Pieces	0,75	900	1



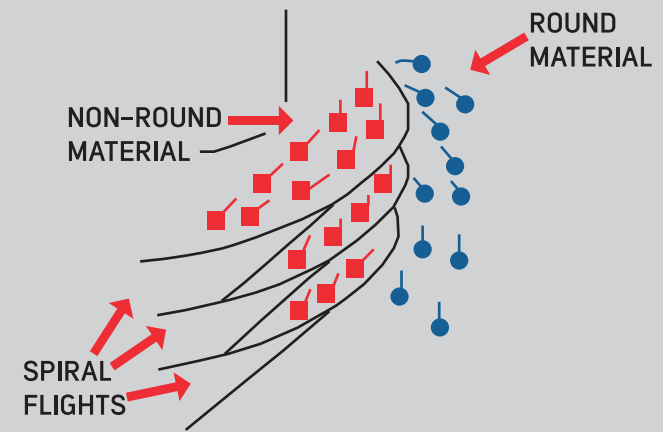
SPIRAL SEPARATOR SFN

Spiral separators operate on gravity only – product is loaded in the hopper, or direct feed tube on a single spiral.

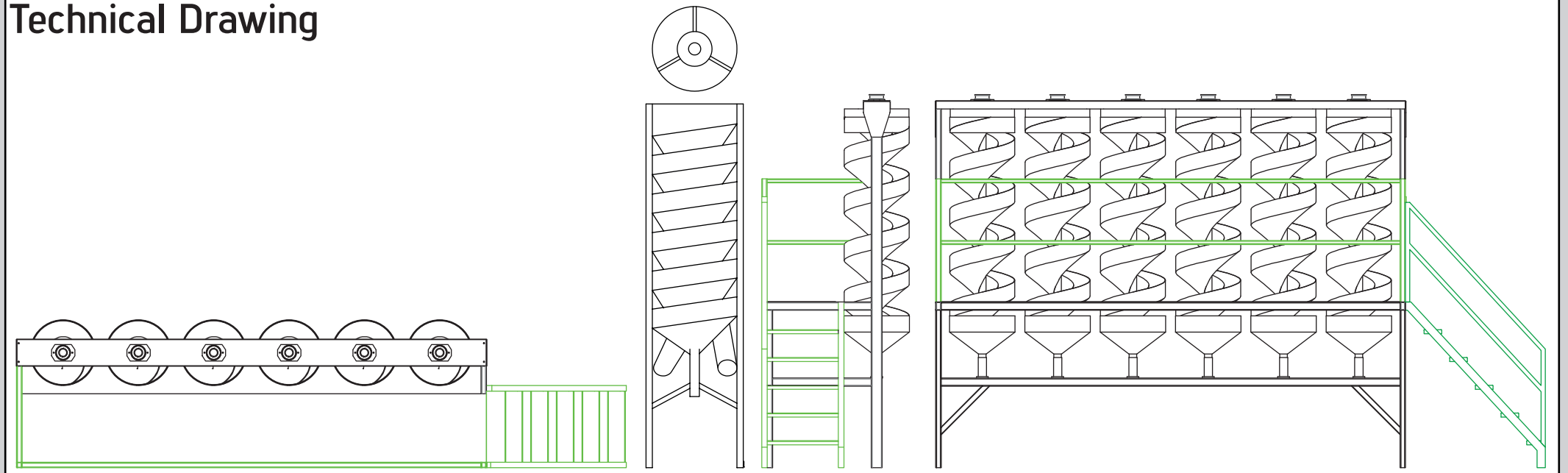
The material flows over an adjustable cone and divides the material evenly onto the inner flights.

With increasing speed, the round material will separate and roll off the inner flights onto a larger outer flight and then exits a side discharge chute at the bottom.

The non-round material on the inner flights will exit a center discharge chute at the bottom.



Technical Drawing





DE-STONER PRESURE TYPE T.MAC-009

Akyurek Technology De-stoners are known for their remarkably fast and thorough separation of heavy foreign material removal. Right now they are working throughout the world on spices, chemicals, coffee, peanuts, cereals, beans, wheat, minerals and numerous other products.

The De-stoner operates on the basic principle of flowing dry granular material over a vibrating screen covered deck that is inclined. The Akyurek Technology De-stoners have the same basic function as gravity separator with the only difference being the De-stoner has two fractions - light & heavy, and the gravity separator has multiple fractions.

APPLICATION

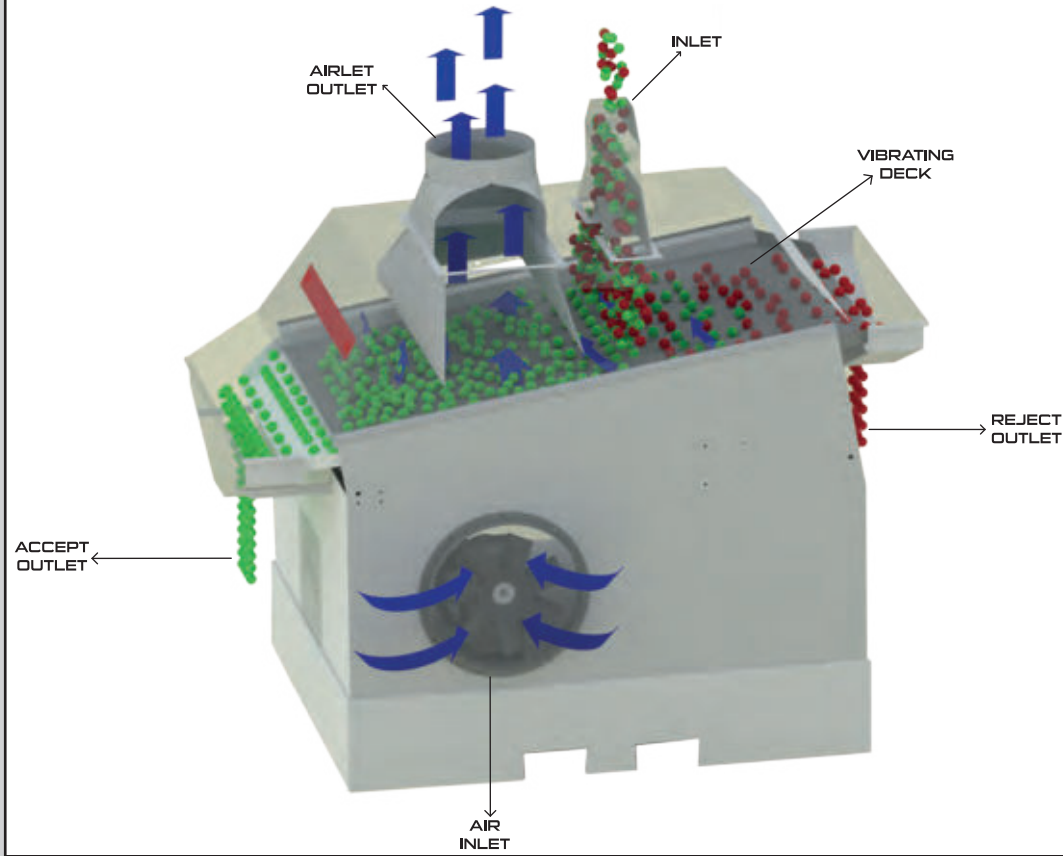
De-stoners are placed in many different locations in a cleaning system, both before and after cleaners and gravity separators. Destoning is not only used as a means of eliminating contaminants to improve the purity of the product, but is also essential to remove stones to eliminate excessive wear on all types of grinding mills, flaking machines, etc.

Operation Mode

The basic principle involves flowing dry material over an inclined, vibrating, screen covered deck. The steady air flow holds the material in stratified flotation. The lighter material stays in the upper strata as it flows down the inclined vibrating deck with screens. The heavier material, such as stones, coarse sand, glass, metal, etc., travels up the inclined vibrating deck.

MOTORS	ADJUSTABLE PARAMETERS	TYPES		
		Mechanic TYPE	Semi Auto TYPE	PLC TYPE
Linear Vibrotary Feeder	Linear Feeding on Deck	Digital Potantimeter with Freq. Cont.	Digital Potantimeter with Freq. Cont.	PLC T/S PANEL with Frequenc Controller
Eccentric for Deck	Deck Speed	Fix Speed Eccentric - On and Off*	Fix Speed Eccentric - On and Off*	PLC T/S PANEL with Frequenc Controller
Air Pressure Fan	Air Pressure	Manually Cont. Valves of Air inlet Gate*	Digital Potantimeter with Freq. Cont.	PLC T/S PANEL with Frequenc Controller
Aspirator-Suction	Exhaust Suction	Manually Cont. Shutter from Aspirator	Manually Cont. Shutter from Aspirator	Manually Controlled Shutter for Air Suction
	Deck Rise and Low	Manual Controlled Jack Lift*	Manual Controlled Jack Lift*	MOTORISED PLC T/S PANEL
* Optionally: Frequency Controller can be used. Abriviations: T/S-Touch Screen Freq. Cont. - Frequency Controller				SETTINGS MEMORY SYSTEM for Re-Call
				CLEVER PERIODIC DISCHARGE SYSTEM

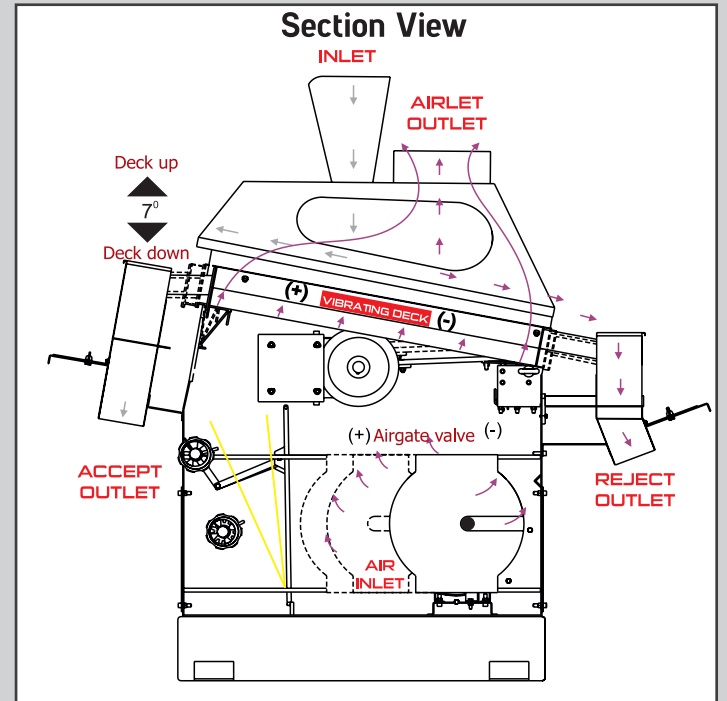
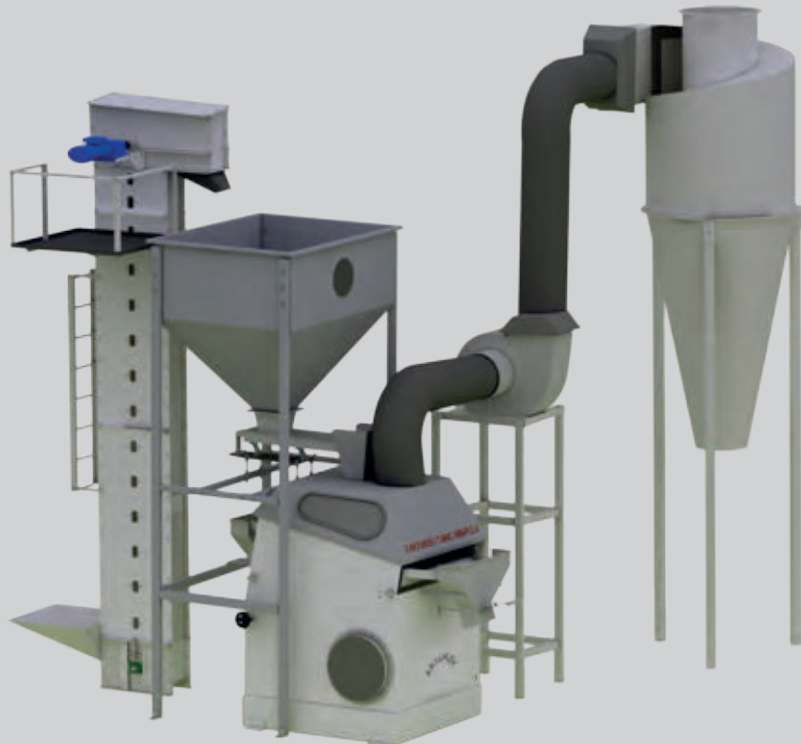
DE-STONER - Pressure Type



CAPACITY CHART

Product	m ³ /Kg	MEDIUM MODEL	LARGE MODEL	XLARGE MODEL
Soy Beans	700	3-5	5-7	7-9
Chickpeas	740	3-5	5-7	8-10
Beans	750	3-5	5-7	8-10
Kidney	760	3-5	5-7	8-10
Vetch	700	3-5	5-7	8-10
Lentil	800	3-5	5-7	8-10
Wheat	760	3-5	5-7	8-10
Rice	750	3-5	5-7	8-10
Sunflower	350	1-2	2-3	3-5
Cumin	300	1.5-2	2-3	3-5
Sesame	600	2-3	3-4	4-6
Peas	700	3-5	5-7	8-10
Bird Seed	700	3-5	5-7	8-10
Cotton Seed	400	1.5-2	2-3	3-5
Linen Seed	700	3-5	5-7	8-10

Please note that input and output that can be obtained interdependent and also depend on the input contamination. The throughput capacities shown are also dependent on the input contamination and the required quality of output. Also another capacity element is if cleaner machine working alone or integrated to a cleaning plant.





VIBRO TYPE T.MAC-009

Function

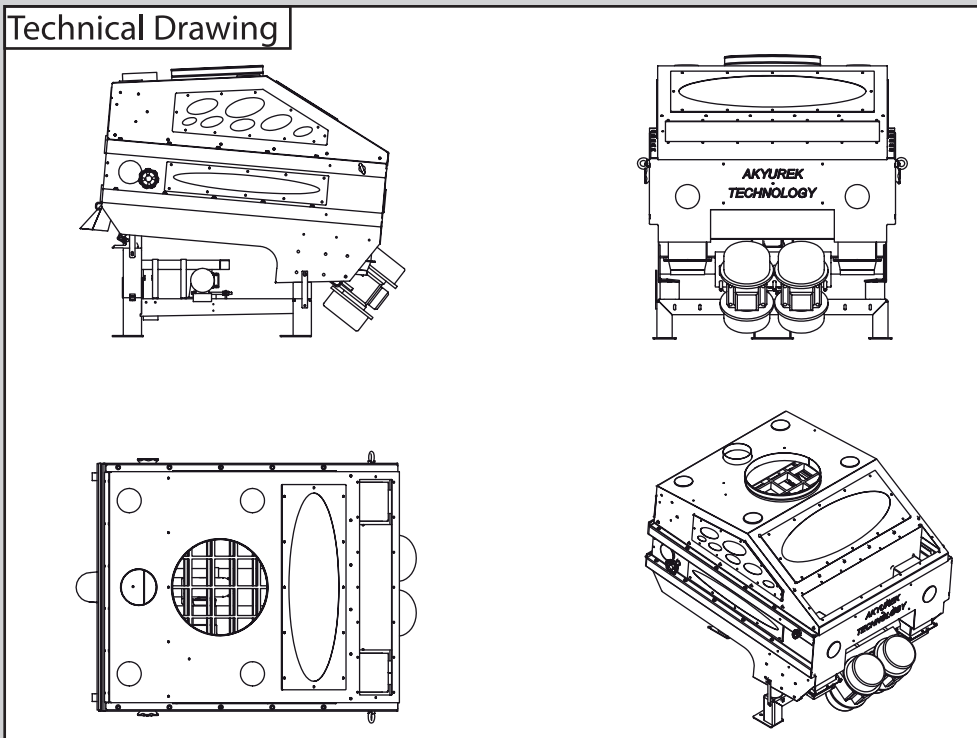
De-Stoner Machine is for efficient separation of stones and metal, glass, and other high-density (heavier) admixtures from seed lot. Pre and Fine Screen cleaned seed as well graded seed (in sizes) would still contain same size admixtures and impurities. Admixtures that are heavier than seed lot can be separated via De-Stoner machine.

Work Principle

For uniformed separation seed lot feed into the Pre-Storage hopper via conveyor. Linear feeding of seed lot on to Stone Separator plays a crucial role. A fluidized air bed generated on Stone Separator deck via aspiration fan for stratification, vibration system conveys stones and heavy admixtures on opposite direction to reject chute whilst accept seed lot leaves the machine on opposite direction from accept chute.

Technical Specifications				
Main Machine Weight	Kg	600		
Machine Size	xyx(mm)	4700	2740	2500
Machine Screening Area	m ²	3		
The Num. Of Screens Machine		2		
Machine Screen Size	mm-xz	1210	1278	
Screen Cleaning		Rubbel Ball		
Machnine Aspirator Motor For Heavy Prodcuts	kW, RPM, Unit	11 kW	2800	1
Machnine Aspirator Motor For Light Prodcuts	kW, RPM, Unit	7 kW	2800	1
Machine Table Setting Motor	kW, RPM, Unit	0,14	14	1
Machine Vibro Motor	kW, RPM, Unit	0,32	1000	2
Seed Inlet Settings		Manual or Actuator with PLC Model		
Noise Level		72 - 82	Maximum Decibel	
Aspirator Air Volume		Empty	17000 - 1000 m ³	
Machine Color		Acrylic Gray - Acrylic White		
Standard Voltage	Volt	380	Total Power	12-16 kw
Machine Manufacture Material	st 44		Birch Wood	
Capacity Chart				
Wheat (760 kg Cubic Meter)		10 ton		
Sesame (600 kg Cubic Meter)		8 ton		
Sunflower Seed (350 kg Cubic Meter)		5,3 ton		

Technical Drawing



➔ Rare Earth Magnetic Belt Separator



RARE EARTY MAGNATIC BELT SEPARATOR MB-1500

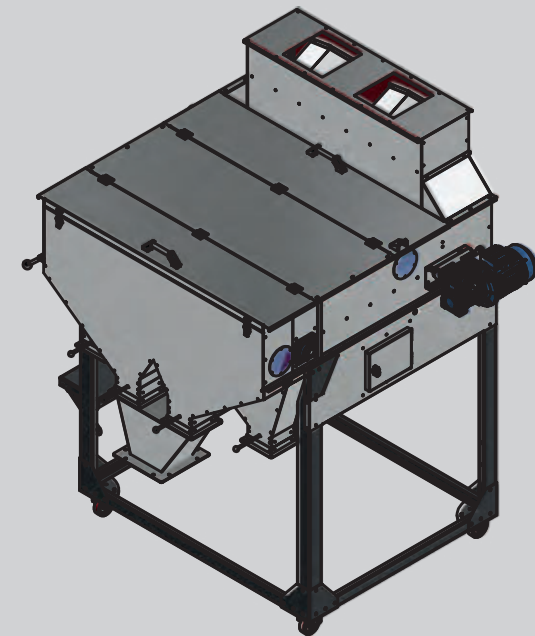
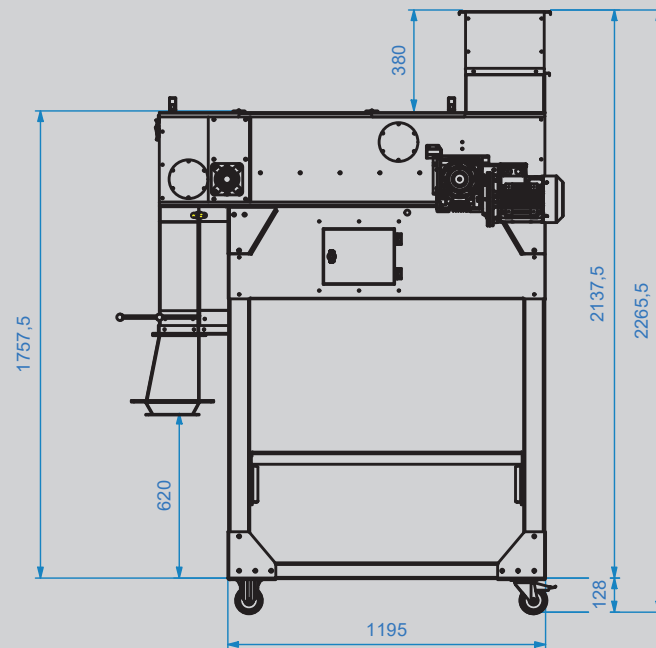
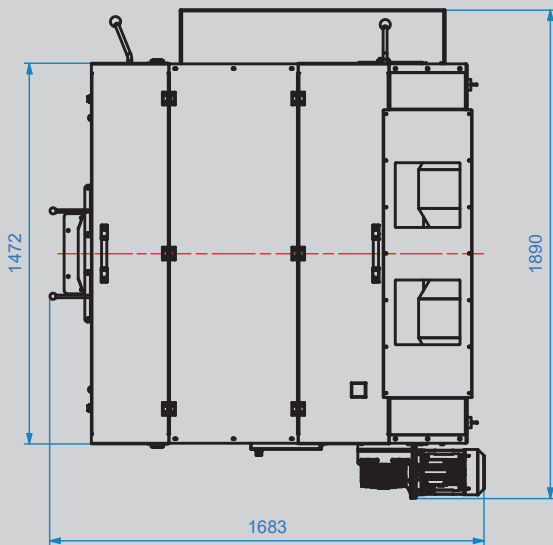
Akyurek's Rare Earth Magnetic Belt Separator has a wide range of application for likes of Food, Feed, Milling, Pharmaceutical, Chemical and Recycling Industries.

Rare Earth Magnetic Belt Separator; a short Belt conveyor with a Magnetic Pulley which separates ferromagnetic and paramagnetic particles from nonmagnetic particles that flow freely off at the end of the Belt conveyor.

Separation of any item that can be loaded with

- Simple and Effective Equipment
- Easy to use
- User Friendly
- Built to last

CAPACITY	
Wheat	5 tph
Chickpea	5 tph
Beans	5 tph
Sunflower Seeds	3 tph
Sesame	3 tph
Chia	3 tph





INDENT CYLINDER SEPARATOR ICS 1000-1600

Function And Application

Pocket cylinder is used for separating all grain substances (wheat, oat, thin seeds lentil, beet seeds, sunflower seed) from unwanted short products and wastes depending on their lengths. These grains may be between 1,0-24 mm. Product passes through the inlet and arrives to internal rotation cylinder and then notches called as active pockets within the container. Grains are carried through after entering into pockets and fall onto internal container out of pockets after being carried to a certain distance. (yellow arrow) They are discharged with other shell wastes. Accordingly, products are separated and graded in accordance with their length and roundness.

Serial Production

Akyurek Kardesler performs serial production for its machines and ensures short term delivery guarantee. Machines are subjected to quality control test prior to delivery. Therefore, high quality standards and long operation life are guaranteed.

Cylinder Wall

Cylinder wall is the most important part of the grader. Quality of separation and amount of waste materials depend on manufacturing of the cylinder. Therefore, due diligence is given to workmanship and material utilisation during manufacturing.

Cylinder Slope

Adjustable slope assembly (0-3 degrees) or fixed slope assembly may be attached by us upon request. This operation the result of separation.

Types Of Pockets

We provide round and drop shaped pockets based on functions depending on the types of separator. This difference enables us to optimize the grain quality and minimize the waste.

Controlling The Separation

Our separator is designed with two large control windows at exit direction. That enables the user to control correct separation instantly during process without any accident risks. It also enables the user to take samples from control ranges at any time without having any danger risks.

Pocket Per Cm²

Akyurek Kardesler is one of the rare companies self manufacturing cylinder parts as a grain separator cylinder manufacturer. That makes us independent from external manufacturers and ensures us to fulfil special requirements of pockets those may be created per cm². Therefore, we reach to a higher classification separation speed and a better separation quality than other manufacturer companies.

Coating For Resistance

Additional coating may be applied for providing resistance in order to protect the machine during processing highly corrosive products.

Adjustable Speed

Mechanic or electronic adjustable speed control devices may be supplied upon request.

Automatic Container Setting

Adjustment engine may be added to container arrangement system upon request.

Hardened Parts

We may produced hardened parts upon request. Their lives are longer as well as they are used for products with highly corroding products.

Replacement Of Cylinder Parts

The machines is designed with clamps ensuring rapid fixation and removal by dividing the cylinder container into many pieces for replacing the product being processed and keeping cleaning costs at the minimum level possible.

Container Insulation

Insulation assembly is available between tub and cylinder in all separator types. This insulation between cylinder and container prevents penetration of unwanted pieces into container and maintains more effective and specialized grain separation.

Drivers

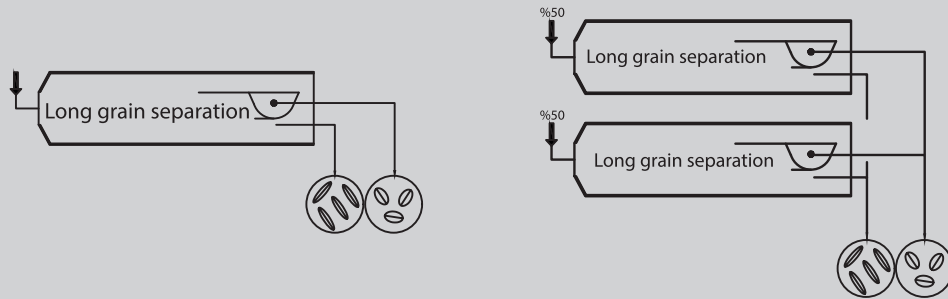
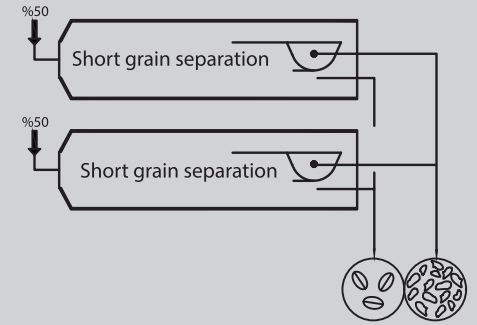
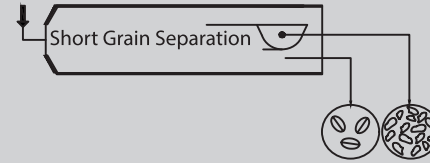
Chain, belt or gear pulley drivers are used in our separators for guaranteeing smooth and effective operation. Error and failure risks are reduced and possible operation costs and material failures are minimized. Gear engines used by us are manufactured by one of the leading gear engine manufacturers of the world with wide service network. Therefore, very rapid movement and problem solving can be possible in case of a failure regardless the place on the world.

Design

Separators are designed as horizontal cylinder with fully enclosed tub container. This design enables functioning of cylinder parts. When the protection cap is opened, machine is automatically stopped with the safety switch.

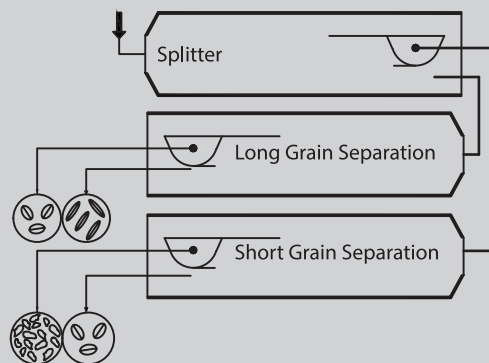
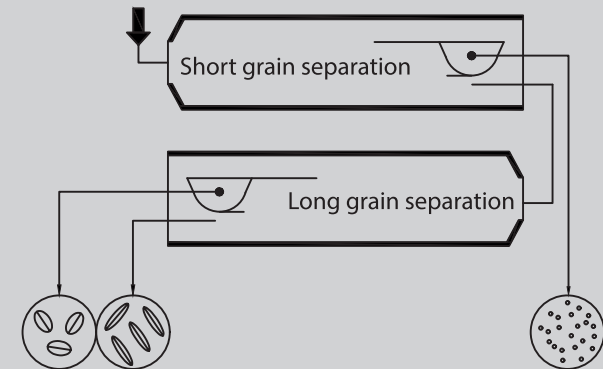
→ Seed Separators → Screen Cleaners → Length Separator → Mega Trieur

TECHNICAL DATA	Type IC SHORT SEPARATOR									
	ICSS1010	ICSS2010	ICSS3010	ICSS4010	ICSS5010	ICSS6010	ICSS8010	ICSS10010	ICSS12010	ICSS16010
Capacity t/h										
Wheat	1,0	2,0	3,0	4,0	5,0	6,0	8,0	10,0	12,0	16,0
Barley	0,8	1,6	2,4	3,2	4,0	4,8	6,4	8,0	9,6	12,8
Rice (white)	0,4	0,8	1,2	1,6	2,0	2,4	3,2	4,0	4,8	6,4
Motor (standard) kW	0,37	0,55	1,1	1,1	1,1	1,1	3,0	3,0	3,0	4,0
Air requirement m³/min	6	7	9	9	9	9	12	12	12	12
Cylinder dim. mm										
Ø	400	400	600	600	600	600	900	900	900	900
Length	1000	2000	1500	2000	2500	3000	2000	2500	3000	4000
Dimensions mm										
Length	1760	2840	2545	3045	3545	4045	3320	3820	4325	5325
Width	640	640	860	860	860	860	1202	1202	1202	1202
Height	620	620	870	870	870	870	1240	1240	1240	1240
Net Weight kg	270	370	510	582	620	750	990	1120	1245	1315



TECHNICAL DATA	Type IC LONG SEPARATOR									
	ICLS1010	ICLS2010	ICLS3010	ICLS4010	ICLS5010	ICLS6010	ICLS8010	ICLS10010	ICLS12010	ICLS16010
Capacity t/h										
Wheat	1,0	2,0	3,0	4,0	5,0	6,0	8,0	10,0	12,0	16,0
Barley	0,8	1,6	2,4	3,2	4,0	4,8	6,4	8,0	9,6	12,8
Rice (white)	0,4	0,8	1,2	1,6	2,0	2,4	3,2	4,0	4,8	6,4
Motor (standard) kW	0,37	0,55	1,1	1,1	1,1	1,1	3,0	3,0	3,0	4,0
Air requirement m³/min	6	7	9	9	9	9	12	12	12	12
Cylinder dim. mm										
Ø	400	400	600	600	600	600	900	900	900	900
Length	1000	2000	1500	2000	2500	3000	2000	2500	3000	4000
Dimensions mm										
Length	1760	2840	2545	3045	3545	4045	3320	3820	4325	5325
Width	640	640	860	860	860	860	1202	1202	1202	1202
Height	620	620	870	870	870	870	1240	1240	1240	1240
Net Weight kg	270	370	510	582	620	750	990	1120	1245	1315

TECHNICAL DATA	Type IC SHORT & LONG SEPARATOR									
	ICSL1020	ICSL2020	ICSL3020	ICSL4020	ICSL5020	ICSL6020	ICSL8020	ICSL10020	ICSL12020	ICSL16020
Capacity t/h										
Wheat	1,0	2,0	3,0	4,0	5,0	6,0	8,0	10,0	12,0	16,0
Barley	0,8	1,6	2,4	3,2	4,0	4,8	6,4	8,0	9,6	12,8
Rice (white)	0,4	0,8	1,2	1,6	2,0	2,4	3,2	4,0	4,8	6,4
Motor (standard) kW	2x0,37	2x0,55	2x1,1	2x1,1	2x1,1	2x1,1	2x3,0	2x3,0	2x3,0	2x4,0
Air requirement m³/min	6	7	9	9	9	9	12	12	12	12
Cylinder dim. mm										
Ø	400	400	600	600	600	600	900	900	900	900
Length	1000	2000	1500	2000	2500	3000	2000	2500	3000	4000
Dimensions mm										
Length	2107	3145	2905	3405	3905	4445	3765	4265	4765	5775
Width	640	640	860	860	860	860	1202	1202	1202	1205
Height	1240	1240	1740	1740	1740	1740	2480	2480	2480	2480
Net Weight kg	540	740	1020	1170	1240	1500	1980	2240	2490	2630



TECNICAL DATA	Type IC SPLITTER & SHORT & LONG SEPARATOR									
	1030	2030	3030	4030	5030	6030	8030	10030	12030	16030
Motor (standard) kW	3x0,25	3x0,55	3x1,1	3x1,1	3x1,1	3x1,1	3x3,0	3x3,0	3x3,0	3x4,0
Air Requirement m³/min	12	14	18	18	18	18	24	24	24	24
Cylinder dim. mm										
Ø	400	400	600	600	600	600	900	900	900	900
Length	1000	2000	1500	2000	2500	3000	2000	2500	3000	4000
Dimensions mm										
Length	2107	3145	2905	3405	3905	4405	3765	4765	4765	5775
Width	640	640	860	860	860	860	1202	1202	1202	1205
Height	1860	1860	2610	2610	2610	2610	3720	3720	3720	3715
Net Weight kg	810	1110	1530	1760	1860	2250	2970	3360	3735	3540



GRAVITY SEPARATOR G.MAC-010

Akyurek Technology G.MAC-010 Gravity Separator – machines for the perfect separation of products with a different weight, grading by specific weight of product with very slight differences in size and/or weight, which cannot be separated by screening (width) or by indented cylinders (length).

APPLICATIONS

- Seed processing of grain, cereals, corn, fine seed, legumes, cotton seeds, oil seeds, paddy
- Food processing separation of impurities in vegetables, lentils, peas, chick peas, beans, coffee, peanuts, hazelnuts, almonds, etc.
- Separation of metals, plastic, rubber, wood, minerals.
- Sorting of tree seeds, pulses, grasses, herbs.

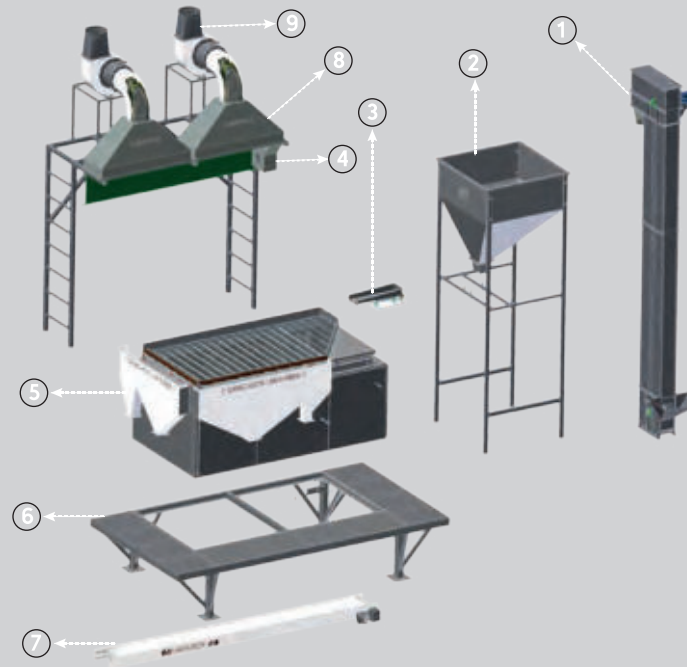
WORK PRINCIPLE

The separator works on a fluidised bed principle; air is forced through the deck causing the light fraction to float above the heavy fraction. The deck is reciprocated causing the heavy fraction to move uphill, while the light fraction floats downhill. Variations in deck speed, air volume, deck material, deck angle (lengthwise and sidewise), and take-off points allow effective separation to be achieved on almost any dry product. The Re-Sort Conveyor Belt which is located below the Gravity Separator's Platform conveys the middling seeds to the feeder elevator so the seeds that are not certain of their quality are re-separated thus allowing the operator to control the output quality in finer results.

Technical Data	G.MAC-010 LAB	G.MAC-010 MEDIUM	G.MAC-010 LARGE	G.MAC-010 XLAR.	G.MAC-010 XXLAR.
CAPACITY					
CORN, WHEAT, SOYBEANS	1 t/h	2 to 4 t/h	4 to 6 t/h	6 to 8 t/h	8 to 12,5 t/h
PEAS	750 kg	1,5 to 2 t/h	3,5 to 5 t/h	5 to 7,5 t/h	7,5 to 10 t/h
CLOVER, PAPER SEED	350 kg	0,8 to 1,25 t/h	1,5 to 2,50 t/h	2,5 to 3 t/h	3,5 to 4,5 t/h
COFFEE GREEN	1,3 kg	3 t/h	6,5 t/h	10 t/h	15 t/h
FAN DRIVE	1 unit 3KW	3 unit. 4KW	3 unit 5.5 KW	4 unit 5.5 KW	4 unit 5.5 KW
ECCENTRIC DRIVE MOTOR	1,5 KW	1,5 KW	1,5 KW	2,2 KW	3 KW
TABLE AREA	1,2 m ²	1,9 m ²	3,6 m ²	4,6 m ²	7,2 m ²
AIR REQUIREMENT m ³ /min	35	150	250	450	600
DIMENSIONS					
LENGTH	1740 mm	3000 mm	3000 mm	3330 mm	3330 mm
WIDTH	1640 mm	4100 mm	4100 mm	4995 mm	4995 mm
HEIGHT	1400 mm	3900 mm	3900 mm	3390 mm	3390 mm
NET WEIGHT	1500 kg	1500 kg	2000 kg	2500 kg	3500 kg

ASSEMBLY VARIATIONS

- ① Elevator
- ② Intake pre-storage hopper
- ③ Linear Feeder
- ④ Cascade
- ⑤ Gravity Separator
- ⑥ Platform
- ⑦ Re-sort Conveyor Belt
- ⑧ Partial Dust Hood
- ⑧a Full Dust Hood
- ⑨ Centrifugal Aspirator
- ⑩ Cyclone



LABORATORY MODEL
1,2 m²



MEDIUM MODEL
1,9 m²



LARGE MODEL
3,6 m²



XLARGE MODEL
5 m²



XXLARGE MODEL
7,2 m²



SORTURK COLOR SORTER – FREE FLOW TYPE

Ultimate: high resolution TRICHROMATIC FULL COLOR RGB sorter with integrated shape–sizing system.

Technological: image acquisition using HSI technology to see almost as a human eye. Additional NIR cameras available (option)

Precise: SORTURK 'NEW GENERATION' software can recognize up to 16 families of defects. Optical resolution 0.1mm

Max Capacity: highest production capacity RGB trichromatic sorter with 1 to 10 chutes models

Flexible: Multichannel models divisible in 4 complete independent sections (4 sorters in 1)

Reliable: thanks to over 40 years' experience in electronic sorting

Unique: with airtight, conditioned and tilting optical boxes for their easy opening

COLOR VISUAL PERCEPTION

SORTURK represents the most innovative and flexible sorting solution based on long terms technical experience and a strong concept.

SORTURK optical sorter is equipped with **high-resolution full-color RGB trichromatic cameras** that, combined with HSI software system, **allow a near human eye vision to precisely sort almost any small shade differences.**

SORTURK software setting can count on the **16 families of defects** adjustment, as well as the combination of said 16 groups.

The **SORTURK shape–sizing** function integrated into the system, allows to sort out elements according to their geometric characteristics.

Unique with 10 feeding chutes: SORTURK is available from 1 to 7 chutes, to fulfill every production requirement.

Program settings and adjustments are performed through a user–friendly software, which allows the real image setting directly on the sorter touch–screen, to establish the defective elements to sort out.

The hardware system is organized with easily replaceable electronic boards, using the ultimate **SMD** and **FBGA** technologies. Self–control functions (auto–diagnostics and auto–calibration) ensure an excellent operational stability.

SORTURK can be divided up to **four indpt. sections**, to be used depending on customer's sorting needs (rejects double pass, reverse sorting, etc.).

LED lighting and back–ground systems, exclusively designed for SEA sorters, allow the most precise focusing of the beam on the inspection line.

Highest efficiency granted thanks to optical system composed of:

- 14 RGB – Full color cameras with 4096 pixel grating 0,1mm optical resolution and dimensional control of the defects
- Shape–sizing integrated into the system
- Innovative hardware
- LED lighting system and reference background

Control: the management software allows the use of specific functions such as the **self–setting, self–control, self–calibration** and **memorization of specific working programs.** The provision and launch of a new working program automatically occurs by choosing the desired program

Technical Data								
Machine Model	C1	C2	C3	C4	C5	C6	C7	C10
Voltage (V / Hz)	230 / 50 – 1 Ph (L + N + PE)							
Power (kW)	1	1,4	1,8	2,2	2,6	3	4,5	5,7
Power Supply (kW)	3	3	3	3	3	3	3	6
Air Pressure (mpa)	0,6 – 0,8							
Machine Air Entry (inç)	1" (inç)							
Air Consumption (lt)	300–1000	600–1500	1000–2000	1500–2400	2000–3000	2500–3600	3000–4500	4600–5500
Weight (Kg)	550	617	748	890	1043	1170	1710	2050
NIR Camera	Optional							
Camera Type	CCD Color							
Number of Blows (Enjector)	63	126	189	252	315	378	441	630
Channel Width (mm)	120 * 30							
Exit File	2 + (Splashing Grain)							

→ Seed Separators

→ Screen Cleaners

→ Color Sorter

→ SORTURK Color Sorter - Free Flow Type



SORTURK C-1



SORTURK C-2



SORTURK C-3



SORTURK C-4



SORTURK C-5



SORTURK C-6



SORTURK C-7



SORTURK C-10



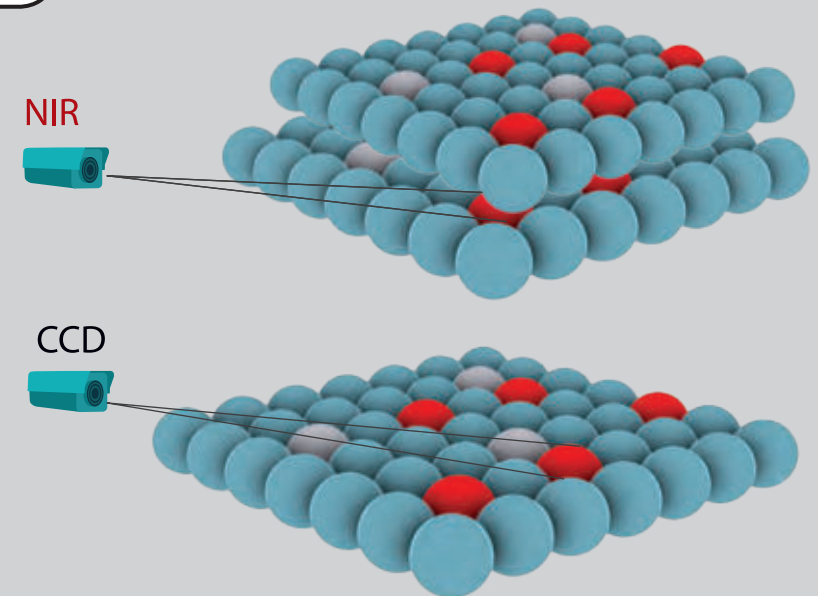
SORTURK COLOR SORTER – BELT TYPE

SORTURK perfectly suits the needs of modern food and non-food processing systems that demand the optical sorters ability to detect and reject products having a similar color but with different shades. Some typical examples for which the highest sorting accuracy is required are the allergen removal, in particular soy beans out of wheat, or separation of elements containing gluten out of gluten-free cereals (maize, rice, buckwheat). Other evident advantages arising from

SORTURK application can be found into mixed-colors pulses process (kidney beans, lentils, peas, fava beans, etc.), for which the monochromatic, and even bi-chromatic optical sorting technologies are not able to grant the excellent performance assured by SORTURK trichromatic technology. For some special applications, SORTURK can be equipped with additional NIR cameras, to identify through infrared some defects and contaminations, that wouldn't be detectable in the visible light; therefore, the combination with RGB allows to exploit all the four frequencies. SORTURK represents nowadays the state-of-the-art optical sorting technology which is able to match the increasingly stringent requirements of food commodities industry, ensuring that safety and purity requirements are met.

Some advantages:

- Near human eye vision color sorting technology, using 16 million colors, allows the best sorting performances
- SORTURK Full-color cameras optical system, with dimensional control of the defects, allows 0.1mm optical resolution
- SORTURK image acquisition allows the easy and accurate setting of the defects to remove. Software adjustment is completely automatic thanks to HSI technology
- Shape-sizing integrated into the system
- Most concentrated rejects, thanks to customized hi-tech ejectors
- Highest production capacities, automatically regulated by a feeder control device
- Possibility to have simultaneous product resort, even with reverse sorting
- Possibility to add sloping chutes for sorter upgrading or production increase
- Possibility to install additional cameras operating in NIR even after machine installation at working premises
- Led lighting system
- Automatic cleaning system, with adjustable frequency and duration
- Tilting optical boxes, to allow an easy internal access for maintenance operations
- Airtight optical boxes with controlled temperature
- Designed mechanics grants the highest hygiene and prevents product outflow or accumulation
- Provision with de-dusting suction systems
- 15-inches display with full-color and multilingual touch-screen
- Flexible and user-friendly
- Interactive remote control
- Reduced electric and compressed air consumptions
- CE certification
- Possibility of certification conforming with Atex normative
- Guarantee of a market leading company for 40 years!



Technical Data			
Machine Model	30 HORIZONTAL	60 HORIZONTAL	120 HORIZONTAL
Power (Kw)	1,4 kW	1,8 kW	2,4 kW
Weight (Kg)	660 kg	935 kg	1270 kg
Flow	1000 lt	600/1500 lt	1500/2400 lt



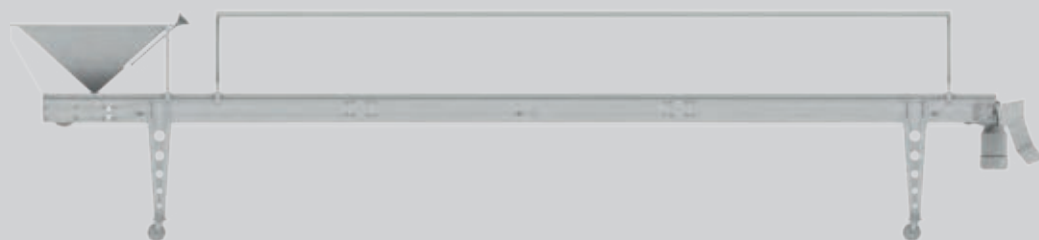
INSPECTION CONVEYOR BELT S.BELT-011

Work Principle

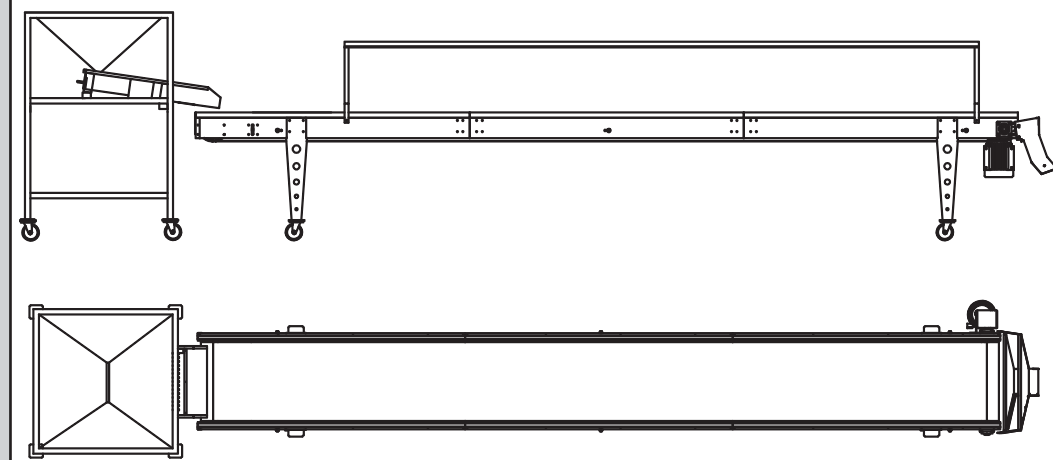
Seed is feed to the Pre-Storage Hopper and for uniform feeding Hopper gate adjust as per need. Seed moves on the conveyor belt and a brush located on top of the belt single layers the seed. Operators that sits on the side of the Inspection belt visually detect and hand pick the rejects/impurities whilst the conveyor belt conveys seed in front of them. Visually inspect seeds conveyed to the end of the belt and discharged from chute to next stage. Final control equipment in a Seed Conditioning Plant.

Function

Inspection belt is used for final controls. Some of cleaned products might still contains sme discolored or impurities in them after various stages of cleaning. It is advisable for the businesses, which has no color sorter machine to use this equipment to color sort their commodities by operators. It can also bu used for final check after color sorted commodity cleaning.



Technical Drawing



Technical Data	Model A	Model B	Model C	Model D
Length (m)	4 (m)	6 (m)	8 (m)	10 (m)
Standard Width (cm)	60 (cm)	60 (cm)	60 (cm)	60 (cm)
Opsiyonel Width (cm)	50-100 (cm)	50-100 (cm)	50-100 (cm)	50-100 (cm)
Belt Type	Flat	Flat	Flat	Flat
Motor (kW)	0,75 (kW)	0,75 (kW)	1,1 (kW)	1,5 (kW)
Weight (Kg)	260 (Kg)	360 (Kg)	460 (Kg)	560 (Kg)
Standard Voltage (Volt)	380 (Volt)	380 (Volt)	380 (Volt)	380 (Volt)
Opsiyonel Voltage (Volt)	220-440 (Volt)	220-440 (Volt)	220-440 (Volt)	220-440 (Volt)
Lighting	Standard	Standard	Standard	Standard
Wheel	Standard	Standard	Standard	Standard
Optional Specifications				
Speed Control Device (Invertor)	+	+	+	+
Reject Product Line	+	+	+	+
with Seat	+	+	+	+
Chrome Pre Storage Hopper	+	+	+	+



AIR RECYCLING ASPIRATOR ARA-100

Work Principle

The air-recycling aspirator ARA is applied for the separation of low-density particles in an aspiration channel from granular products such as soft wheat, rye, barley, oats, beans, chickpeas, sunflower seeds, Sesame Seeds, corn (maize).

High degree of separation thanks to excellent separating efficiency.

The air-recycling aspirator ARA is characterized by its excellent separating efficiency, which ensures a high degree of separation:

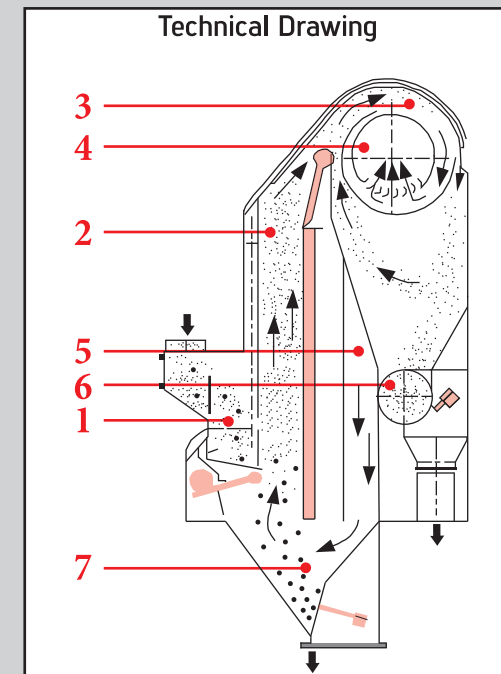
The uniform distribution of the air across the entire width of the aspiration channel and the dually adjustable wall in the vertical aspiration channel ensure stable and reliable separation. The degree of separation can be selected with high precision, preventing unnecessary product loss.

The advantages of system

The evacuated recyclable exhauster as the name suggests the vacuumed air which is created with exhausters recycles within its own internal system to process compressed air. The sucked air without discarding it provides endless cycle of own internal circulation. In meanwhile all powder foreign weak grains, which are in product, are sucked and precipitated in precipitate hooper.

- * The system will not throw air outside, so it is used without polluting the environment
- * The system does not require the cyclone.
- * Created a large vacuum power with a small motor power.
- * It creates at the same time both vacuum effect and compressed air effect.
- * As it is a closed circuit in the factory, it provides dust-free pre-cleaning

- 1- Product feed with eccentric drive
- 2- Aspiration channel with double adjustable wall
- 3- Integrated separator for low density product
- 4- Radial fan for recycling air
- 5- Air recycling channel
- 6- Screw conveyor with discharge gate for low-density product
- 7- Outlet with finger valves for discharge of heavy product





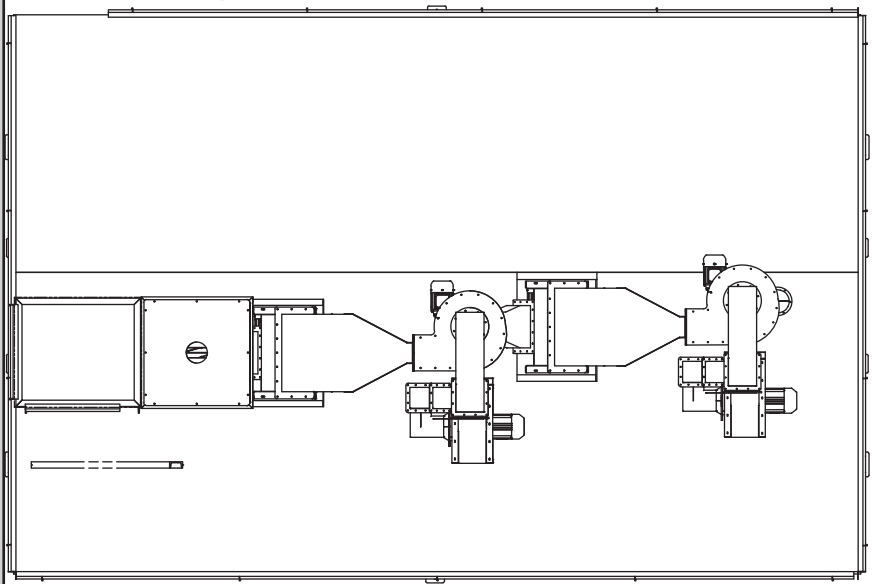
ZIG ZAG SEPARATORS ZZAS

The feed material is conveyed onto an airproof item to the separator channel. According to the multiple-cross flow separating process, light material is separated from heavy material. The air flow required for separation is blown through the separation channel from bottom to top. Light material is carried by the air flow up stream in to cyclone and through rotary sack in to sack on to the next conveyor. Heavy material cannot be carried by the air flow and falls through the air flow and is discharged through the separator base. The light material transported by the air flow to the cyclone gets separated there and is discharged via rotary gate valve. Zig Zag Air Separator Plants are usually operated in recirculation air mode, whereby the cleaned air is returned via blower to the separator base. In case of dusty or moist products the operation of the plant is also possible in partly air circulation or suction mode. The required air flow and pressure is generated by a radial blower.

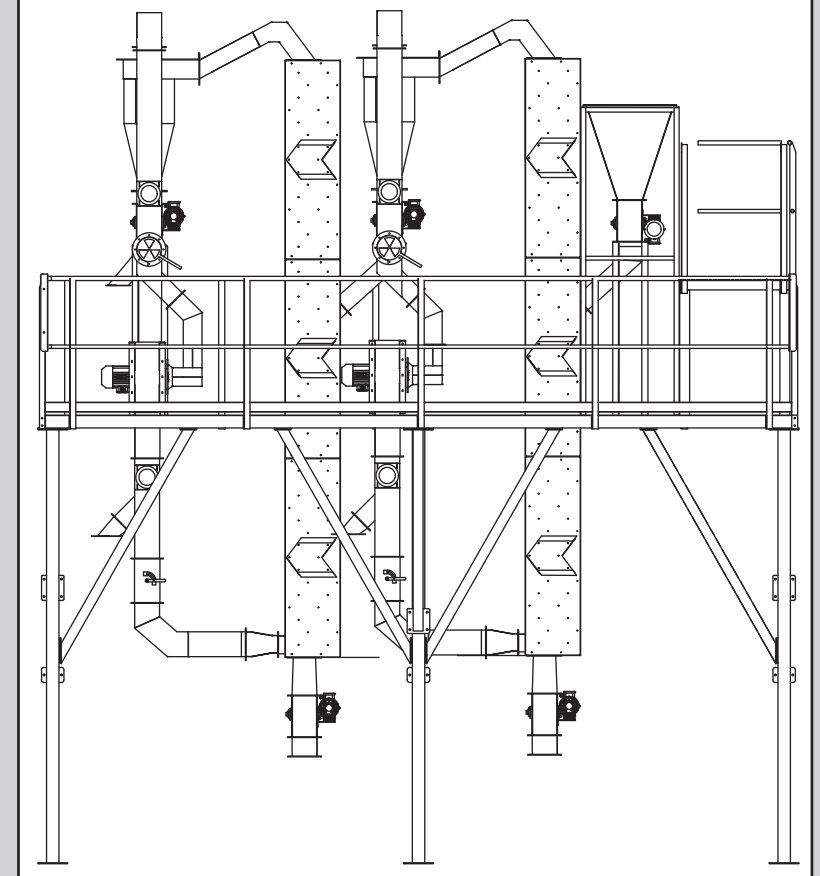
Application of the Zig Zag air separator:

- Very precise separation due to by multi-stage-cross-flow separation (8 to 15 separation stages).
- Based on arranged upon another separation steps and the consequential multiple impacts of the mass flow, the desagglomeration and release of product knots is ensured.
- To reach stable operating conditions, we use a special designed ventilator rotor disk.
- Constant product quality is provided via regulation of air flow and -control (optional).
- Due to additional cleaning valves in the separator channel the plant can be cleaned easily.
- In the air recirculation mode exists no emission source.
- Long life span due to robust construction and no rotating parts in the separator.
- Sturdy design.

Technical Drawing



Technical Drawing





DE-AWNER MACHINE K.KIRAN-054

De-awner is used for pre-treatment of various grain types; the purpose of the de-awning operation is to remove awns from barley kernels, loose husks from wheat, and to clip oat kernels.

The clipper/de-awner can be used where heavy de-awning is required but also for products where only a light de-awning is needed.

- Robust and wear-resistant construction
- Adjustable processing intensity the two stage RPM settings and its infinitely adjustable bottom scraper
- Bolted housing made of sheet steel
- Agitator shaft available optionally with rounded or square pin beaters gentle to products
- Drive unit with electric motor
- Optional with exchangeable wear plates for additional friction

Akyurek Technology Deawners Overview

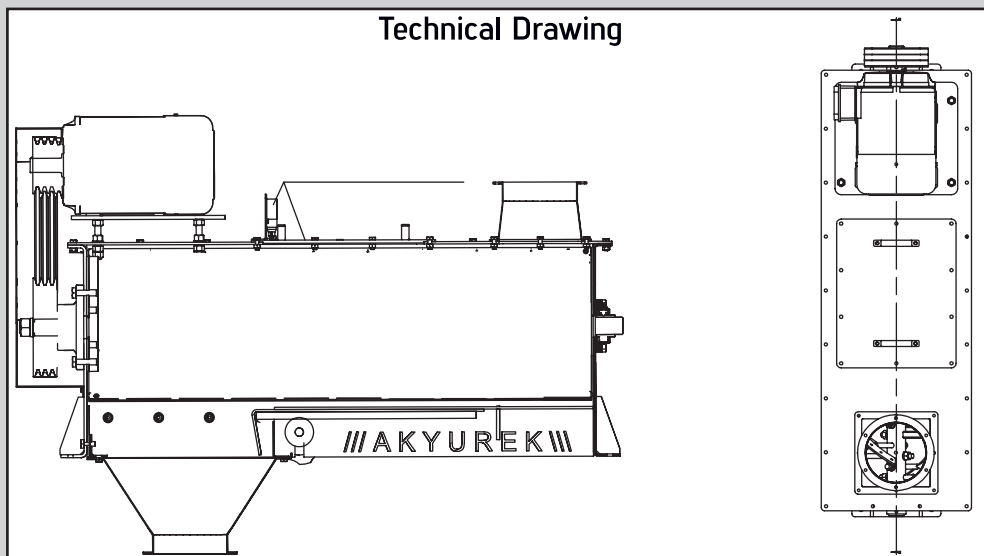
Deawners was designed primarily to debarb barley and wheat, but it has since become one of the most versatile machines in the entire Akyürek line. Available with direct or variable speed drive.

Ease of Use

Deawner machines are adjustable during operation with little training using controls and gauges.

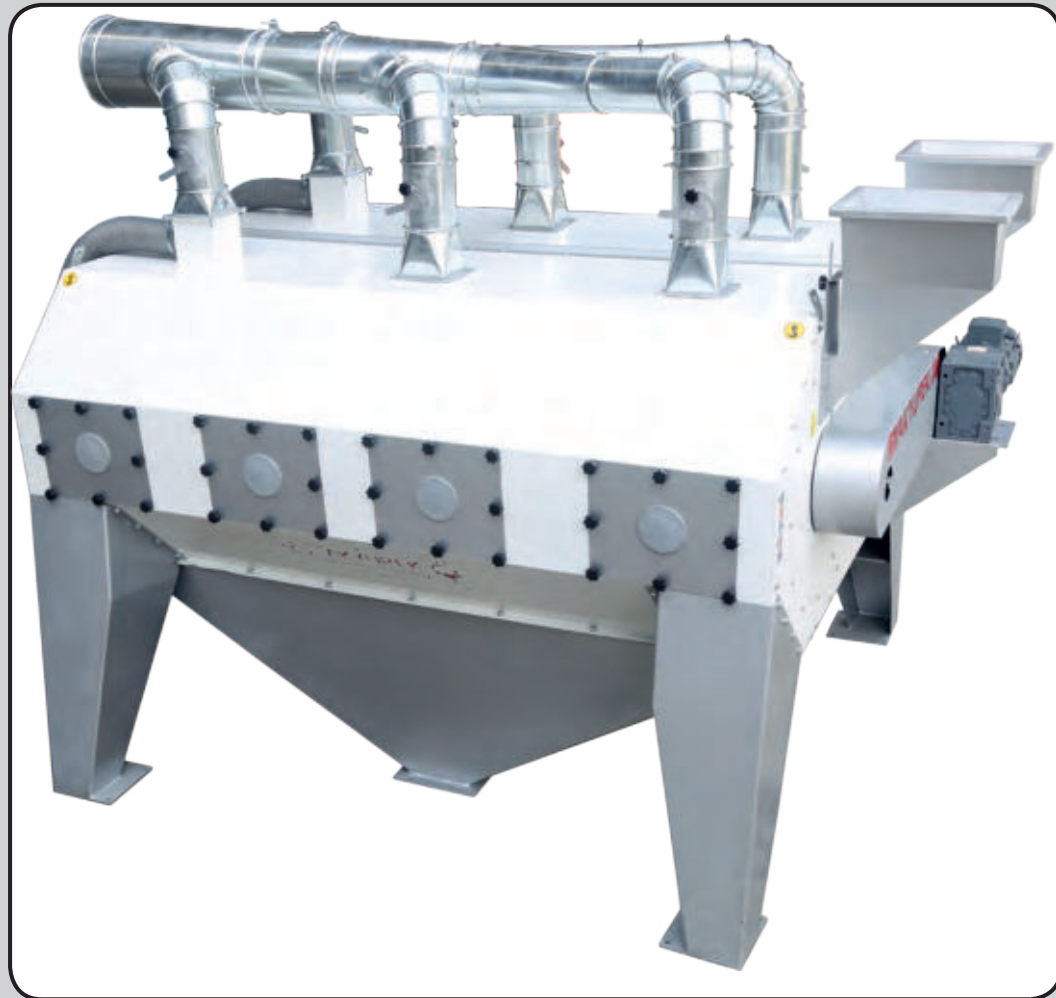
Durability

The Akyurek Technology Deawners has been reliable and versatile machines.



Technical Data

FEATURES			
Model	AWN-053	AWN-054	AWN-055
Capacity (Ton)	5-10	10-15	15-20
Weight (Kg)	280	300	420
Parametric Dimensions	1400-1150-490	1600-1150-490	2100-1300-490
Engine Power	4,0	5,5	7,5
Drive System	Belt pulley system		
Energy Consumption	4,0 Kw	5,5 Kw	7,5 Kw
Frequency	50 Hz		
Security	Mechanic Switch		



BRUSH DE-AWNER MACHINES AKYUREKEXCELL BRUSH

The Akyurek Excell Brush De-awner Machines are suitable for handling grass seeds and clovers, and separating of double grasses as well as removing dust from seed lot. It is likewise employed to remove the hairy tails from germ end of oats. The brush machines are designed in a modular system and available with up to 4 cylinders. The last digit indicates the number of cylinders which may be arranged in series or in parallel (refer to diagram below).

The brush machines are designed in a modular system and available with up to 4 cylinders.

The last digit indicates the number of cylinders which may be arranged in series or in parallel (refer to diagram below).

The type Excell 150.1 is manufactured in single execution while type 150.2 comprises two cylinders, etc.

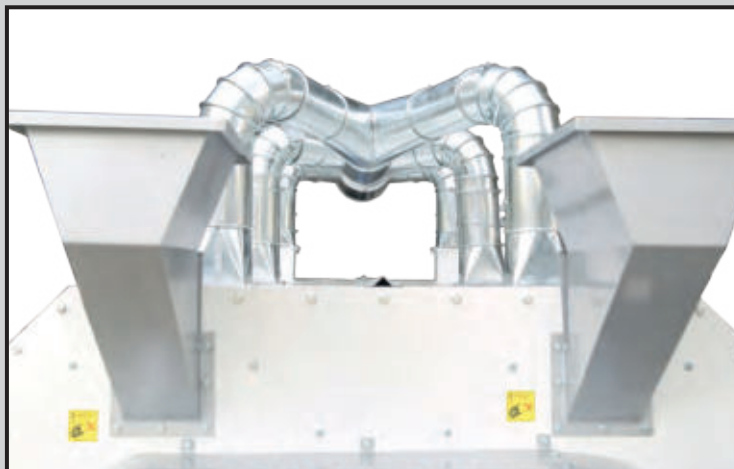
Each cylinder is equipped with four brushes which sweep the inner surface of the wire mesh basket.

Each cylinder basket consists of a two part easily interchangeable mesh and is available in various material and perforations.

All types of Excell brush machines are totally enclosed, dust proof, and provided with aspirator spout for connection to the general dust collecting system or to a separate fan and cyclone.

To obtain optimal performance all the main adjustments are achieved by means of control handles conveniently positioned outside the machine.

Technical Data				
MODELS	150.1	150.2	150.3	150.4
Length	2275	2275	2275	2275
Width	1300	1300	1300	2460
Height	1730	3400	4000	3400
Power	3 kW	2x3 kW	3x3 kW	4x3 kW



→ Small-Scale Air/Screen Cleaner



SMALL SCALE AIR/SCREEN CLEANER LTEM-350x600

The LTEM-350x600 Small-Scale Air/Screen Cleaner is a precision and fine cleaner for research stations, institutes etc.

The LTEM can be used for batch and continuous flow separation and is very well suited for cleaning of a large variety of seed types.

The LTEM-350x600 Small-Scale Air/Screen Cleaner offers the below features:

- Inlet with capacity shutter and vibrator feeder with start/stop and potentiometer.
- Aspiration system with pre-aspiration and final aspiration connected to an air recirculation system.
- Screen section consisting of one sieve boat with 1 short scalping screen and 2 long grading/sand screen layers; the 2 long screen layers with rubber ball cleaning.

Inspection windows.

- 4 collecting drawers for removed product.
- Variable drive of sieve boat with frequency converter.

The machine is of steel construction with sieve boat of laminated wood.

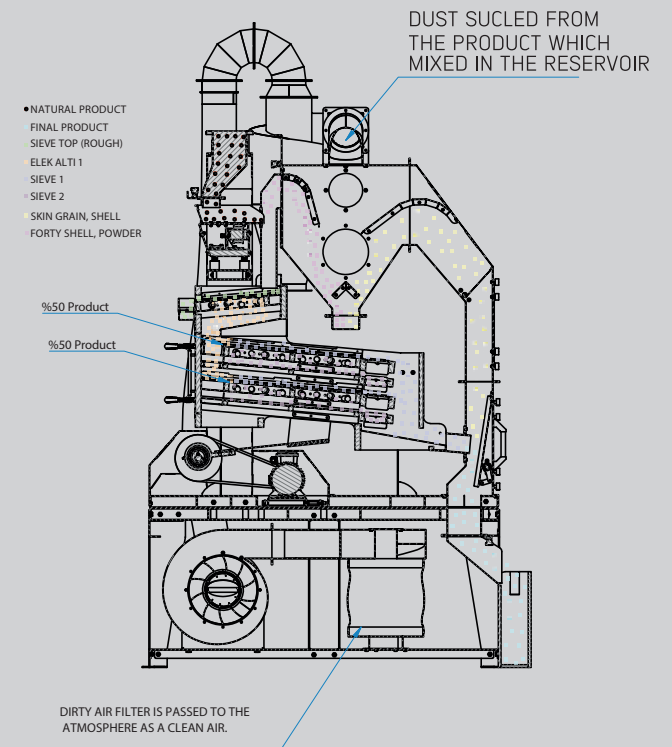
Options:

- Rotary valve for aspiration chamber; incl. 6 kW motor
- Air velocity meter in final aspiration channel
- Extension for inlet (25 l)
- Outlet pipes for transport of product to floor level
- Extended outlet trays and plastic sleeves for transport of product to floor level
- Three long screen layers with rubber ball cleaning (1 scalping and 2 grading) (0.4 m²)
- Autotransformer for 110 V, 60 Hz

DISTINGUISHING ADVANTAGES:

- Inlet with capacity shutter and vibrator feeder for precise feed control and cleaning of a wide variety of products
- Highly efficient air system ensuring a uniform aspiration and a good separation of the product
- Air recirculation system with integrated fan and dust suction unit for a dustless operation
- Screen section with easily accessible quick-change screens with superior cleaning system
- Electrical controls for easy connection into a 230 V outlet; Autotransformer for 110 V also available
- Easy clean-down when changing from one product to another
- In right or left-hand construction to suit individual plant layouts
- Low maintenance costs

TECHNICAL SPECIFICATIONS:	LTEM-350x600
Screen area m ²	0.105 + 0.21 + 0.21 = 0.525
Screen size L x W mm – short scalping	350 x 300
Screen size LxW mm–long grading/sand	350 x 600 x 2 Levels
Motors V	1 x 230
Fan motor kW	1.1
Sieve boat motor kW	0.37
Vibrator feeder motor kW	0.17



→ Small Scale De-Stoner



SMAL SCALE DE - STONER LTTAM 450*900

The LTTAM Small scale De-Stoner is designed for continuous flow separation of small volumes of seed and grain, which have already been fine cleaned.

The Stoner separator exploits the smallest differences in the specific weight of a product and it is therefore possible to separate heavy admixture from light seed.

The LTTAM Stone separator offers the below features:

- ° Inlet with capacity shutter.
 - ° Oscillating triangular grading deck with air distribution plate and standard covering.
 - ° Eccentric shaft with digital readout.
 - ° Manually adjustable: deck inclinations tilt / fixed stroke length - deck speed fixed - air volume shutter adjustable -
 - ° Outlet section
 - ° Integrated fan with frequency converter.
 - ° Collecting drawers for 2 fractions.
 - ° Motors. The machine is of steel construction with the grading deck of laminated wood.
- Options:
- ° Extension for inlet (25 l)
 - ° Aspiration hood above the deck
 - ° Outlet pipes for transport of product to floor level

TECHNICAL SPECIFICATIONS: LTTAM-450*900

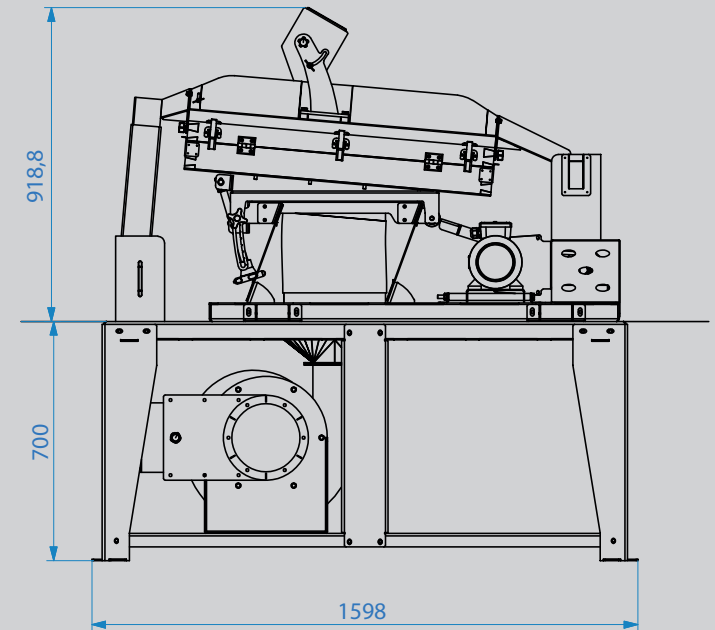
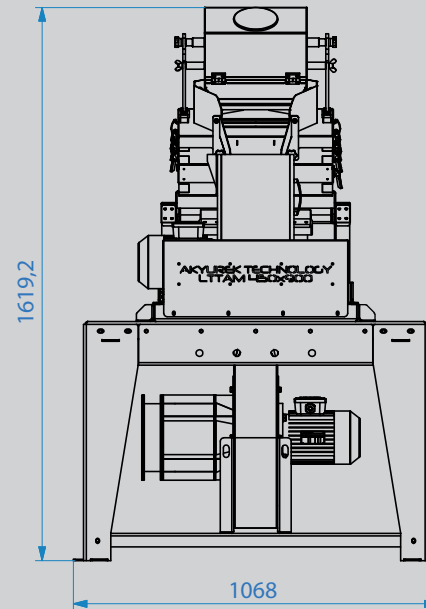
Grading deck 40.5 cm²
Motor for integrated fan kW 1.1
Motor for deck speed kW 0.37

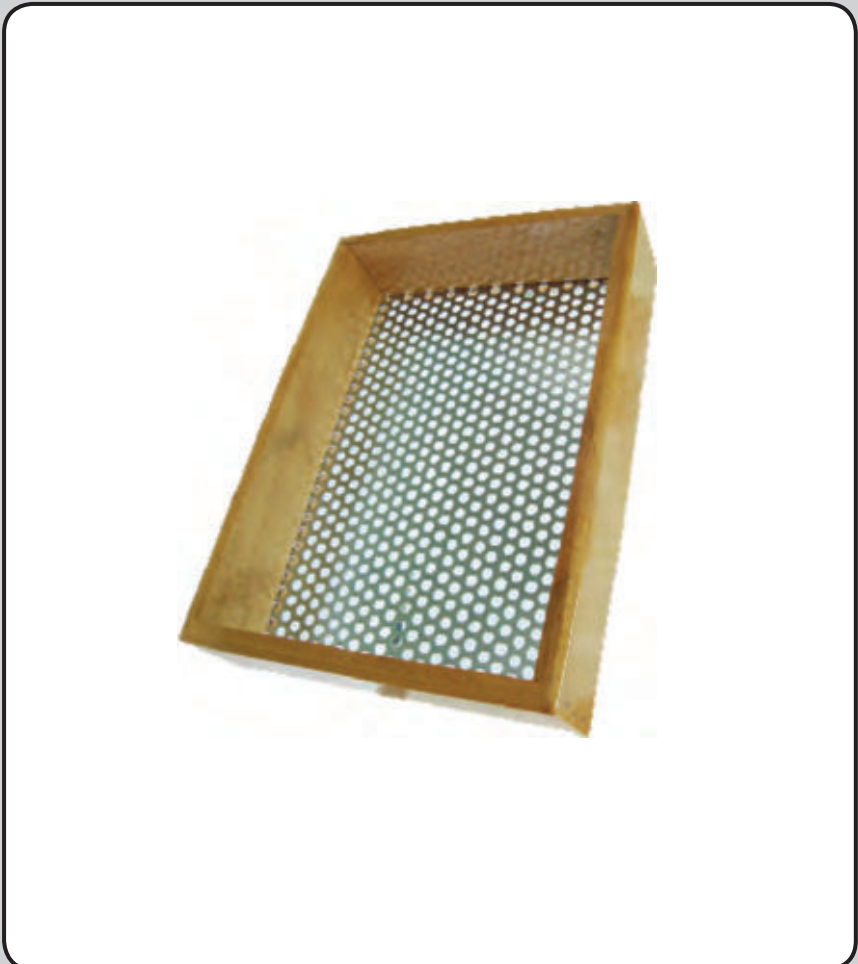
DISTINGUISHING ADVANTAGES:

- ° Highly efficient air system with integrated fan ensuring a uniform air distribution across the entire grading deck
- ° Oscillating triangular grading deck for accurate splitting of the product into heavy and light fractions in one operation
- ° Electrical controls for easy connection into a 230 V outlet; Autotransformer for 110 V also available
- ° Easy clean-down when changing from one product to another
- ° Low maintenance cost

SMAL SCALE DE - STONER LTTAM 450*900

Eksantirik Motoru	0,25 kw 915 d- dak
Aspirator Motoru	1,1 kw 3000 d- dak
Toplam Güç Serfiyatı	1,35 kw
Elek Ölçüsü	450 * 900 mm
Eleme Alanı	0,35 m ²





HAND SCREEN SET LAB-001

Akyurek Technology sieve analysis, seed and grain bought and sold, the seed has established itself as an enhancement to be included each company makes improvements and processing. Uses of sieve analysis; Undesired substances (rough / sieve, dust / undersize) easily and quickly determine the ratio.

- Seed Contain in so easily and quickly identify the proportion of products that can be sorted.
- Seed Treatment and rehabilitation stages Sifting the screen easily and quickly determined to be installed.
- Seed Breeder with use of a small amount of experimental or laboratory purposes for seeds in enterprises.

Stencil Wood

Wooden frames as spruce and beech Sieve Analysis is available in two varieties and two types and the travel office in this tye can be supplied in two different sizes.

ANALYSIS BOARD

Wood Analysis Board as spruce and beech are two kinds of these two types and Office-type and the travel can be supplied in two different sizes.

SCREENS

Screens are available in two types as black plate and galvanized plate and both types can be supplied in two different sizes as Office Type and Travel Type.

Screen types Split-slot (oval) Plate						
Product Code	Product Name	Office Type Width x Length x Wall Thickness	Quantity	Product Code	Travel Type Width x Length x Wall Thickness	Quantity
ANE-SSE-OT 24x35	Black Plate Screen	24cm x 34,5cm x 1mm		ANE-SSE-OT 15x15	41cm x 26cm x 1mm	
ANE-GSE-OT 24x35	Galvanized Plate Screen	24cm x 34,5cm x 1mm		ANE-GSE-OT 15x15	15cm x 15cm x 1mm	

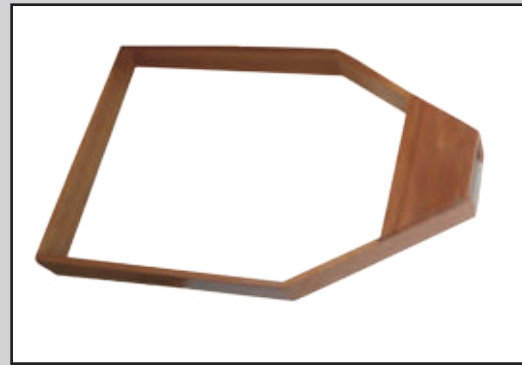


Screen Framework Wooden

Wooden Analysis Screen frameworks are available in two types as Spruce and Hornbeam and both types can be supplied in two different sizes as Office Type and Travel Type.



Screen types Split-slot (oval) Plate						
Product Code	Product Name	Office Type Width x Length x Wall Thickness	Quantity	Product Code	Travel Type Width x Length x Wall Thickness	Quantity
ANE-SSE-OT 24x35	Black Plate Screen	24cm x 34,5cm x 1mm		ANE-SSE-OT 15x15	41cm x 26cm x 6,5cm	
ANE-GSE-OT 24x35	Galvanized Plate Screen	24cm x 34,5cm x 1mm		ANE-GSE-OT 15x15	15cm x 15cm x 1mm	



ANALYSIS TRAY

Wooden Analysis Tray is available in two types as Spruce and Hornbeam and both types can be supplied in two different sizes as Office Type and Travel Type.

Analysis Table						
Product Code	Product Name	Office Type Width x Length x Wall Thickness	Quantity	Product Code	Travel Type Width x Length x Wall Thickness	Quantity
ANE-AT-LA-OT	Spruce Tree-Unvarnished	75cm x 50cm x 8cm		ANE-AT-LA-ST	41cm x 26cm x 6,5cm	
ANE-AT-GA-OT	Hornbeam Tree-Varnished	75cm x 50cm x 8cm		ANE-AT-LA-ST	15cm x 15cm x 1mm	

SCREEN SHELF

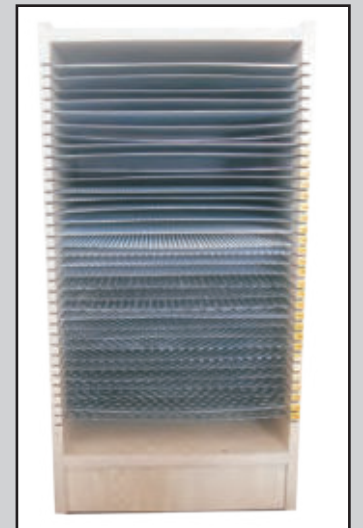
MDF Wood – 12" and 24"

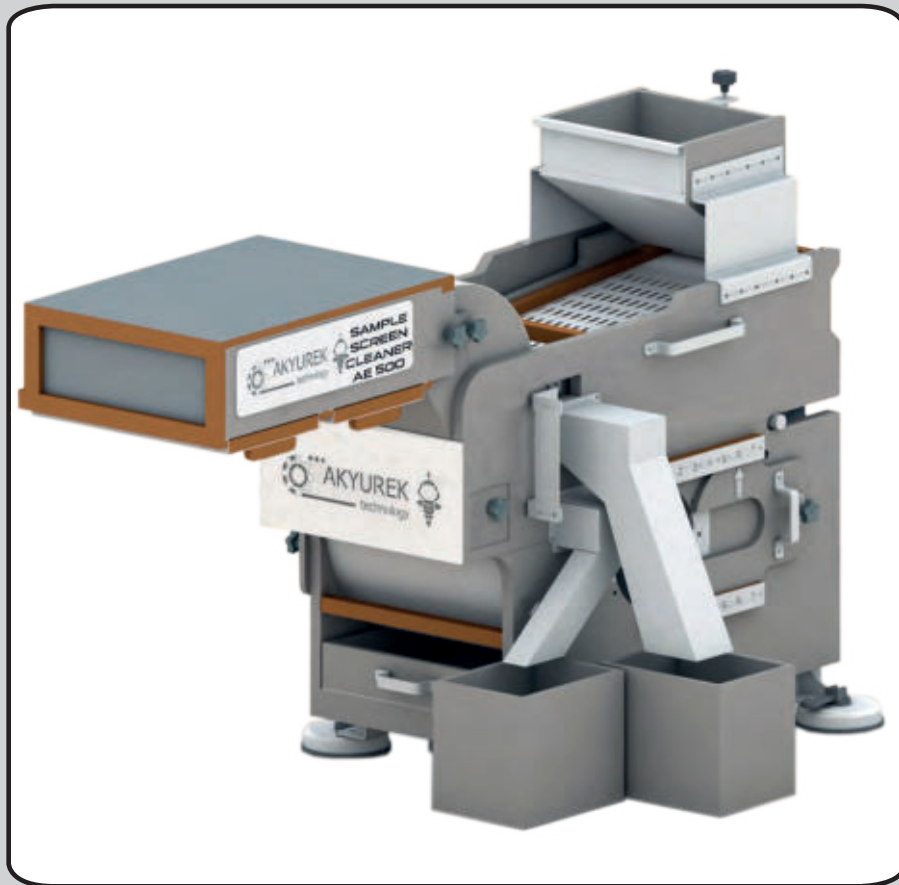
Options: Drawer – Wooden Glass Closet Cap

Wooden Shelf Screen Rack

24 or 12 pieces of Analysis screens with 24 cm x 34,5 cm dimensions can be placed in the wooden screen shelf closet. It is designed to carry screens without any possibility of damaging during carriage with vehicle in case of turnover. Shelf System is an excellent way for preventing damages of screen bores and using screens as granted for rapidly controlling available screens. Shelf option is available for storing tools such as brush, notebook and sensitive scale required during analysis. Also, Wooden Glass Closet Cap option is available for the closet with shelves.

Wooden Analysis Screens Closet with Shelf			
Product Code	Product Name	Width x Length x Height	Quantity
ANE-AAERD-MDF 24	MDF Shelf Closet 24"	30,7 cm x 43,5 cm x 61 cm	
ANE-AAERD-MDF 12	MDF Shelf Closet 12"	30,7 cm x 43,5 cm x 61 cm	
Opsiyonlar	Wooden Framed Glass Cap		
	Drawer		





SAMPLE GRAIN SCREENING MACHINE AE 500

Precise and reliable performance for cleaning, testing or sampling in small batches. It has a small and precise bench design.

It is compact and easy to handle.

It is used at the grain plants to sample the large batches.

It is preferred by vegetable and flower producers and seed shops for special cleaning, special calibrating and special sizing.

It is used in a number of seed laboratories.

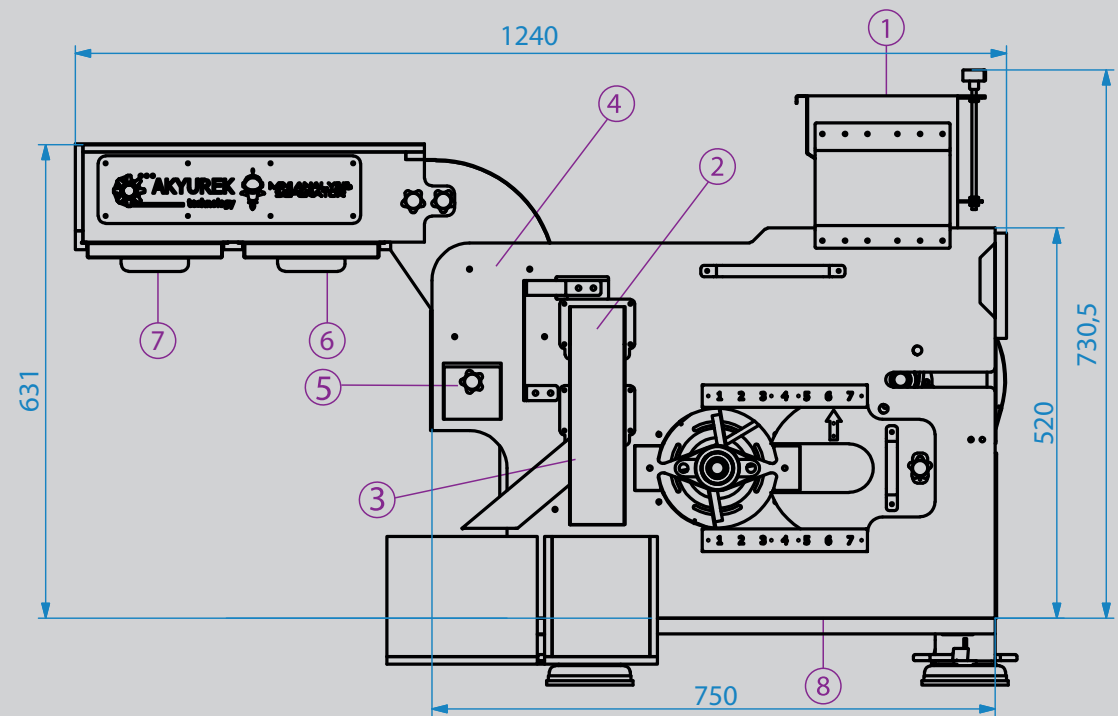
Available in 120 different sizes; large and small screen size.

There are two 25x45xm screens on the screen base. One for the upper separation area and the other for the lower separation area.

Removable grab-all bag serves as an air-filter chamber fitted with an exchangeable tray.

Powered bottom blower is driven by a pulley.

The adjustable slide in the air intake holes ensures intermediate air regulation.



- ① The seeds are transferred to the funnel and evenly distributed across the top screen.
- ② The product then moves on to the upper screen having cavities larger than the product. Foreign mixtures which are coarser than the grains are separated and discharged from the flow through a narrow groove, while the semi-suitable particles fall down through the screen.
- ③ The bottom screen does not separate the product to size. The bottom screen gaps should be smaller than the grains to be cleaned. Small-size basket. The seed particles and the split grains fall down through the screen: these are discharged from the product stream by means of a narrow groove, while the most suitable products pass through this narrow groove and continue to flow. [This is the flow shown in diagram to the left].
- ④ The product is then transferred through the air column from the bottom blower. This air blower effectively removes fine debris and dust that may have remained after the process mentioned above.
- ⑤ Light and semi-hollow seeds are collected in a small container.
- ⑥ Light and semi-empty seeds are collected in a small container
- ⑦ Dust and tiny deposits are collected in a small chamber
- ⑧ Suitable products are poured into a clean grain container at the bottom of the aeration chamber.



HAMMER MILL HM-1000

Akyurek Technology is a leading manufacturer of grain food processing equipment. Akyurek hammer mills grind various products from grain and hulling mills, from breweries and also from feed mills and produce high quality fine grind for mash filtration. The Akyurek hammer mill HMAK functions as a fine grinding mill in food or feed plant production and as a course grinding mill in the formulated feed manufacturing, flour milling and biomass industries.

Efficient and powerful size reduction via Optimized design.

Maximum material contact for proper, efficient size reduction achieved by HMAK's optimal hammer design, placement and optimum hammer bar velocity. Optimal discharge of crushed particles achieved by sophisticated screen design thus reducing energy consumption. Top performances can be delivered by powerful motor with up to 250 kW/

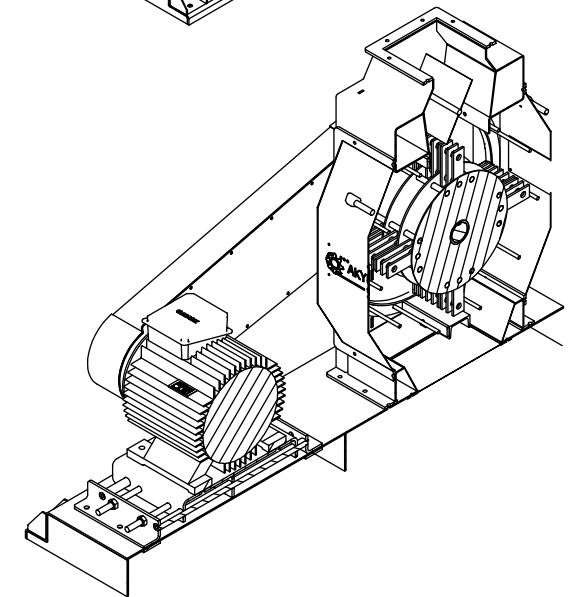
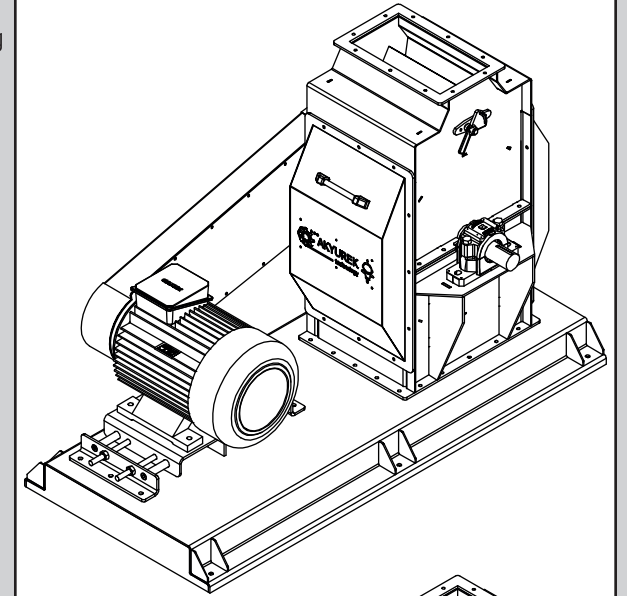
Save time with fast and easy screen and hammer changes.

Easy access to the screens via smart door design. No frames screens requires no tools when exchanging them. Fast and easy access to the hammers with the hammer bar locking mechanism.

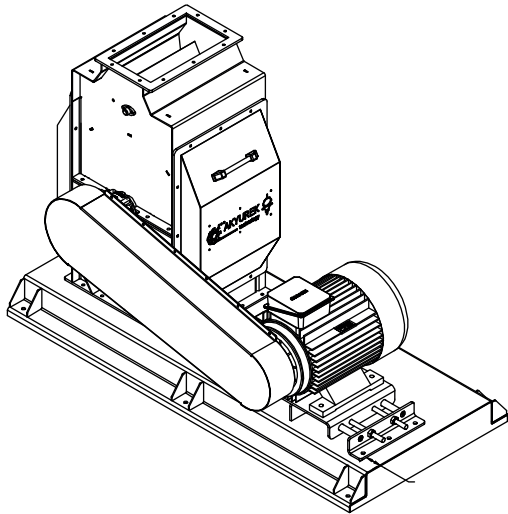
Ability to produce a wide range of particle sizes

Material bulk density around 0.2 to 0.8 kg/dm³ with moisture up to 15% for fine grinding. The HMAK hammer mill equipped with fine screens for particle sizes ranging from 0.3 to 1.5 mm. Material bulk density must be 0.2 to 0.8 kg/dm³, with moisture up to 15% for course grinding. The HMAK hammer mill equipped round-hole screens for particle sizes ranging from 1.5 to 8.0 mm.

Technical Drawing



Technical Drawing



Technical Data		Ø 600x500	Ø 1200x400	Ø 1200x600	Ø 1200x700	Ø 1200x800	Ø 1400x800	Ø 1400x1000
Dimensions	A	1000	1400	1400	1400	1600	1600	1600
	B	1500	2000	2000	2000	2000	2500	3000
	C	900	1300	1300	1300	1300	1500	1600
	Motor Gücü	37 Kw	90 Kw	110 Kw	132 Kw	160 Kw	200 Kw	250 Kw
	Capacity	5 Ton	10 Ton	15 Ton	20 Ton	30 Ton	35 Ton	40 Ton

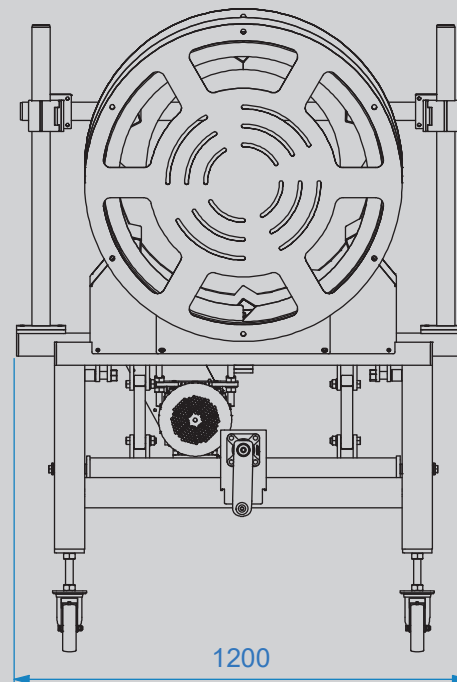
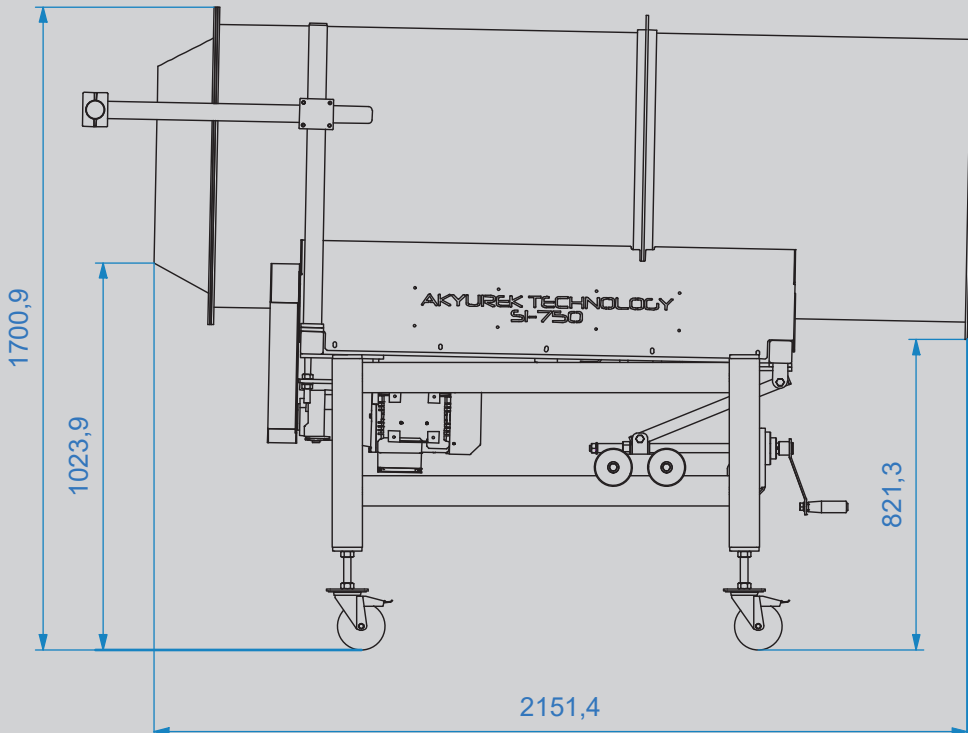


SEED PROCESSING DRUM

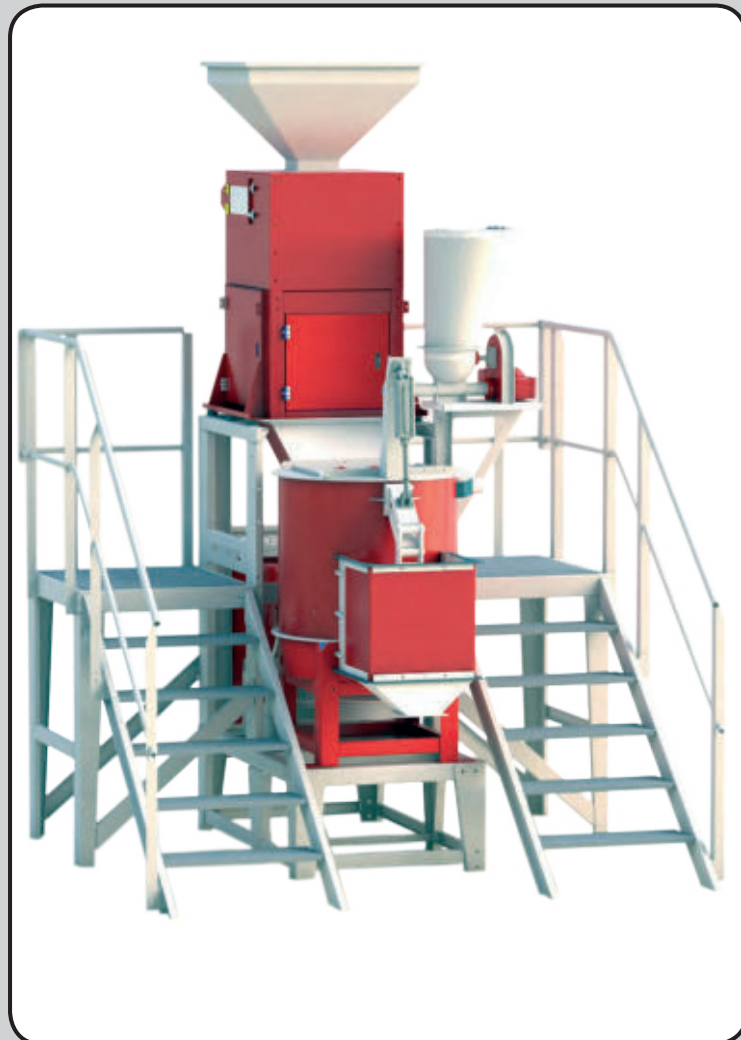
DST series basic processing system is designed to be used for one or more products at the same time by continuously adjusting the seeds to predetermined quantities.

Operation system

The grains flow through the volumetric feeder. Each chamber of the volumetric feeder has the same volume or the same capacity. The wheel speed multiplied by the number of revolutions per minute indicates the volume of grain processed per minute. The pumps that guide the liquids to the spray heads are programmed and calibrated in a way to deliver a certain amount of liquid per minute. The seed and liquid then work in harmony until the system is readjusted for new flow rates. The seed passes through a spray of liquid product atomized by smooth circular screens above the dispersion cone. The homogeneous distribution during application ensures that the seed and liquid mixture are fully homogenized, guaranteeing a high-quality coating. This makes it possible to plant suitable seeds and provides high yields. The mixing drum is driven by the starter motor which gradually switches to variable speeds. The tilt angle of the drum is adjustable. This system, combined with adjustable seed and fluid flow rates, provides maximum flexibility and contributes to obtaining fully encapsulated seeds. The seeds dry enough for immediate bagging and does not create dust formation problems. Seeds, usually operated by lifting or automatic transport system, are fed through the pre-storage funnel. The seeds are poured into a storage/holding tank or a transport vehicle for collection after the processing



Capacity	
Peanut	
Liquid Only [Mushroom Killer]	1.8 - 5.4 m.t/hr
Dry powder only	1.8 - 5.4 m.t/hr
Dry powder only	
Liquid and dry powder	2.7 - 5.4 m.t/hr



BATCH TYPE SEED COATING MACHINE ASBC 50

AKYUREK BATCH type SEED COATING MACHINE is a fully automatic seed spraying machine designed to be installed in a seed processing line. The operator adjusts all necessary parameters via the display, Weight, shaft speed, dosing timing of the slurries, etc. After running the BATCH SEED COATING MACHINE, the seeds are weighed by an internal weigher using the electronic loadcell. Pre-weighed seeds are automatically filled in the mixing chamber.

The dosage settings of the different slurries are made according to the operator's setting. A PLC controls the seeding process, which is the heart of the process. Repeatable operation for this batch is guaranteed for each batch. The entire machine is ready for operation, only the main power supply connection and the compressed air supply connection are required.

There is also a mouth on the ASBC 50 for the connection of the existing ventilation system and the ventilation system must be supplied locally or an individual extractor can be used. Dosage adjustment lines for slurries should be connected to the chemical tank using flexible hoses.

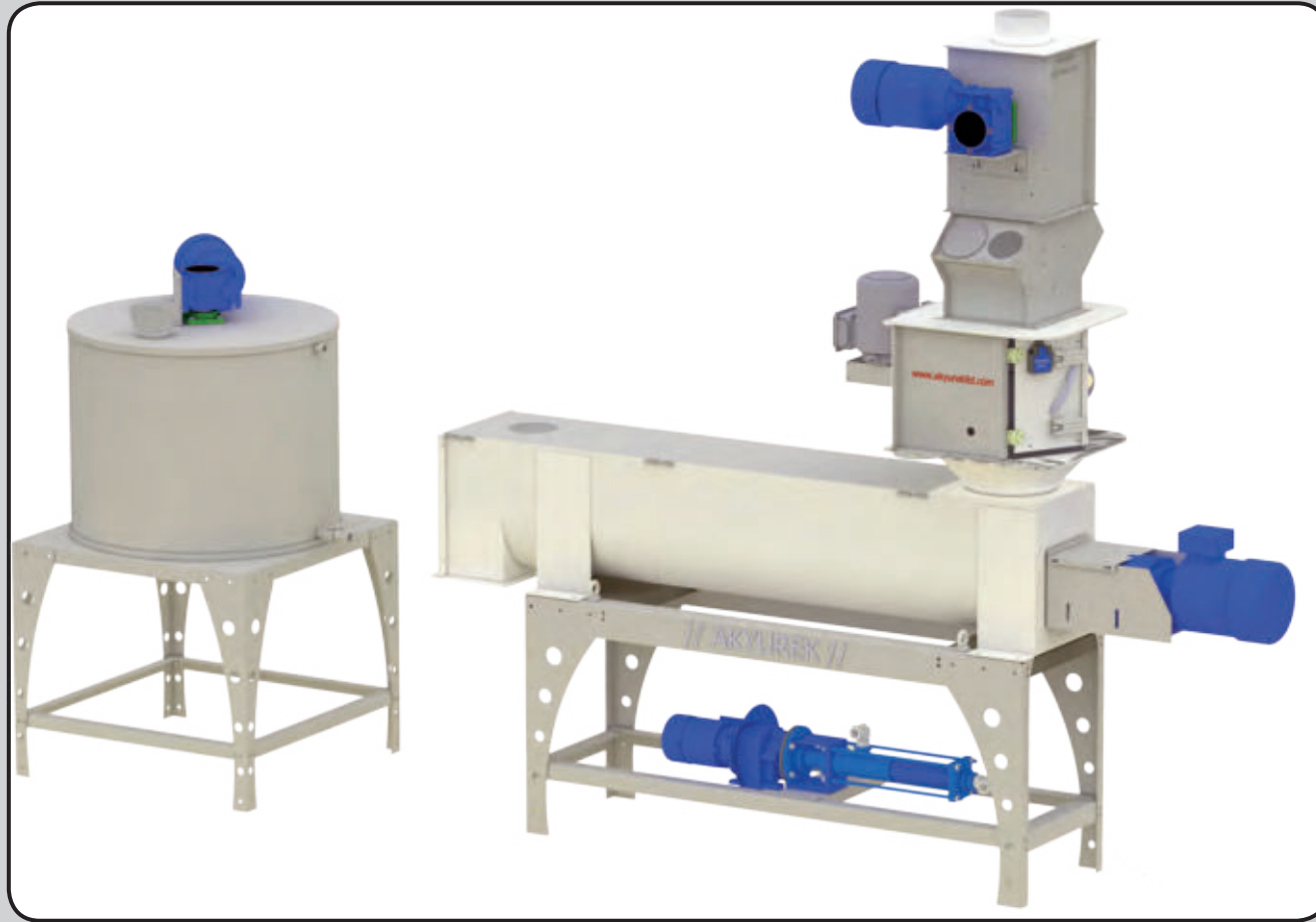
As it is known, the first basic point of plant growth is seed. As long as there are no good seeds, no matter how much the cultivation and maintenance conditions are improved, it is not possible to raise the yield and quality to the desired level. For this reason, on the one hand, as the breeding technique is being developed, it is mainly aimed at improving the varieties, increasing the yield, increasing the quality and also making efforts for the best use of the seed. One of the common methods used for this is the seed coating method.

"ASBC 50" Seed Coating Machine covers the seed with the help of liquid and powder additives by forming a protective shell in the outer zone. This; In the upper part, a product weighing hopper, a powder additive feeder hopper, a liquid additive feeder transparent tube and a rotary table running at the bottom with an electric power perpendicular to the axis are used. These operations can easily be observed and controlled by means of control panel and weighing indicators.

With the help of the fast filling system, the product which has filled the weighing bowl is discharged into the rotating table in the lower body of the machine. According to the specified material order, powder additive and liquid additives are added to the mixture and they are subjected to the swirling movement in the direction of turning the rotary table. When the mixing process is finished, the discharge flap is opened with the aid of the pneumatic pistons and the mixed product is discharged from the body by the acceleration generated by its own centrifugal force and travels through the discharge chamber.

Weighing : Feeding with large flow flaps (slides) using electronic loadcell (with option hand feeder tape)
 Fluid Dosing : Glass cylinders, pumps and flow meters and mass measurement systems are available.
 Powder Feeders : Optional equipment

Technical Data	
MODELS	AKYUREK ASBC 50
Engine	5,5 kW 970 RPM
Powder Feeding Unit	0,37 kW 70 RPM
Aspirator Motor	0,37 kW 2800 RPM
Pump Motor	0,37 kW Speed Controlled
Capacity	5-7 t/h
Power Supply	3/N/PE, 400V, 50 Hz, min 25A
Pneumatic	2,0 Nm ³ /s. 6 Bar
Ventilation	300 m ³ /s @ p=1,5kPA
Single Charging Time	20-25 sc
Weighing Habits	0,1 m ³ (Fast Filling Feature)
One Time Product	Up to 50 Kg
Material Scaling	With Loadcell
Scaling Liquid Additives	With the help of a sclaed tube
Drive Motor Power	5,5 kW
Air Pressure Required	6-7 Bar
Material Rotation Speed	11 m/s
Mixing Room	Up to 50 kg for wheat



CONTINUOUS SEED TREATING MACHINE LIQUID 022

The AKYUREK SEED TREATMENT MACHINE STL LIQUID 022 is used for continuous, wet chemical treating of seed such as grain, corn, pulses etc. All stainless steel manufactured Liquid applicators used for precision coating and pilling of crop with insecticides, fungicides, micronutrients and inoculants to the highest quality standards. Integrated modern control systems provide high process flexibility, process security and process monitoring and documentation. The fully automated operations according to pre-determined formulas, online process data communication, batch and order documentation as well as formula administration guarantee high quality production standards when treating a wide range of products. As well application of chemical to seeds, this machine can be used for water or oil application to lentil, rice, wheat, bulgur and in other tempering processes.

Advantages:

- Continuous, reliable operation
- Simple operation and handling
- Precise dosing of the liquid seed dressing agent and prevention of incorrect treatment due to the integrated automatic checking devices.
- Homogeneous mixing due to fine spraying of the seed dressing agent by the spraying disc and effective mixing in the secondary mixing unit.

Construction:

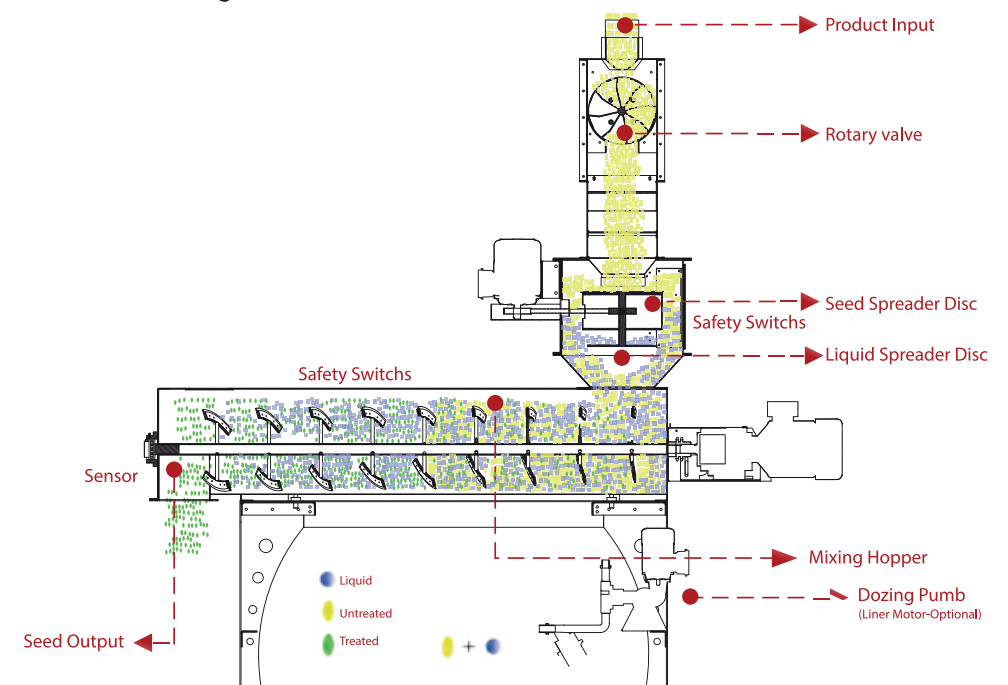
The chemical seed treater consists of the product inlet, the chemical seed treating chamber with the distributing and spraying disc, the dosing unit with a pump and the secondary mixing unit. The drive is operated with a gear motor.

The chemical seed treater is controlled by a control cabinet with a touch panel.

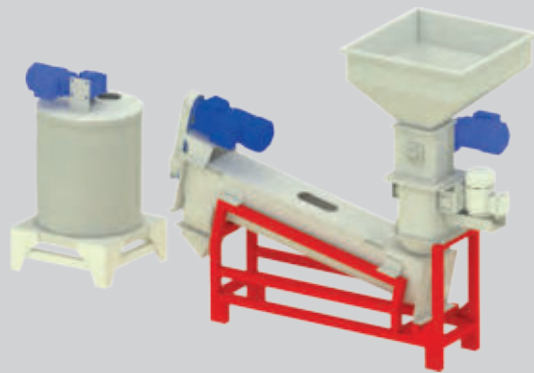
Standard Equipment:

- Bolted housing made of sheet steel
- Chemical seed treating chamber with inlet
- Dosing unit with a pump
- Control cabinet with touch panel and control software
- Secondary mixing unit with a connection for the aspiration
- Drive motors sensors for monitoring and control

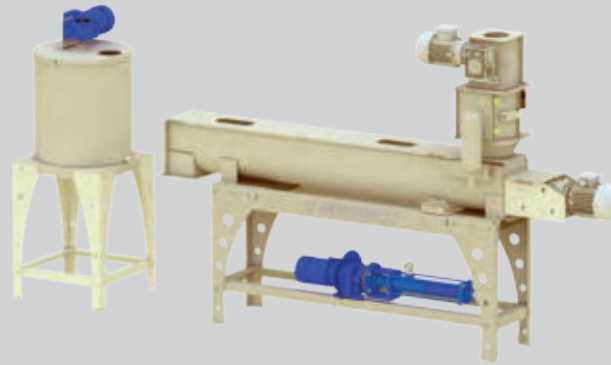
Technical Drawing



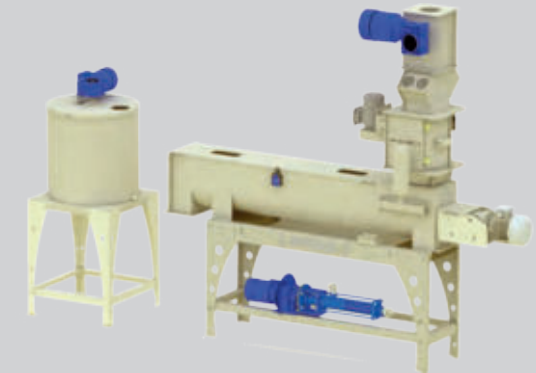
→ Seed Treaters → Continuous Seed Treating Machine



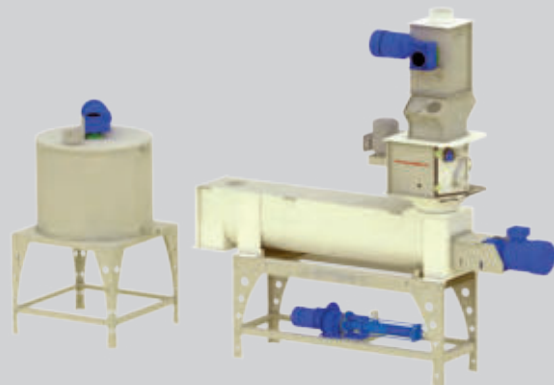
Seed Treatment Liquid 005
(1,0 - 2,5 tph)



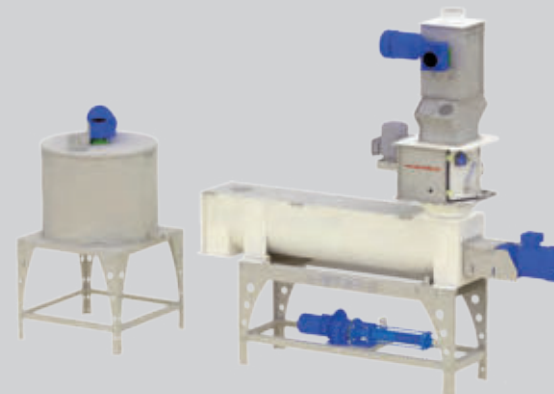
Seed Treatment Liquid 010
(2,50-5 tph)



Seed Treatment Liquid 015
(5,0-10 tph)

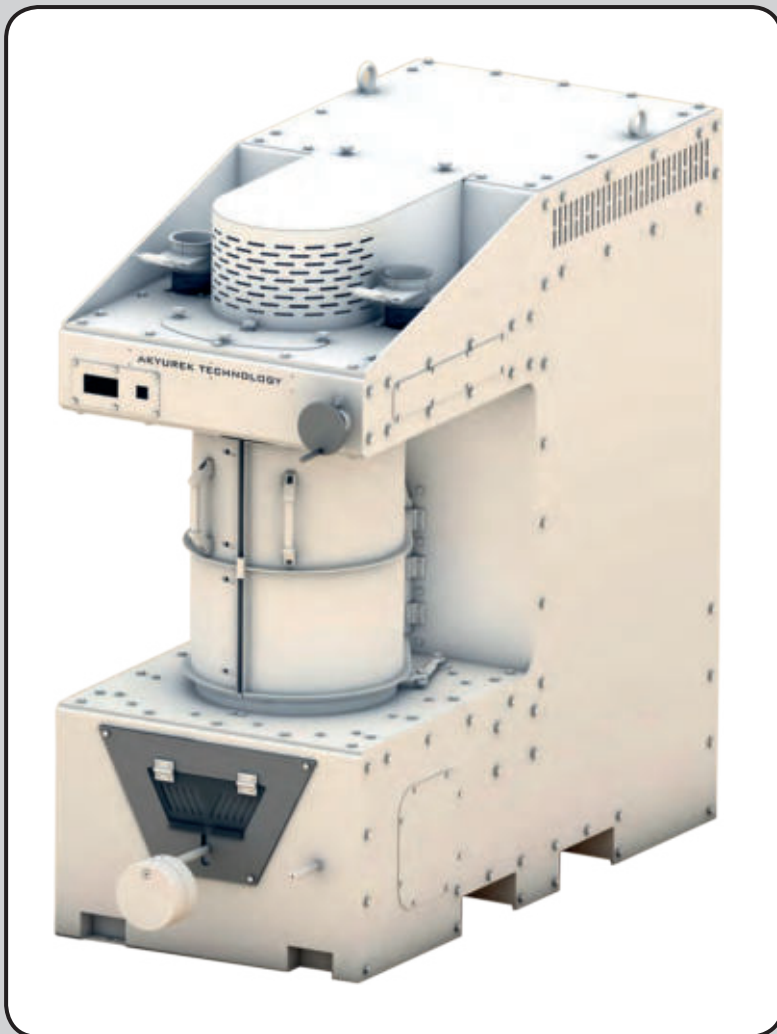


Seed Treatment Liquid 022
(10-15 tph)



Seed Treatment Liquid 030
(15-30 tph)

TECHNICAL DATA		STL 005	STL 010	STL 015	STL 022	STL 030
Capacity / Based on Wheat	t/h	1,0 to 2,5	2,5 to 5	5,0 to 10	10 to 15	20 to 30
ELECTRICAL DRIVES						
Distribution Disc	kW	0,37	0,37	0,37	0,75	0,75
Secondary Mixing Unit	kW	1,1	0,75	1,1	1,5	2,2
Pump	kW	0,90	0,78	0,78	0,18	0,18
Rotary Seed Valve	kW	0,37	0,55	0,55	1,5	1,5
Dosing of Chemical Liquid	ml / 100 kg	20 - 1880	100 - 890	200 - 1880	500 - 1000	500 - 1490



VERTICAL HULLER SPLT 340

The Vertical Huller uses the vertical abrasive, top to bottom working principle which has been proven to achieve the highest whole grain yield. The grain enters the Huller via two inlets and is guided into the processing chamber by a feed screw. There, it is exposed to careful whitening of the grain surface between the six abrasive rings and the screen. As the rotor is dynamically balanced a smooth running is assured. The Hulling intensity is controlled by two easily adjustable means the counterweight of the retaining gate and the gap between rotor and brakes. For coarse adjustment, the vertical brakes attached to the sieve basket are moved simultaneously by simply turning a handwheel and there by tuning the resistance inside the chamber. The fine setting is done by changing the counterweight position of the retaining gate, thus controlling the pressure. The gravity flow of the product allows a trouble-free restart in case of an emergency shut-down.

Application:

The Vertical Huller versatile enough to be adapted to various products such as Wheat, Barley, Peas, Lentil, Millet, Rice, Chickpea, Mung Beans.

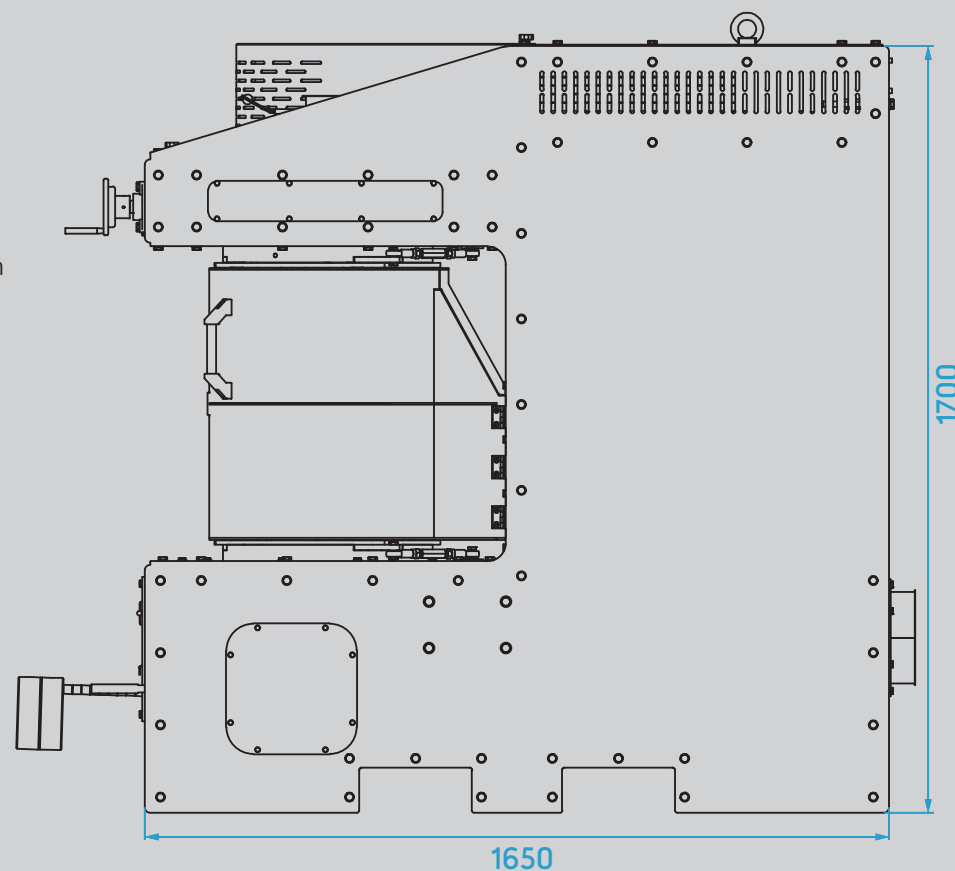
Designed to fulfill the highest needs in gentle Hulling. It is the perfect tool to obtain best surface treatment at highest whole grain yield.

The machine can be operated and maintained with minimum effort. Due to its optimised sanitation concept, cleaning time is almost eliminated.

Aspiration System:

The Vertical Huller is equipped with an optimised aspiration system that fulfills two tasks very efficiently: it cools the Grain and there by reduces breakage and supports the conveying of the husk out of the hulling chamber into the exhaust system. Therefore, aspiration air is guided partly through the product and partly around the screens. The aspiration hood, being easy to open or remove, gives full access to the heart of the machine. For best sanitation, no moving parts are involved in the hull removal system.

The ammeter and the vacuum gauge allow the monitoring of the motor current and the negative pressure of the applied exhaust system.



Machine Specifications

Capacity: Kg/h	3500-8000*
Motor kW 45	37-55 (Standard:37kW)
Aspiration m ³ /min	35
Approx. weight in kg	
Unpacked	1300
Railworthy packing	1500
Seaworthy packing	1600
Volume in m³	
Seaworthy packing	4.3



EMERY STONE MILL ESM-1000

The base of the system consists of special emery moulded two stones which lays on each other. The stone underneath is connected to the main axle and is forced with the engine.

The substrate stone is fixed. The product is spread between two stones in the entry and the folding and bran peeling is done. So that the distance between stones can be regulated, special products can be gained. Through the entry with the capacity refining bolts the necessary rates of peeling is possible. The engine strap connections and the revolving stone system are covered and so secure

There are two types of Stone Mills

Vertical Stone Mill

Horizontal Stone Mill

Horizontal Stone Mill

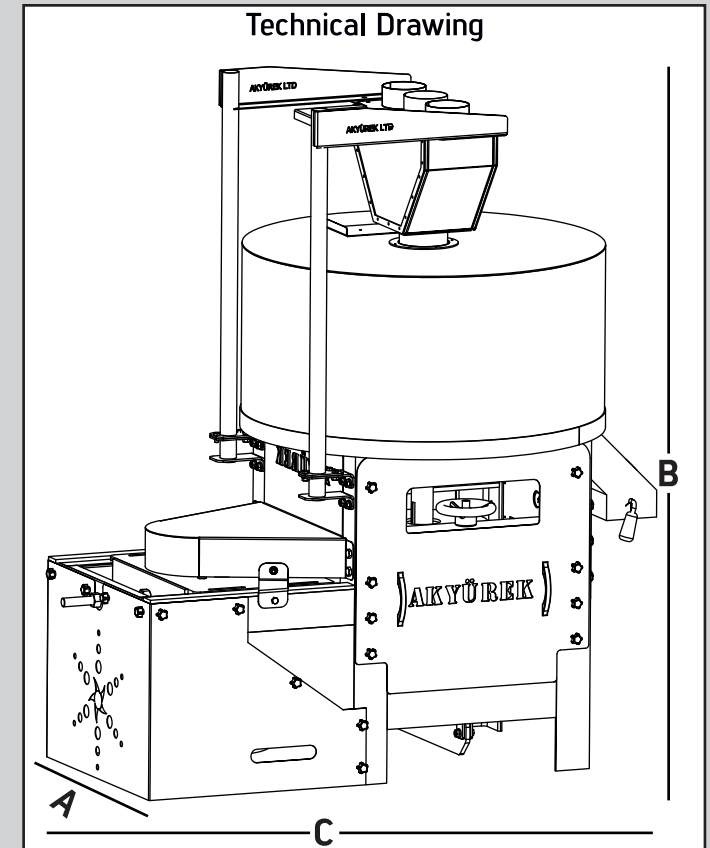
EMERY STONE MILL STANDARD MODEL 600, 700, 800 MM

Our Emery Stone Mill models are available with artificial millstones in the sizes 600, 700 and 800 mm and are suitable for grinding e.g. grains, peas, coffee, spices and other dry products.

Supplied with the famous Akyurek millstones the Emery Stone Mill models guarantee a fine grind and a high output.

Mill Stones

The millstone is the most essential part of a mill. The quality of the millstone is decisive both for the grinding capacity of the mill and the quality of the ground. Today's special design of the Akyurek artificial millstones is a result of practical experience gained during more than 40 years of production. The stones are produced in sizes from 250 mm to 1515 mm, and composed of particularly high quality stone materials, rarely found outside Turkey. There are many imitations, but only one original. Look for the AKYUREK seal of quality, cast in the rear side of the stone. That is your guarantee for the original millstone.



Emery Stone Mills are universal grinding machine which can be used in many applications with right type of Stones.

- Wheat grinding for flour production with 260 to 600 micron output.
- Barley grinding for flour production.
- Peas grinding for flour production.
- Coffee grinding
- Spices grinding
- Wheat Grinding for Bulgur Production.
- Lentil Splitting process
- Yellow Pea Splitting
- Fava Bean Hulling and Splitting

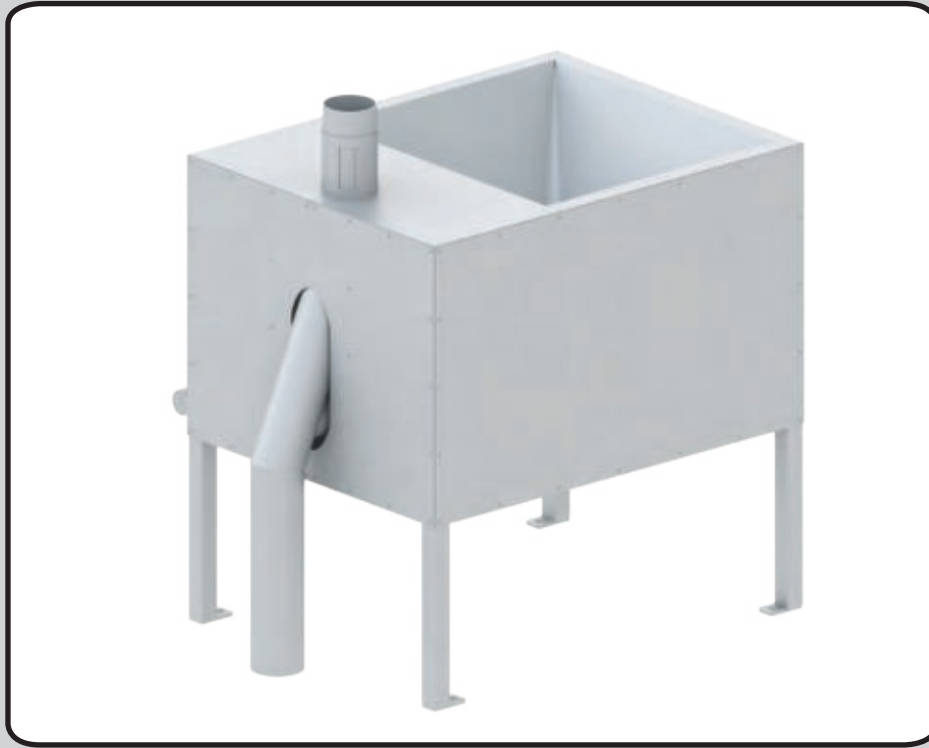
Emery Stone Mill Work Principle

The base of the system consists of special emery molded two stones which lays on each other. The stone underneath is connected to the main axle and is forced with the engine.

The substrate stone is fixed. The product is spread between two stones in the entry and the folding and bran peeling is done. So that the distance between stones can be regulated, special products can be gained. Through the entry with the capacity refining bolts the necessary rates of peeling is possible. The engine strap connections and the revolving stone system are covered and secure.

Technical Data

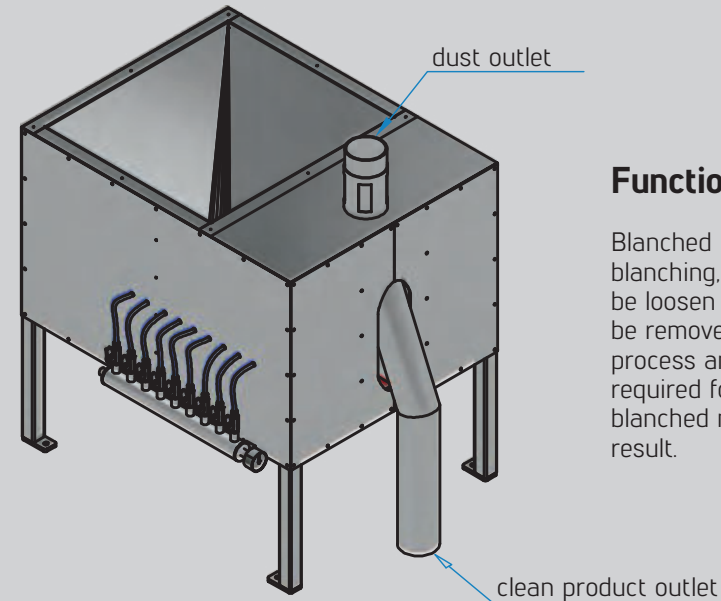
MODEL	DIMENSIONS			MOTOR kW	CAPACITY t/h	WEIGHT	TRANSPORT AREA m ²
	A	B	C				
ESM 700	1020	1790	1340	5.5	~ 1	620	3
ESM 800	1070	1790	1400	7.5	~1.3	705	3/3



NUT BLANCHER FZSM-0-0

When skin removal from nut kernels is required, Akyurek offers an efficient systems to fit the bill. Akyurek Nut Blancher gently remove the skins from nut kernels without creating excess product damage. The Akyurek Nut Blancher is designed to release skins and hearts from splits and whole nut kernels. Split Nut Blanching is normally used in peanut butter manufacturing and making chips/quarters or slices to incorporate in candies and Whole nut Blanching is used for Confectionary Snack Industry

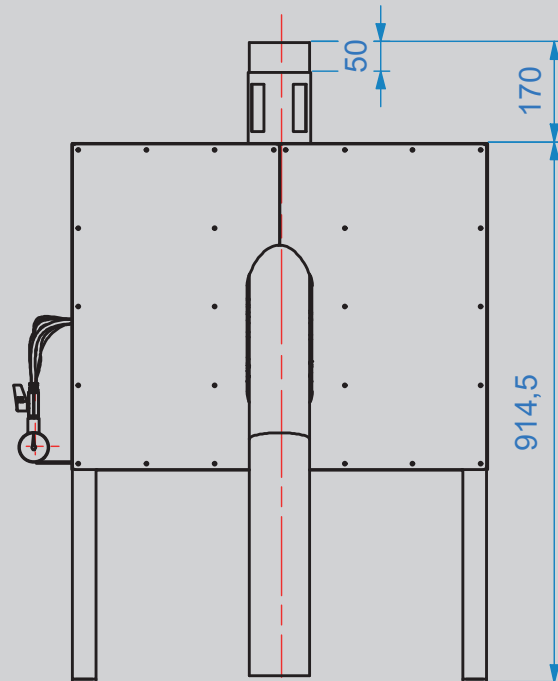
Akyurek Blanchers are designed for ease of operation, maintenance, and sanitation. Reliability and performance are built in.



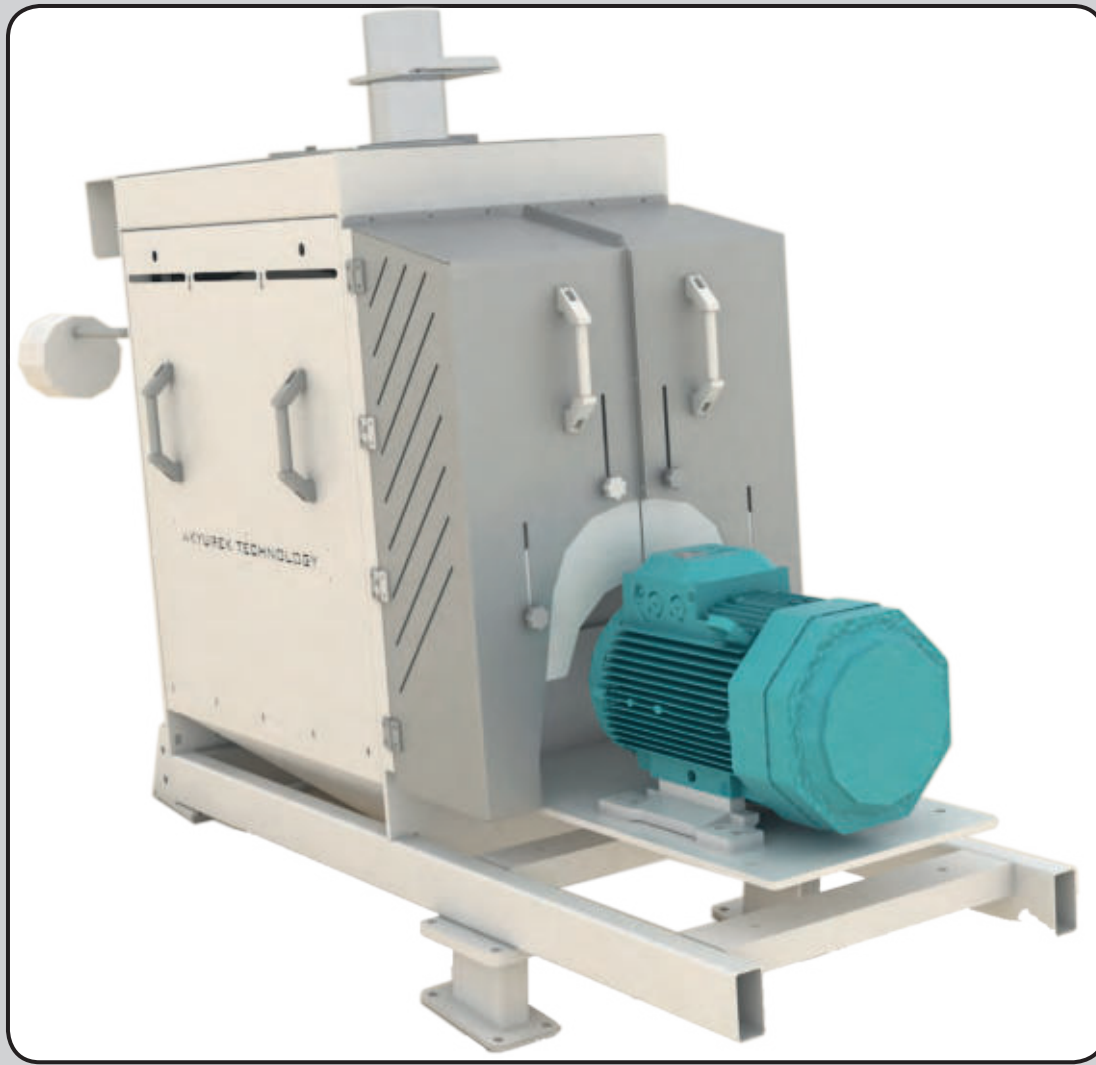
Function

Blanched to be Nut requires half roasting just before blanching, after half roasting skin on Nut Kernel would be loosen and when enters Blancher machine it would be removed with gentlest was to eliminate loss in process and increase yield. A Screen Separator is required for undersize removal. Color Sorting of un blanched nut kernel would be necessary for optimum result.

Technical Drawing



Specification	FZSM-0-0
Machine weight	90 kG
Machine size xyz(mm)	915 x 913 x 703
Amount of compressed requirment	10 Bar - 15 kw
Amount of aspiration requirment	500 m ₃ / h
Peanut	800 to 1000 kg per hour
Hazelnut	800 to 1000 kg per hour.
Operating Condition	Half Roasted
Machine Noise Level	75-85 decibel (maximum)
Construction	Stainless Steel
Cleaning System	Self Cleaning
Standard Voltage	NONE



PULS HULL & SPLIT PHS-340 & 460

Introduction to pulses, lentils and grams Pulses are a rich source of protein which is composed of essential amino acids. In addition, the carbohydrates from pulses are mostly starch and bre which means they have a lower glycemic index than cereals. Effectively pulses deliver better health and nutritional value. Further, pulses also contain essential minerals and can fix nitrogen from atmosphere to soil thereby improving the quality of soil. Because of this nutritional and environmental sustainability, food manufacturers and processors have identified pulses as important ingredients for innovations. Pulses are dened as an annual leguminous crops yielding from 1 to 12 seeds within the pod, harvested for dry seeds. While pulses include dry peas and dry beans, green peas and green beans are not considered as pulses - they are, in fact, vegetables. Lentils or dal or dhal or daal are also type of pulses. Over time unidentified legumes have been identified as Akyurek not only provides machines for cleaning, grinding, grading and optical sorting but also process control equipments for conveying, weighing, packing etc.

NEW STANDARDS IN PULSES PROCESSING

Pulses hulling redefined. Delivering maximum efficiency.

HIGHEST POWER SAVING

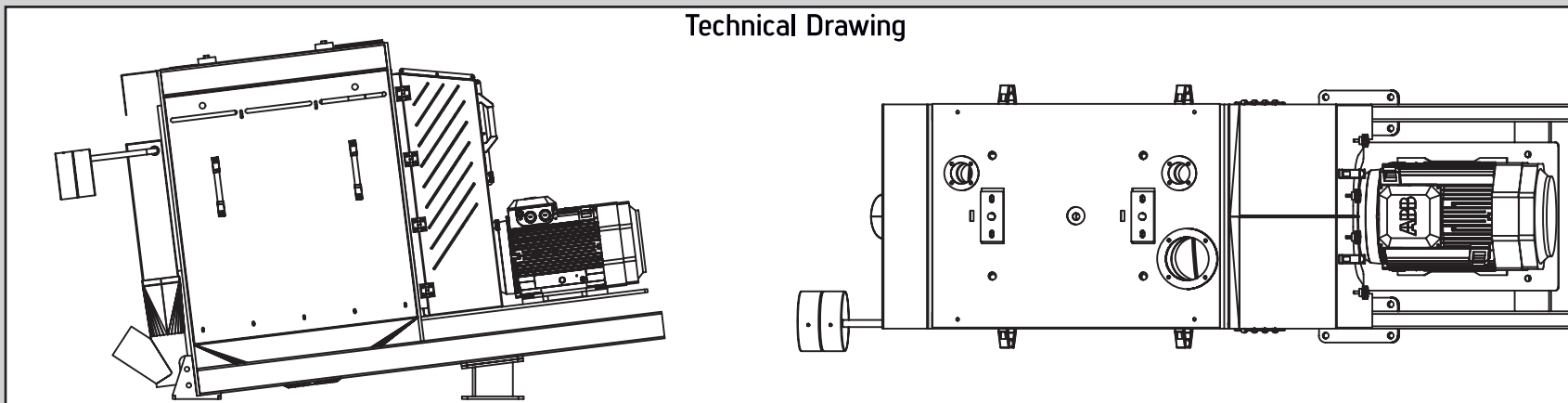
Akyurek has stringent design parameters of dynamical balancing, efficient drives & bearing and adjustable counter weight outlet controller. This leads to reduced power requirement for the process. Profitability is greatly improved due to lower power requirement combined with high throughput.

UNIVERSAL MACHINE

The following options make the machine versatile enough to be used for diereent varieties and grades of pulses.

Technical Data				
Machine Code	Technical Specifications		Volume (m ³)	Weight (kg)
	Capacity	Motor		
PHS-340	2500 Kg	18,5 Kw	2,95	1156
PHS-460	2500 Kg	18,5 Kw	2,95	1600

Technical Drawing





MULTIPLE SEPARATOR

Mode of operation: The first stage of cleaning involves the separation of all particles that are above or below the dimensioning dimensions. The sorting screen removes all impurities such as straw, garbage or stone, etc., which are larger than the grain grain.

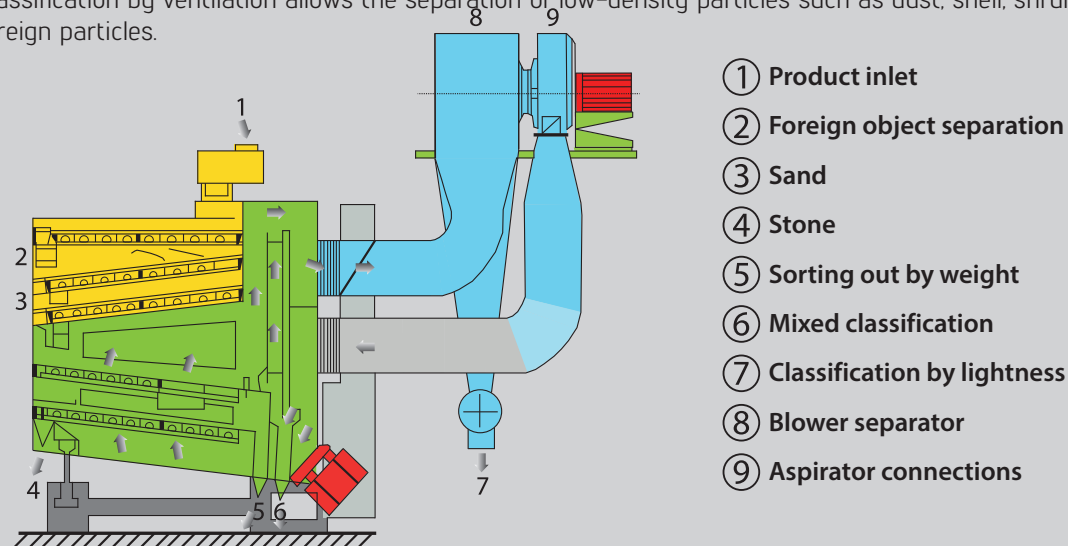
The sand screen removes all debris, such as sand, broken particles and foreign particles, which are smaller than the grain grain.

The next important step is to separate the product by particle weight and divide the mixture into fractions.

Particles of the same size are separated according to their density.

The separation is based on differences in the flow rate of the different fractions of the product: heavy particles come into contact with the oscillating screen bottom and flow to the next stage of disintegration, while the clean grain flows to the product outlet on the air pad.

Classification by ventilation allows the separation of low-density particles such as dust, shell, shrunken particles and foreign particles.



Dimensions (mm)				
Type	Height	Width	Length	Weight
Multi SG-DS-GS	3458 cm	1763 cm	2366 cm	1750 kg

Technical specifications							
Type	Capacity in t/h wheat (approx. values)	Aspiration with/without air-recycling system m3/min	Power requirement Vibrator kW	Approx. weight in kg			Sea transportation m3
				Net	Gross	By sea	
Multi SG-DS-GS	3-12	90	2x0,75	1650	1800	2000	9.0

→ Grain separation

→ Screening Series

→ Combined Particle Cleaner



COMBINED GRAIN CLEANER

The Akyurek combined particle cleaner series equipment is used for high quality cleaning of large volume free-flowing product particles. For example: cereals, oily seeds, fine seeds (grass and vegetable seeds). A high-level cleaning is achieved by the combination of the filtration process and the recessed rollers fitted with the air intake system.

Advantages:

- Delivery of different products thanks to a wide range of settings
- High-level cleaning
- Quick and easy screen replacement
- Two-stage adjustable air volume for different products
- Extremely effective cleaning of screen surfaces by using the screen shakers (upper screen) and brushes (lower screen)
- Two threaded rollers for high sorting performance
- Also suitable for intensive cleaning without geared roller.

Descriptions:

The product is withdrawn from the suction funnel with the pre-suction pipe. Light particles are screened. The chaffs (hulls) and dust are extracted here.

The product is then transported to the screen chamber.

The top screen extracts large and coarse particles.

The top screen is cleaned with a screen shaker.

The small particles are separated by a bottom screen.

The sliding brush cleans the bottom screen.

The screened product is conveyed through the final suction duct. Light particles below 1d density are extracted by air flowing. The cleaned product is transported to the indented rollers where the extraction process is short. For example: broken grains and round seeds are extracted.

The cleaned seed is conveyed to the bagging devices with recessed cylinder and can be bagged there.

Assembly:

The air filters are equipped with an inlet hopper, a final suction duct, storage chambers and a two-tier screen chamber.

The different components of the machine (inlet hopper, screen compartments, fan, etc.) are actuated by a V-belt system with an electric motor

Standard equipment:

- Bolted frame made of painted steel sheet
- Screening sets for sorting program
- Screen shakers (agitators) and sliding brush
- Driven by 3.0 kW Electric motor

Options:

Screens are available for many different products

Technical specifications		CSC 1.1	CSC 2.2
Capacity [wheat based]			
Industrial cleaning	t/h	4	8
Cleaning of seeds	t/h	2.5	5
Operation width	mm	65	130
Screen area	m ²	1,26	2,52
Air Volume 1	m ³ /h	4500	6500
Air Volume 2	m ³ /h	5800	7800
Drive motor	kW	3	6
Speed	rpm	1450	1450
Fan speed 1	rpm	900	900
Fan speed 2	rpm	1100	1100
Screening speed	rpm	35	35

Technical specifications		CSC 1.1	CSC 1.1
Number of screen layers	pcs.	2	2
Upper screen layer	pc.	1	1
Lower screen layer	pc.	1	1
Netto1, Jage of the upper screen layer		Agitators	Agitators
Netto1, Jage of the lower layer of screen		Brushes	Brushes
Dimension:			
Dimension	mm	4717	5060
Length	mm	1337	2100
Width	mm	2100	2200
Total height with connection to tu1. Jau	mm	2473	2780
Air exhaust system			
Pipe diameter for the exhaust system	mm	450	450
Cyclone type		1250/1600	1750



BELT TRESHER BT-400

Features

- Adjustable clearance between belts to regulate threshing aggressiveness
- Air column cleaning system for admixture separation (optional)
- Belt Speed adjustment
- Intake Hopper
- Side or front delivery seed collection chute
- Easy adjustment parameters
- Threshing belt width as per requirement
- Hinged safety cover guards
- Standard size components

Akyurek Belt Tresher applicable to thresh...

Seeds out of larger capacities of capsules, soybeans, sugar beets, edible beans, onion seeds or other similar crops.

Leaves separation from stems in herb processing steps.

Power Type

- 380V 60HZ Electric Motor

Machine Base Type

- Stationary stand
- Stationary stand on wheels

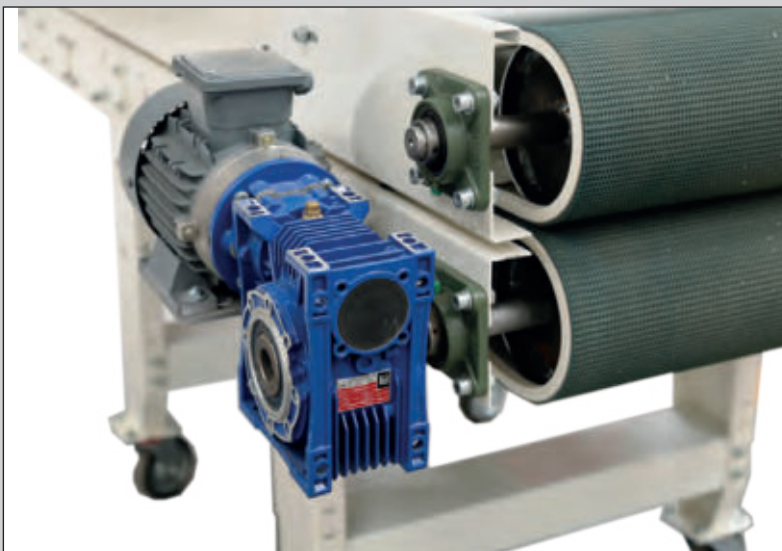
Additional Options

- Aspirator adapter w/ dust cover

Freight Packaging

Threshing Belt Type

- Upper/Lower – smooth
- Upper/Lower – chevron
- Upper/Lower – mini cleat
- Upper smooth/Lower chevron
- Upper chevron/Lower mini cleat
- Upper smooth/Lower mini cleat
- Upper mini cleat/Lower chevron
- And more for specific operation needs





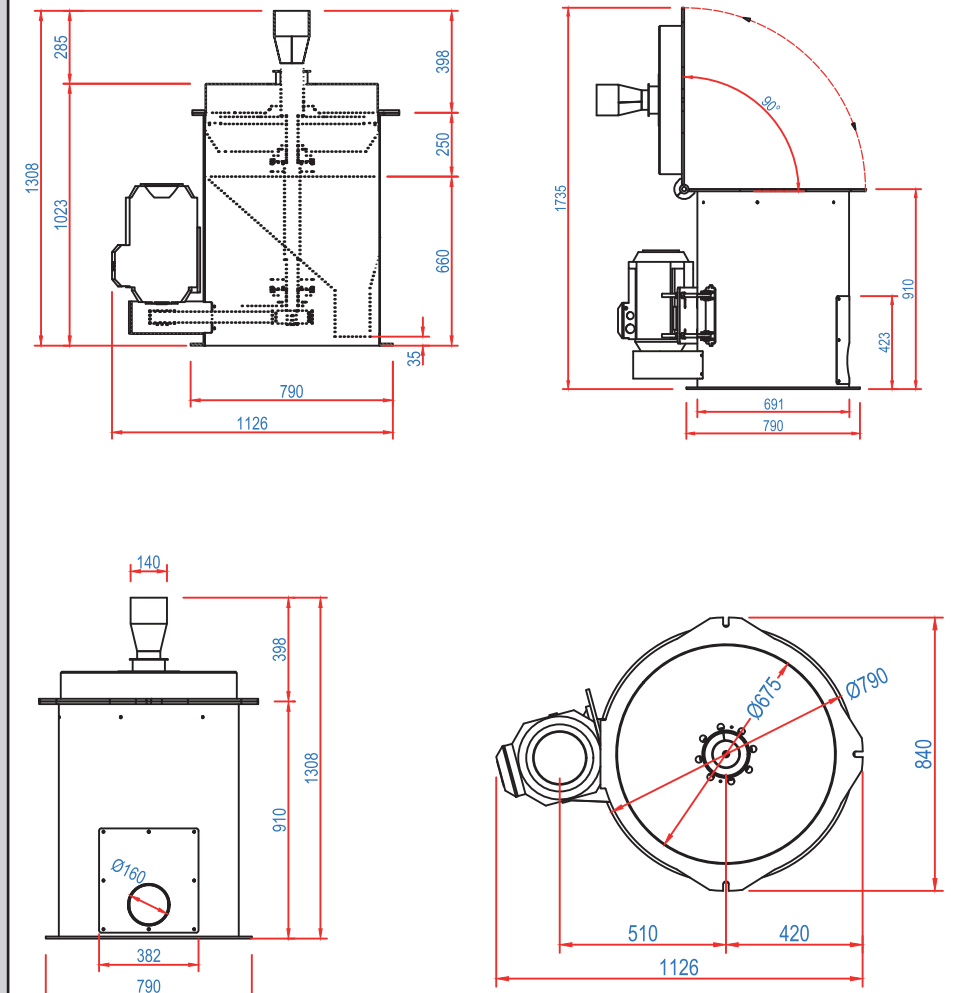
IMPACT DE-HULLER ID-900

Akyurek's Impact Dehuller ID-900 is a precise and efficient dehulling unit applicable for processing oats, spelt wheat, soya, buckwheat, hemp seed, sunflower seeds and may other seeds.

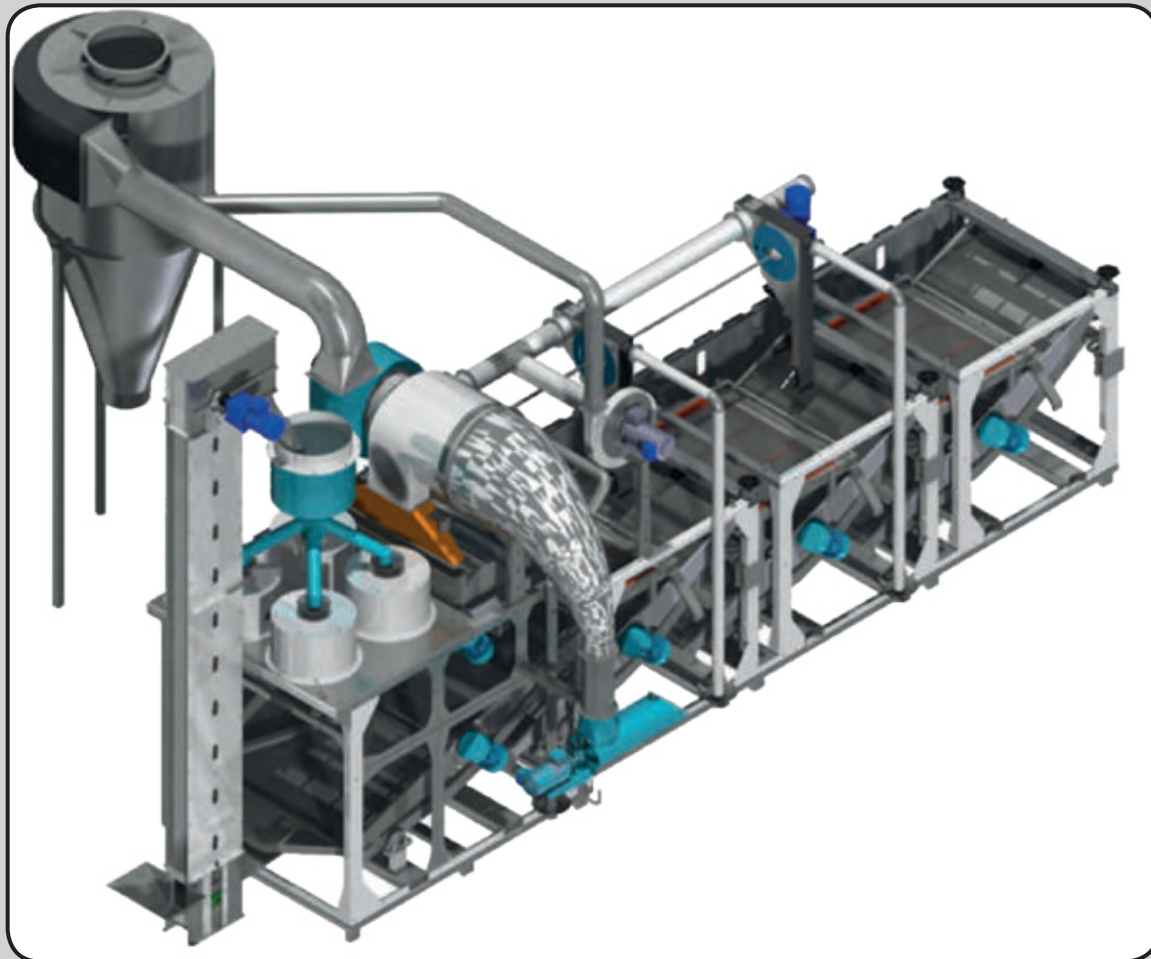
GENERAL FEATURES

Operation: Product is fed into the inlet where it enters the impeller wheel through the feed control pipe. Accurate adjustment of the feed control handle determines the perfection of the hulling operation. The centrifugal force of the rotating impeller wheel drives the product against the hulling ring. The speed of the rotating impeller is adjusted to create the exact force of impact against the hulling ring. Hulling ring distance from rotating impeller wheel is an adjustable parameter for precise setting. Fine-tuning of the speed minimises broken seeds and maximises hulling thoroughness. From the hulling chamber the hulled product and separated hulls discharged at the bottom outlet. An industrial duty machine, long lifetime ensured by Rugged design ensures. Easily replaceable Impeller and hulling ring fabricated from a highly durable steel for wear resistance.

Technical Drawing



CAPACITY	OATS	SPELT WHEAT	SOYA	SUNFLOWERS
	500-1000 Kg/h	500-1000 Kg/h	500-1500 Kg/h	500-1200 Kg/h
TECHNICAL DATA				
IMPELLER MOTOR	4 kW			
LIFT MOTOR	0.12 kW			
ROTOR SPEED RANGE	1000-1500 min			
WEIGHT	515 kg			
ASPIRATION AIR	10 m ³ /min			



IMPACT DE-HULLER 4 MILL WITH SHELL SEPARATOR

Function

Impact Type Dehulling Machine: The impact De huller Feeds Seed onto the centre of a horizontally Rotating impeller fitted with outward directing blade, 4 of them. The seed is accelerated outward along the blades and collides with the static wall where the hull is cracked. The mixture consisting of kernels, husks and unshelled product is discharged through an outlet hopper. The loses hulls, partially dehulled seed and some unshelled seed needs separating from dehulled kernels by means of aspiration. Third stage is to separate hulled kernels and unhulled seeds with 4 Units of inclined vibrating screens one after another. The unshelled seeds will be returned to the dehuller for re-hulling system.

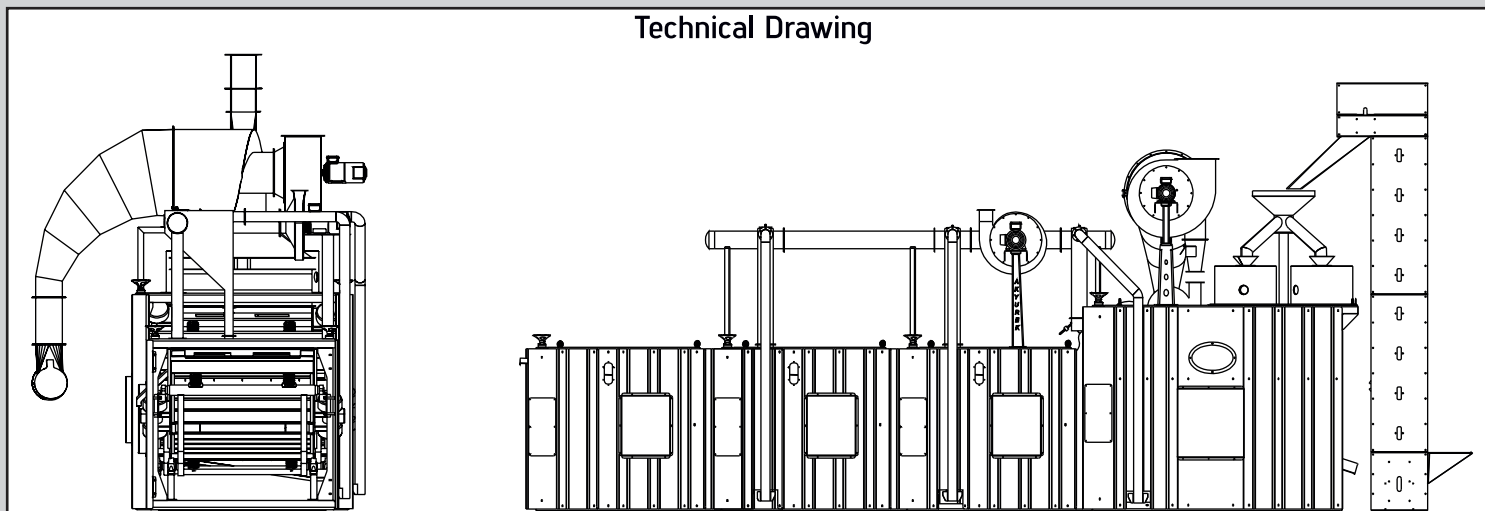
Desing: Easy to maintain machinery, basic skilled operator can carry out preventative maintenance. If plant maintained according to user manuals machinery will last life time.

Capacity Guide Lines

De-hulling output capacity for 3,00>3,8 mm Sunflower Kernel Seeds 300-400 kg/hr output kernel capacity with 98% purity. In put 5-6% Humidity. In put Seeds Screen cleaned and 98% analyzed Graded.

De-hulling output capacity for 3,8> Sunflower Kernel Seeds 400-600 kg/hr output kernel capacity with 98% purity. In put 5-6% Humidity. In put Seeds Screen cleaned and 98% analyzed Graded.

Technical Drawing



TECHNICAL DATA	
Aspirator No.	1
Air Consumption m ³ /h	12,600 m ³ /h
De-Hulling Mills	4
Inclined Vibrating Screens	4
Total Power Requirement	27 kW
Standard Volt	380
Optional Volt	220-440
Weight	11000
Vibration	Vibration

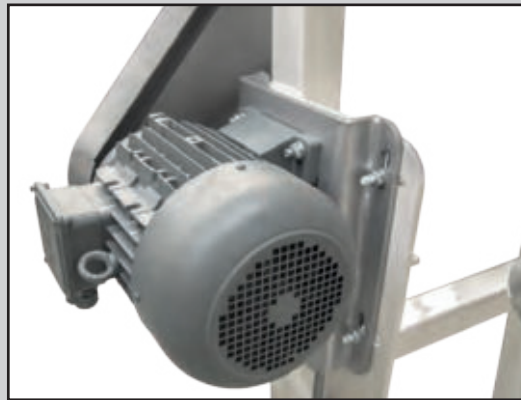


CONTINUOUS FRICTION POLISHER

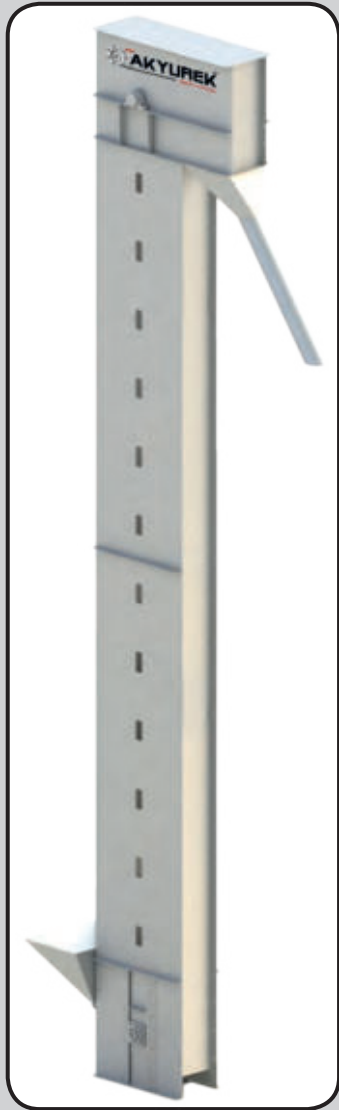
Continuous Friction Polisher is able to provide polished look on seed lot. Process takes place in drum body of the equipment; Drum surface is perforated screen and within drum screw flights made of soft material conveys the seed from entrance inlet to exit outlet . During this conveying process seed friction takes place and fine dust leaves the surface of the seed through perforated drum and exits from bottom chute.

At the entrance inlet Aspiration unit located on machine removes initial dust with suction.

Adding value to your commodity by polished look, increased the visual quality of seed.



CAPACITY	
Egypt	7-8 Tn
Green Mung Beans	5-6 Tn
Beans	6-7 Tn
Sunflower	4-5 Tn



BUCKET ELEVATORS P.ELEV.012

The P- EL and Z-EL elevator is suited for transportation of cereals, seeds, fertilizers, minerals, wood shavings, wood chips, granular products, and similar materials; also suitable for oleaginous seeds.

In standard construction, the EL elevators are delivered with the following features.

Standard height is 4.0 m.

The elevator belt is oil resistant type 4 Ply 6mm Caoutchouc or Plastic with high number of Plys upon on your plant request.

The elevator components are Laser Cut Steel for precise manufacturing.

The elevator construction All Through Nut Bolt and Gasket Connected for easy maintenance or future extension.

The elevator is All Through Paint : Acrylic Antistatic Owen Powder Painted. Paint Code:9100

DISTINGUISHING FEATURES:

- Heavy duty steel construction in Acrylic Antistatic Owen Powder Painted finish incorporating belt rolls of hard-wearing material.
- Totally enclosed design offering maximum security during operation.
- Highly flexible construction to meet a wide range of requirements (height, belt width, belt speed, and belt quality) and to suit individual plant layouts.
- Slow speed monitor and reverse brake available as an option.
- Large selection of elevator buckets to give the best possible transportation of a vast range of products ensuring correct filling and emptying of the product in question.
- Elevator boot with adjustment device for easy belt tensioning ensuring trouble free operation at all times.
- Elevator boot with cleanout door on both sides ensuring easy clean-down when changing from one product to another.
- Extractable collecting drawer below the elevator or integrated air cleaning system available as an option.
- Easy visual check-up during operation through inspection window made of plexiglass.
- Manual Product feed control Gate.
- Elevators with product intake feed apparatus.
- Low maintenance costs and one-year parts warranty.

Every part undergoes following processes: sand blasting, spray application

of primer, phosphate cleaning 180°C oven baked final paint finish. These processes are applied on a continuous production line. The final result provides optimum resistance to corrosion (>250 hours in salt atmosphere) equivalent to pre-galvanised finish, almost to automobile industry standards. Akyurek makes every effort to be environmentally friendly, controlling all emissions during this process.

Technical Data

Model	P.ELEV-0012-10	Model	P.ELEV-0012-15	P.ELEV-0012-20	P.ELEV-0012-25	P.ELEV-0012-30
0-3 Meter	0,3 kW 88 Rpm	0-5 Meter	0,75 kW 88 Rpm	1,1 kW 88 Rpm	1,5 kW 65 Rpm	1,5 kW 65 Rpm
3-5 Meter	0,55 kW 88 Rpm	5-7 Meter	1,1 kW 88 Rpm	1,5 kW 88 Rpm	2,2 kW 65 Rp	2,2 kW 65 Rp
5-8 Meter	0,75 kW 88 Rpm	7-10 Meter	1,5 kW 88 Rpm	2,2 kW 88 Rpm	3 kW 65 Rpm	3 kW 65 Rpm
		10-13 Meter	2,2 kW 88 Rpm	3 kW 88 Rpm	4 kW 65 Rp	4 kW 65 Rp

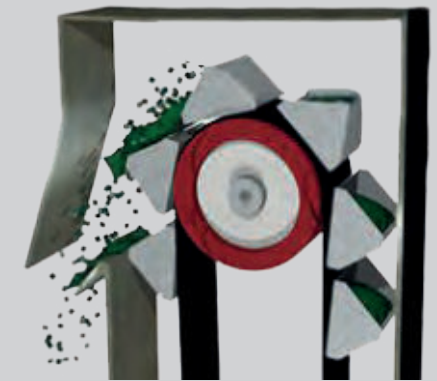
CONTINUOUS BUCKET FEED ELEVATORS

Continuous bucket-feed elevators are designed to handle brittle and delicate materials in order to minimize product deterioration or damage. It is also ideal for handling the heavy or abrasive materials. Continuous bucket feed elevators are also used to handle the light and fluid materials that must be prevented from letting air in.

The material is conveyed to the buckets by means of an inlet chute. Buckets are designed for soft unloading; the buckets are placed at short intervals on the belt or chain to allow the material to flow behind the previous bucket; the long edges close the duct in order to guide the material to the discharge nozzle. Since the direct loading of the material occurs at slow speed in this type of elevator, it prevents the ejection movement of the centrifugal type elevators and is ideal for precise use in brittle materials.

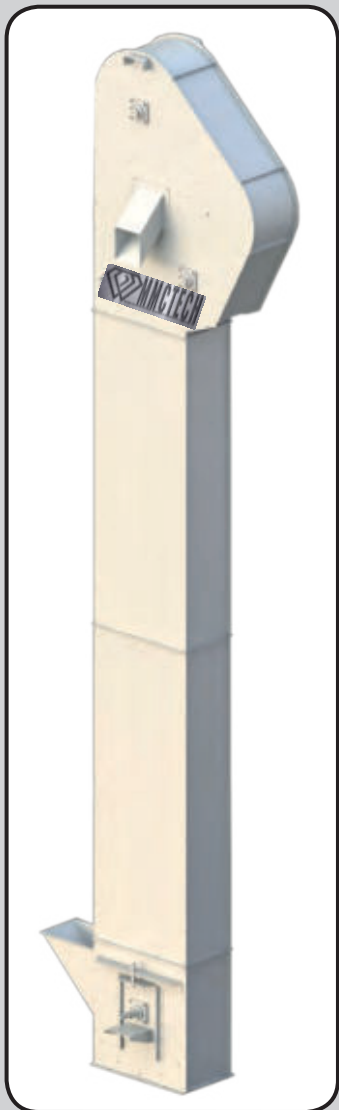


Centrifugal type



Continuous type

Dimensions							
Type	100	125	150	180	200	250	300
A	1164 cm	1164 cm	1164 cm	1164 cm	1164 cm	1164 cm	1164 cm
B	402 cm	402 cm	402 cm	402 cm	402 cm	402 cm	402 cm
C	738 cm	738 cm	738 cm	738 cm	738 cm	738 cm	738 cm
D	1140 cm	1140 cm	1140 cm	1140 cm	1140 cm	1140 cm	1140 cm
E	4771 cm	4771 cm	4771 cm	4771 cm	4771 cm	4771 cm	4771 cm
F	6800 cm	6800 cm	6800 cm	6800 cm	6800 cm	6800 cm	6800 cm
G	885 cm	885 cm	885 cm	885 cm	885 cm	885 cm	885 cm
H	350 cm	350 cm	350 cm	350 cm	350 cm	350 cm	350 cm
I	250 cm	250 cm	250 cm	250 cm	250 cm	250 cm	250 cm
J	788 cm	788 cm	788 cm	788 cm	788 cm	788 cm	788 cm
K	1056 cm	1056 cm	1056 cm	1056 cm	1056 cm	1056 cm	1056 cm
L	200 cm	200 cm	200 cm	200 cm	200 cm	200 cm	200 cm
M	100 cm	100 cm	100 cm	100 cm	100 cm	100 cm	100 cm
N	250 cm	252.5 cm	254.5 cm	256.5 cm	258.5 cm	260.5 cm	262.5 cm
O	400 cm	400 cm	400 cm	400 cm	400 cm	400 cm	400 cm
P	600 cm	600 cm	600 cm	600 cm	600 cm	600 cm	600 cm
Capacity	1 tph	2 tph	3 tph	5 tph	7 tph	10 tph	12,5 tph



EASY DUMP ELEVATOR

Akyurek has designed a new gentle-handling elevator combining its existing conveyors' performance, reliable design and effectiveness. With a high-performance Akyurek continuous to offer businesses with an economical and sturdy piece of equipment.

- Chain & bucket design
- Boot clean doors
- Nuts and Bolted legs
- Seed Contact areas Stainless steel available
- High capacity conveying
- Gear reducer with backstop Shaft-mounted
- Service platforms & ladder available
- Valve options-Manual and pneumatic
- Gentle discharge of seed

Work principle

Seed is transferred into the buckets from intake hopper. The buckets moves up the legs until they are pulled around the first set of gears. The buckets tilted gently and seed dispenses into the discharge hopper. From this hopper the seed feeds through a pipe to your allocated point. The buckets continue in this cycle and provide a continuous, smooth flow of seed with a near zero damage.

Features & Options of Easy Dump Elevator

Laser Cut and Bolted Assembly

To reduce the cost of shipment, the legs of our elevators can be shipped disassembled.

Instant Boot cleaning

A draw which is located right at the bottom of the boot makes an easy operation to open the boot and pull out the remaining seed in the elevator in an instant.

Duck" Series

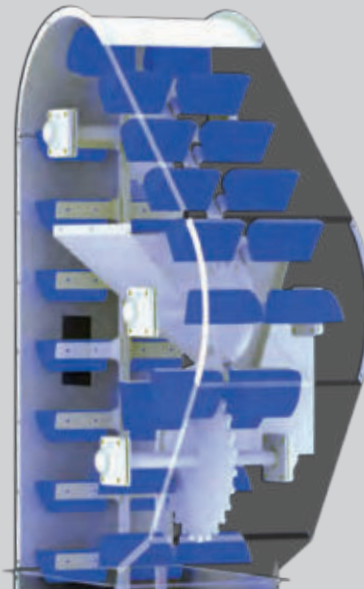
When with height restrictions and flow pipe limitations are challenge the "Duck" Series Easy Dump Elevator can be used. Feeding and discharging on the same side allows you to achieve spouting configurations that are near impossible by regular elevators.

"Double" Series

For lifting two different products in limited spaces the "Double" Series Easy Dump elevator can be used. Without contamination you can elevate two different product types. The "Double" to act as two elevators by two separate product in-takes, bucket lanes and discharge spouts.

Easy Operation

Very simple, straightforward and effective work principles



Model Specifications

Model	Bucket Size	Cubic meter / hour	Capacity tph @ 350 m ³	Capacity tph @ 800 m ³
EDE-S125	125	7,5	3,4	6
EDE-D125	125x2	15	6,8	12
EDE-S150	150	10	4,5	8
EDE-D150	150x	20	9	16
EDE-S180	180	12,5	5,6	10
EDE-D180	180x	25	11,3	20
EDE-S200	200	15	6,8	12
EDE-D200	200x	30	13,5	24
EDE-S250	250	18,75	8,4	15
EDE-D250	250x	37,5	16,9	30
EDE-S300	300	22,5	10,1	18
EDE-D300	300x	45	20,3	36



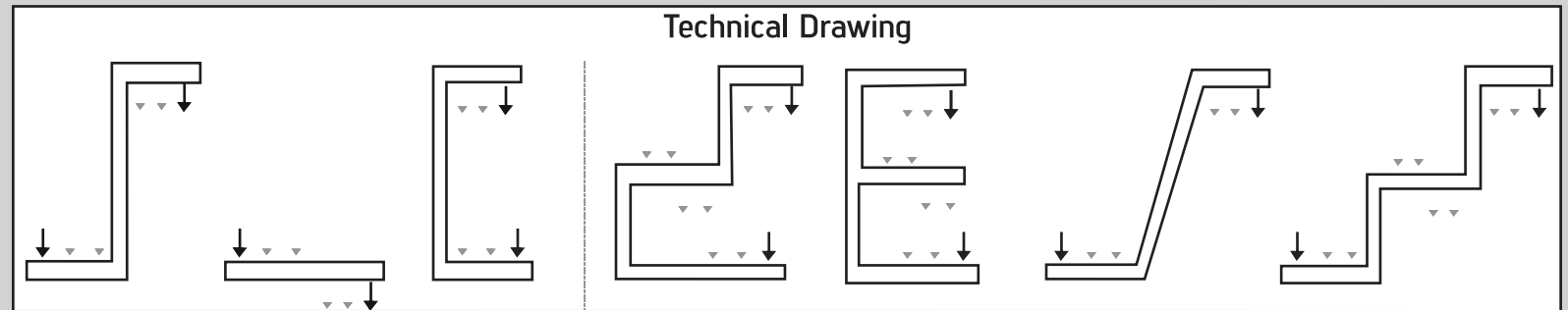
PENDULUM ELEVATOR C.ELEV.012-500

Application and Function

Pendulum bucket elevators are used for very gentle vertical conveying of all kinds of granular product. Especially on the seed sector, they are the most suitable conveyors. They can also manage big horizontal distances, thus being able to replace the combination of belt conveyor and normal bucket elevator.

The incoming product is fed to the pendulum bucket elevator continuously and very gently by means of a vibratory feeder. The edges of the buckets overlap each other in the inlet section and therefore prevent spillage of kernels. Due to the pivoted mounting of buckets in the chain, buckets keep their horizontal position all through the way around in the conveyor until they finally reach the outlet. There, each bucket is tilted and the product falling out is gently led into the outlet hopper.

The pendulum bucket elevator can be equipped with a number of several inlets and outlets. Inlets can work at the same time, while outlets are used singular, meaning only one outlet being active momentarily.



Technical Data	Up to 7,5 Meters	Up to 12 Meters	Up to 20 Meters
Machine Aspirator Motor	2.2 kW 14 RPM	3 kW 14 RPM	4 kW 14 RPM
Machine Color	Acrylic Grey - Acrylic White		
Standard Voltage	Volt	380	
Machine Manufacturing Material	st 44	Ç 1040	





CONTINUOUS CUP Z ELEVATORS P.ELEV.012-DZ350

Akyurek has designed a new gentle-handling elevator combining its existing conveyors' performance, reliable design and effectiveness.

With a high-performance Akyurek continuous to offer businesses with an economical and sturdy piece of equipment.

Hopper with Magnetic Feeders provides even and steady loading rate and with out damaging the product whilst feeding the Continues cup Z Elevators. All Carbon Steel parts are cut with CNC Laser machine, painted with Acrylic Owen Powder Paint and mounted with nut bolt and gasket.

Continuous Cup Z Elevators convey bulk material horizontal-vertical-horizontal from one or multiple feed point(s) to one discharge point. Without the need of

intermediate transfers they deliver smooth and continuous travel from the feed point horizontally and then via elevation to the top horizontal section to the discharge. Continuous Cup Elevators are designed to handle products ranging from Delicate Granule Dry Vegetables (Beans, Coffee, Peanut, ect) and other industrial products (Chemicals, Pharmaceuticals, Highly Abrasive, Sand, Gravel est.) Z elevator is necessary for both vertical and diagonal transportation of all grains, seed and pulse crops. The most important characteristic of the machine is that it doesn't give any harm or damage to the product during transportation and hight/width can be as long as the operation requires. There are both fixed and portable models of the machine

Design

Akyurek Continuous Cup Conveyors are available in the typical vertical 'Z' or Inclined 'Z' configuration, designed to the customers' needs.

Elevator Cups

Akyurek Continuous Cup Elevators are available in several Cup sizes to match your material flow requirements and minimize the space needed for the conveyor. Every Cup Conveyor is designed to match your needs. Made from standardized sections we will match your on site requirements for each conveyor.

Interconnected Cups ensure spill free and gentle operation. They are made of strong injection moulded, reinforced PP nylon, with a heavy wall thickness.

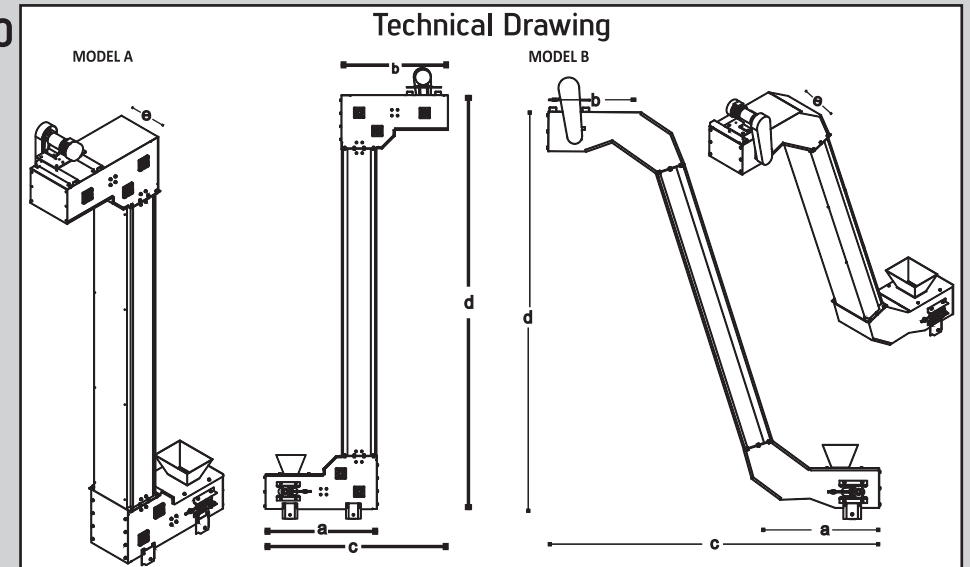
With flexible connecting flaps they form a continuous Cup string without gaps between Cups. Rods are locking the flaps and Cups into place and connect the Cup belt.

Cups can be made from other Plastics such as POM (Polyoxymethylene plastic), Carbon Steel, Aluminium and Stainless Steel, for high temperature applications, conductivity and other reasons.

Elevator Chain

Akyurek Custom Carbon Steel Chains are the driving and transporting members with replicable wear points requiring no lubrication or maintenance. Operation is silent and clean.

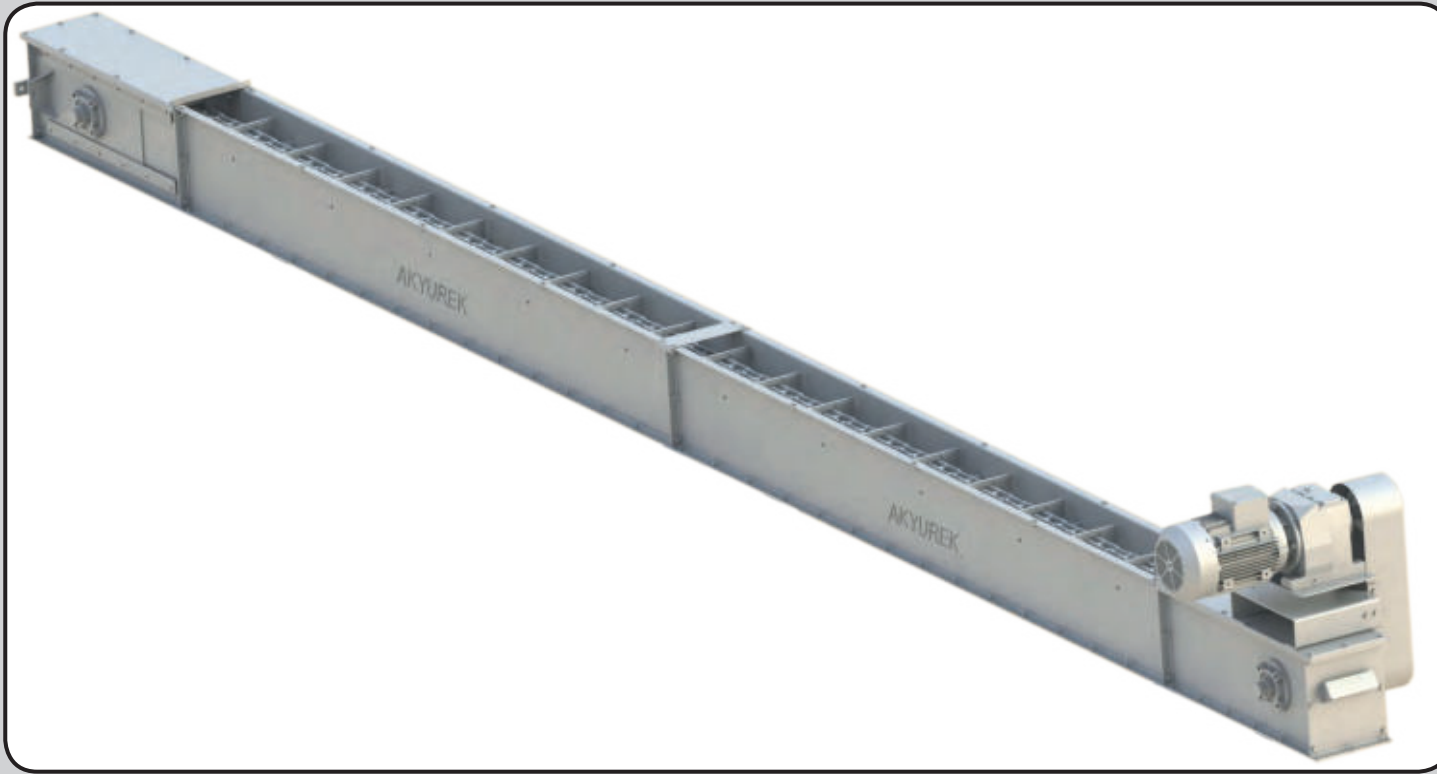
Akyurek Cup Elevators have lower Power requirements, and less need for servicing and maintenance compared to conventional conveying systems.



Technical Data

Model A	Type	a mm	b mm	c mm	d mm	e mm	Bucket Widty	Bucket Capacity
Vertical Z Elevator	350	1160	1110	1900	4400	450	350 mm	0.02 m ³
	600	1160	1110	1900	4400	700	600 mm	0.044 m ³
Model B	Type	a mm	b mm	c mm	d mm	e mm	Bucket Widty	Bucket Capacity
Vertical Z Elevator	350	1175	1180	2800	3410	450	350 mm	0.02 m ³
	600	1175	1180	2800	3410	700	600 mm	0.044 m ³

Model	Length	Machine Motor
P.ELEV-012-DZ350	2-3,5 Meter	0,75 kW 28 Rpm
	3,5-5,5 Meter	1,1 kW 28 Rpm
	5,5-7 Meter	1,5 kW 28 Rpm
	7-12 Meter	2,2 kW 28 Rpm
P.ELEV-012-YZ350	2-3,5 Meter	0,75 kW 28 Rpm
	3,5-5,5 Meter	1,1 kW 28 Rpm
	5,5-7 Meter	1,5 kW 28 Rpm
	7-12 Meter	2,2 kW 28 Rpm
P.ELEV-012-500	3-4,5 Meter	1,1 kW 28 Rpm
	4,5-6,5 Meter	1,5 kW 28 Rpm
	6,5-9 Meter	2,2 kW 28 Rpm
	9-13 Meter	3 kW 28 Rpm



CHAIN CONVEYOR CC-400

Chain conveyor type CC400 is made up of standard elements which, when correctly combined, can easily be fitted into any conveying installation. The Akyurek Technology chain conveyor is made in galvanized material, which makes it particularly suitable for outdoor applications. The CC400 chain conveyor is designed for transportation of grain, granulates, and other bulk goods. A quality roller chain fitted with rubber carriers ensures that all material transport is conducted quietly, safely, and effectively. The chain conveyor works effectively in both a horizontal position and at an upward angle of up to 10° and has low power consumption in relation to its capacity. As regards capacity, the conveyor is designed for transporting materials from a Akyurek chain elevator to storage or to a Akyurek belt conveyor.

Akyurek, Chain Conveyors ensure straight and or inclined transport of the grain gently and economically in required volume.

High – quality chain.

Heat treated chain, chain pins and rollers

Maximum life span of body with plastic paddles on the support chain preventing chain to chain friction.

Economic low periodic maintenance.

Standard construction in galvanized steel, optional painted steel and stainless steel

Laser cut sheets nut and bolt assembly.

User friendly on maintenance and service.

Standard equipment:

- Directly mounted gear motor
- Torque arm for shock absorption
- Outlet hopper 90°
- Rubber carriers
- Extension 2.5 m with inspection cover
- Elevator boot/ tightening section
- Drive station with tensioner
- Inspection cover in elevator boot/ tightening section
- Side inlet

Accessories:

- Motor with v-belt pulley
- Intermediate outlet
- Cover for intermediate outlet
- Outlet hopper for intermediate outlet
- Shutter for drive station/ tightening section
- Cover for geared motor
- Wire suspension
- Speed control monitor

Technical Data	From 25 to 60 tons			From 60 to 120 tons			
	CC 25	CC 40	CC 60	CC 60	CC 80	CC 100	CC 120
Capacity in tons at chain seed 0.5 m/s 0.7 t/m ³ Water content 18%	25	40	60	60	80	100	120
Sheet thickness bottom / side / top	3/2/1.5	3/2/1.5	3/2/1.5	3/3/2	3/3/2	4/3/2	4/3/2
Plastic carriers	+	+	+				
Bottom 10 mm nonslip				+	+	+	+
V-belt drive	+	+					
Worm gear drive	+	+	+				
Gear wheel drive				+	+	+	+
Weight per m empty / ful	24/36	30/61	3/76	52/102		57/119	
Chain 38.4R+		+	+				
Chain 40x6 125 section				+		+	
Inlet / Outlet Q	16	Q	Q24 / Ø250	Q24 / Ø250		Q30 / Ø300	



TELESCOPIC BOOM CONVEYOR BELT TELES.BELT-180

Function:

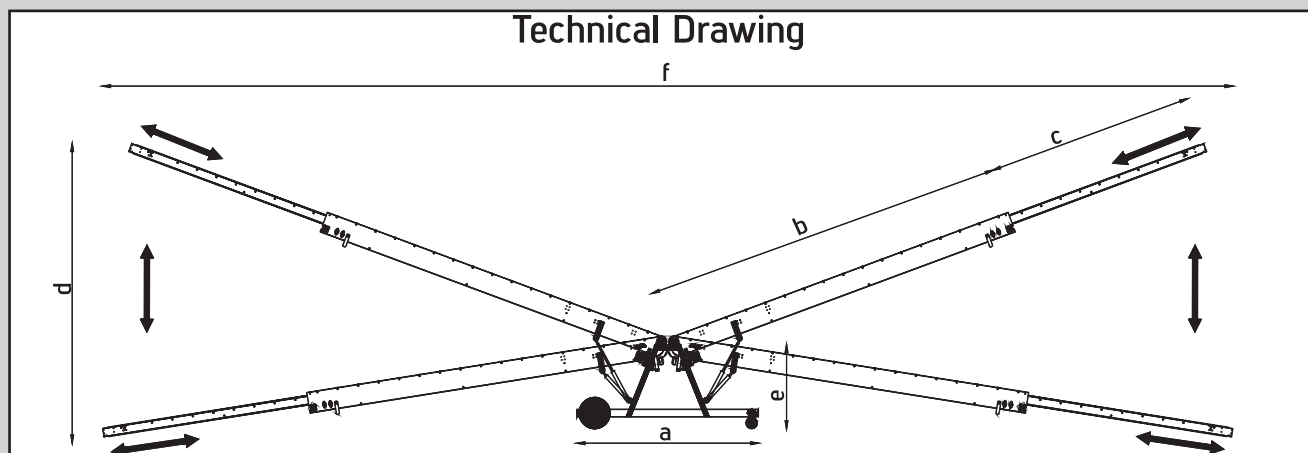
Loading & Unloading of truck, containers, trailers, warehouse storage, packaging areas, bags / cardboard storage etc.

Work Principle:

AKYUREK Precision-Telescopic Belt Conveyors meeting the increased demands of today's warehouse and distribution centers. Akyurek Teleskopic belt conveyor satisfy all criteria provide cost effective and speedy vehicles loading and unloading trucks, trallers, containers and vants etc. Warehouse storage, packaging area, bags cardboard storage etc., Akyurek will provide selection, design and manufacturing of Telescopic Belt Conveyor as per the customer requirement.

The Akyurek Engineering introduces telescopic belt conveyor that will reach right to the end of the vehicle. The machine does not have to move during the loading or unloading process making it ideal for use with a conveyor system.

The telescopic boom and belt drive are controlled via simple to operate push button controls fixed at the end of the telescopic boom. The boom can be extended or retracted to where the operator requires with the remote push button station also.



Technical Data	
Telescoic Boom Belt Dimensions	
a	3500 mm
b	7000 mm
c	4000 mm
d	6500 mm
e	1620 mm
f	22000 mm



BELT CONVEYORS T.BELT-023

Akyurek Belt conveyor type T.BELT-014 is made up of standard elements which, when correctly combined, can easily be fitted into any conveying installation.

The Akyurek Belt Conveyor is manufactured in galvanized steel and or Painted and designed in a light and easy-to-assemble modular system.

Type T.BELT-014 is designed with guide rollers which is quiet and have low power consumption in relation to their capacity.

There is also a possibility for transport at an upward angle of up to 30° using carriers.

The Belt conveyors is well-suited to safe and effective transportation of most materials.

Standard equipment:

- Directly mounted gear motor
- Belt Support rollers
- Returning rollers
- Belt Tensioner
- Profile Constructed Body
- Suitable Belt for requested Task
- Painted Body

Accessories:

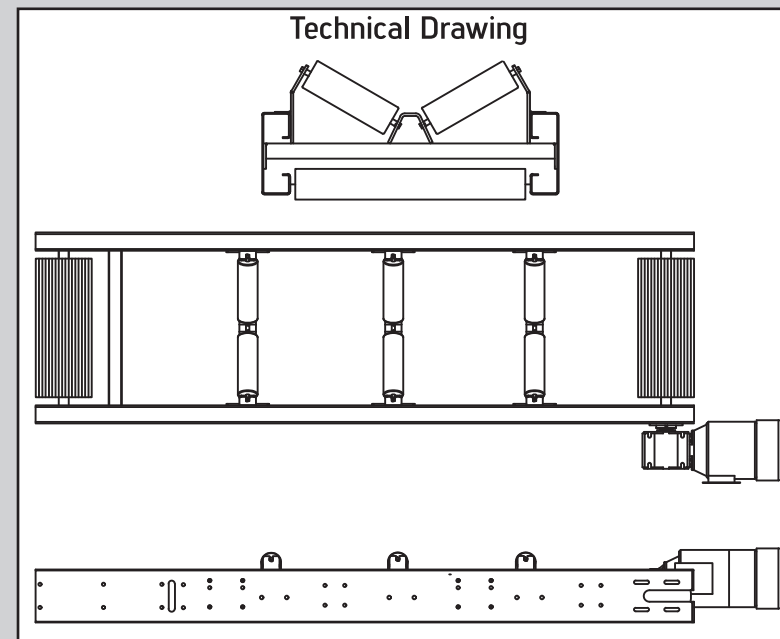
- Inlet hoppers
- Outlet skirts/outlet hoppers
- Cover for top/bottom
- Speed control monitor
- Runners for adjustable support fittings
- Belt guide rollers
- Belt scraper internal
- Belt scraper external
- Side extensions
- Oil resistant belt
- Outlet divider
- Automated Tensioner
- Galvanized Body

MODEL	T.BELT 023-30		
Band Length	0-3 Meter	4-6 Meter	6-10 Meter
Band Width	300 mm		
Engine	0,37 kW 70 RPM	0,55 kW 70 RPM	0,75 kW 70 RPM
Distance Between Rolls (Sheet Body)	530 mm		
Distance Between Rolls (Profile Body)	500 mm		
Capacity [m³/hour]	5 to 10 tph		

MODEL	T.BELT 023-40					
Band Length	0-3 Meter	3,5-6 Meter	6,5-9 Meter	9,5-14 Meter	14,5-25 Meter	25,5-35 Meter
Band Width	400 mm					
Engine	0,55 kW 70 RPM	0,75 kW 70 RPM	1,1 kW 70 RPM	1,5 kW 70 RPM	2,2 kW 70 RPM	3 kW 70 RPM
Distance Between Rolls (Sheet Body)	530 mm					
Distance Between Rolls (Profile Body)	500 mm					
Capacity [m³/hour]	10 to 15 tph					

MODEL	T.BELT 023-50					
Band Length	0-3 Meter	3,5-6 Meter	6,5-9 Meter	9,5-14 Meter	14,5-25 Meter	25,5-35 Meter
Band Width	500 mm					
Engine	0,75 kW 70 RPM	1,1 kW 70 RPM	1,5 kW 70 RPM	2,2 kW 70 RPM	3 kW 70 RPM	4 kW 70 RPM
Distance Between Rolls (Sheet Body)	530 mm					
Distance Between Rolls (Profile Body)	500 mm					
Capacity [m³/hour]	15 to 25 tph					

MODEL	T.BELT 023-60					
Band Length	0-4 Meter	4,5-6 Meter	6,5-8 Meter	8,5-10 Meter	10,5-14 Meter	14,5-24 Meter
Band Width	600 mm					
Engine	1,1 kW 70 RPM	1,5 kW 70 RPM	2,2 kW 70 RPM	3 kW 70 RPM	4 kW 70 RPM	5,5 kW 70 RPM
Distance Between Rolls (Sheet Body)	530 mm					
Distance Between Rolls (Profile Body)	500 mm					
Capacity [m³/hour]	25 to 35 tph					





INCLINED CONVEYOR BELT Y.BELT-0014

Inclined Belt Conveyors application areas are...

- Loading & Unloading Trucks or Trailers/Containers
- Sack Stacking in warehouse
- Bulk Product conveying and Piling
- Sack Conveying to high and Low heights
- Cardboard Conveying to high and Low heights
- Plastic crates Conveying to high and Low heights

An infinite belt which turns on two drums on a roller bed carries product from the lower points to upper point. To prevent product tumbling back on belt conveyor, correct inclination for each type of product is taken in to consideration with right type of Belt. Discharge height of the Inclined Belt Conveyor can be adjusted by manual Jack Lift or Motorized Jack Lift System.

Construction

Sturdy frame made of Mild Steel and Antirust Coated-Antistatic Powder Oven Painted, Maintenance-free ball bearing in Rollers
Extremely Sturdy Belt with Hot Pressed Z splice connection with many layers of ply. 60cm width to any required width available Belt
Transportable with 2 Large Wheels & 2 Small wheels at tail end for Operational maneuvers. On Board Motor Control Panel with Emergency Button.

Optional Items available on request

Stainless steel Body Frame
Galvanized body Frame
Food Grade Belt
Towing hook
Intake Hopper
Side Walls
50 meter Cable and Plug
Generator Installed Onboard.
Variable Speed Controller.

Capacity for Bag/Sack

Belt speed 270 meters/hr / 1 meter a 50kg Sack= 270 units of x 50 kg = 13,500 tn /hr
Belt speed 270 meters/hr / 1,2 meter a 100kg Sack= 225 units of x 100 kg = 22,500 tn /hr

Capacity for Bulk Product

	Belt Width	
	60 cm	80 cm
Wheat	40tph	60tph
Barley	40tph	60tph
Sunflower Seed	20tph	30tph
Sesame	30tph	45tph



Jack Lift : Inclination height adjusted with Manually Controlled Jack Lift.



Over 8 meter long Inclined Belt Conveyors Motorized Jack lift is recommend due to load weight.



Front end equipped with two Large wheels for Mobility as well as Towing.



Tail end equipped with two small wheels for maneuvering.



Belt Tensioner and Spanner provided.



Embedded Motor for protection.



On Board Power Panel

Sturdy Cleated Belt and all other Optional Belts.





SCREW CONVEYORS SE-016

Tubular Screw Conveyor Type BSC is designed for horizontal or slightly ascending transport of grain, fertilizer, flour, powder and granular bulk materials.

Trough Screw Conveyor Type USC is designed for horizontal or slightly ascending transport of grain, fertilizer, flour, powder and granular bulk materials.

All types of augers are designed in standard modules, which can be supplemented by customers' adjusted special parts.

General Features

A-Head Unit,

Complete with drive with bearings (for the conveyors supplied without geared motors or shaft mounted gear-boxes)

Option:

*Sealed bearings or special bearings

B-Drive

By motor and shaft mounted geared motor (depending upon model and RPM.) Drive via pullies and VEE belts (or geared motor with chain and pinions)

Options:

*Different speeds

*Drive type according to requirement

*Shaft mounted geared motors (in line or right angle drives)

*In line geared motors with flexible couplings and guards

*Variable speed drives by inverter

D-Covers flat

Options:

*Pitched covers

*Profiled covers

*Sealed covers

E-Flight

Accurately aligned and welded on the center tube. Bolted to the intermediate bearing shaft

Options:

*Reduced pitch

*Left and flight

*Case hardened

*Ribbon flight

*Flight without bearings

*Close tolerance flight

*Increased thickness of flight

G-Intermediate Bearings

Twin seals and flexible mount allowing for misalignment, fitted at every 3.0 m

Options:

*With plastic inserts

*Bronze bearings

*Split plain bearings

Intermediate Outlets

With slides

Electric

Electro-pneumatic

Manual -by hand wheel -chain operated

Finish

Oven baked paint finish

Options:

*Galvanized finish

*White food quality

*Stainless steel 304L, 316L

C-Trough

Joined by welded flanges, bolted together

Options:

*Increased thickness of trough

*Sealed joints

*Raised sides to the trough

*Open bottoms

F-Tail Unit

Flanged or foot mounted bearings (certain models)

Option:

*Sealed bearings or special bearings

Accessories

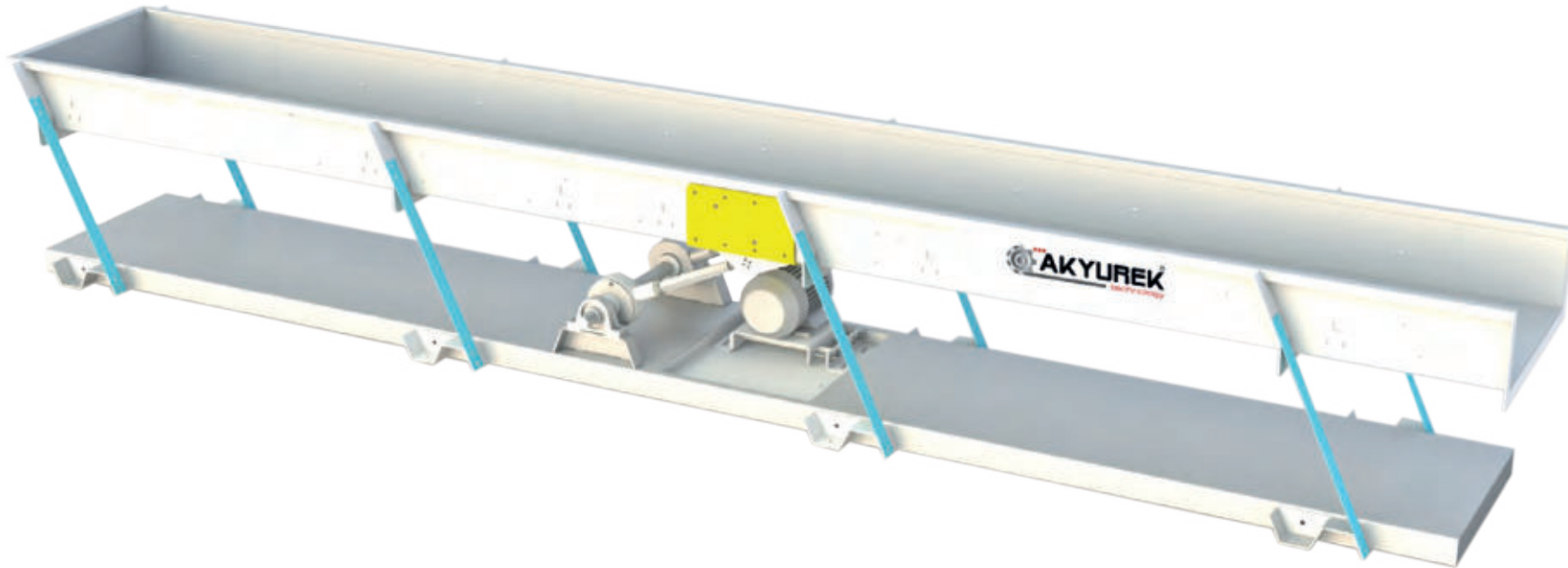
Adaptors, pipe work, mobility

Safety: speed detectors, choke relief flaps with micro switches, temperature sensors.

Technical Data

SE-16	130	210	300	350	400
Throught put (t/h)*	10 t/h	20 t/h	40 t/h	50 t/h	75 t/h
Throught put in m³/h	13 m ³ /h	26 m ³ /h	53 m ³ /h	66 m ³ /h	100 m ³ /h
RPM	210	130	88	77	80
Maximum power (kw)*	2,2	4	11	11	15

(*) Destiny 750 kg/m³ capacity is interdependent to motor. RPM through diameter and prodcuts denstiy.



JOG CONVEYOR JC-100

Akyurek Technology is a leading manufacturer of Grain Conveying equipment. Akyurek Jog Conveyors are designed for horizontal and easy transportation of grain products. Could be connected and operated with the machines of cleaning, treating, sorting ...etc. Jog conveyor provides an output from 10 to 35 tons wheat per hour.

Efficient and gentle conveying via Optimized design.

High capacity conveying achieved by with minimum moving parts equipment. Eccentric shaft has double flywheels and its stroke and frequency are adjusted according to the capacity. Capacity is depending on length of conveyor and product. Multiple inlets and multiple outlets. Totally enclosed with a bolted on cover or with a cover with spring lock.

Screening available (with or without ball tray cleaning)
 Multiple pan flow options.
 Bolted construction available to allow installation into smaller limited spaces.
 Screening available (with or without ball tray cleaning).
 Sanitary design.
 Stainless steel contacts available.
 Counterbalance for minimal vibration.
 Multiple widths and lengths.

Save time with fast and easy cleaning.

Conveyor is self-cleaning and it consists of a base plate which supports the open steel plate.

Technical Data	2 METER	4 METER
Eccentric Motor	1.5 kW 1000 RPM	1.5 kW 1000 RPM
Eccentric RPM	500 RPM	500 RPM
Dimensions		
Width (mm)	680	680
Length (mm)	2230	4230
Height (mm)	650	650
Screening Area (m²)	1 m ²	2 m ²
Sieve Dimension	Optional	Optional
Net Weight (kg)	307 kg	390 kg
Noise Level	50 dB	50 dB



FLOW SCALE RDKTR-017 PLC

Computerized Extraction Rate Scales

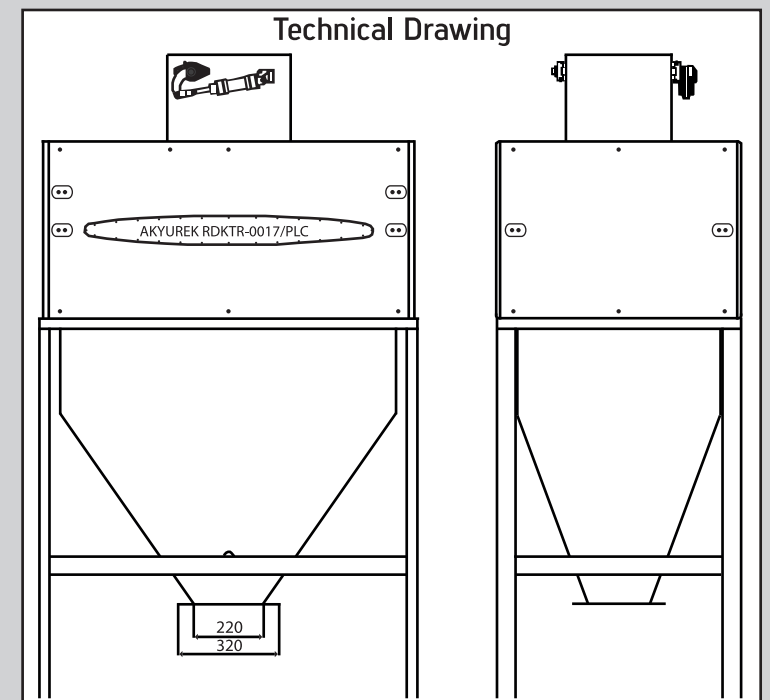
- *Special Extraction Rate Application Programs on original SCADA Program.
- *Required number of intake or extraction rate can be connected to the system.
- *Programmable expected and tolerance values of the extraction rates.
- *Display of the expected and current extraction rates
- *Out of tolerance alarms for extraction rates.
- *Graphical extraction rate reports
- *Monitoring loss of humidity
- *Continuous display and calculation of extraction according to input and output and ability of independent formula application.

Extraction Rate Scales

- *Full PLC inspection.
- *Sensitive and quick weighing with stainless steel loadcells.
- *System panel in IP67 standard
- *Easy calibration.
- *Various feeding system according to true weighing values.
- *Bulk flow measurement in ton / hour.
- *Bulk flow adjustment when it is required.
- *Display of total value that has been weighed.
- *Ability of individually or with network.

Extraction Rate Scales

- *Monitor the extraction up to 5 extraction rate scales.
- *Continuous display and calculation of extraction according to input and output two different totalizers for each scales.
- *Easy conversion to the computerized system.





SEMI-AUTOMATED NET WEIGHER & BAGGING SCALES

Akyurek Semi-Automated Net Weigher & Bagging Scale Machines are used for Pre-bagging weighing and Bagging of 5 to 50 kg bulk product.

Akyurek Semi-Automated Net Weigher & Bagging Scale machines are with electronic and micro-processing control. Feature of getting reports about sacked bags and weighing is available. It can connect to electronic devices such as PLC or computer.

Our machine can be used for all grain seeds, granule products, salt, granule chemicals, residue, provender, cement, construction chemicals, coal and stone.

Operation starts with Operator feeding the sack to sack grip, scale weighs the batch in two stages with gross weighing and net weighing and delivers the good in to sack. This process continuous in series action.

APPLICATION INDUSTRY;

- Food
- Cement / Construction
- Chemistry / Petrochemistry
- Mining

Product type and required capacity determines the...

- Conveyor type
- Pre Storage Hopper size
- Feeding Unit type
- Scale Model
- Bag Grip Model
- Bag Conveyor Belt
- Bag Closing type.

Features;

- Fast and Sensitive weighing
- Programmable number of bag to fill
- Configurable Max and Min Limits
- Warning at Out of tolerance weighing
- Level Check at Top Tank
- Weighing Memory

Single Scale Model



Double Scale Model



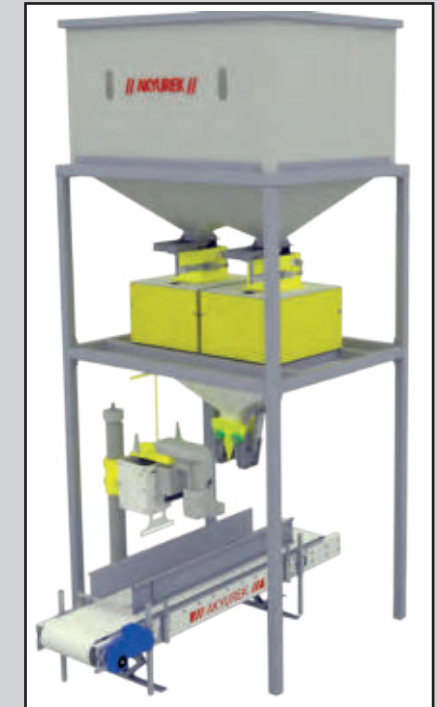
Quadraple Scale Model





Models	Target Weighing (kg)	Bags per Minute	Bags per Hour	Capacity tn/hr	Precision (gr) ±	Required Power	Air Requirement/ Pressure	Command and Control
Single Scale Weigher Bager - TKYOK.017	5	9	540	2.70	5 to 25	220 V 50 Hz AC	500 Lt min 8 Bar	Electronic Microprocessor
	10	9	540	5.40				
	25	8	480	12.00				
	50	6	360	18.00				

Models	Target Weighing (kg)	Bags per Minute	Bags per Hour	Capacity tn/hr	Precision (gr) ±	Required Power	Air Requirement/ Pressure	Command and Control
Double Scale Weigher Bager - CKYOK.017	5	14	840	4.20	5 to 25	220 V 50 Hz AC	700 Lt min 8 Bar	PLC and Touchscreen
	10	14	840	8.40				
	25	12	720	18.00				
	50	9	540	27.00				



Models	Target Weighing (kg)	Bags per Minute	Bags per Hour	Capacity tn/hr	Precision (gr) ±	Required Power	Air Requirement/ Pressure	Command and Control
Qadraple Scale Weigher Bager - DKYOK.017	5	28	1680	8.40	5 to 25	220 V 50 Hz AC	700 Lt min 8 Bar	PLC and Touchscreen
	10	28	1680	16.80				
	25	24	2040	51.00				
	50	16	1080	54.00				



OPEN - MOUTH BAG FEEDING ROBOT OMBR-033

- Biggest possible sack size is 75 cm.
- Biggest possible sack length is 100 cm.
- Possibility of changing the product recipe up to 20.
- Feature of sacking up to 500 pieces.
- Feature of getting reports.
- Feature of entering production amount.
- PLC Control system.
- Colorful touch-screen.
- Air necessity is 6 Bars - 500 liter/minute.
- Sack sizes are 5-10-25-50 kg.
- Optional manual working is available.
- Processing speed is 10-13 pieces/minute.
- Fault tolerance is %0.5
- Reset itself at bag error
- Single Sack Grap Error in 50 to 100 cycle (depending on bag quality)
- 4 kW Electricity Consumption
- Schneider Electric, Servo Automation Controlled





LINEAR - SCALE - FOUR MULTI HEAD SCALE 500 Gr to 5 Kg

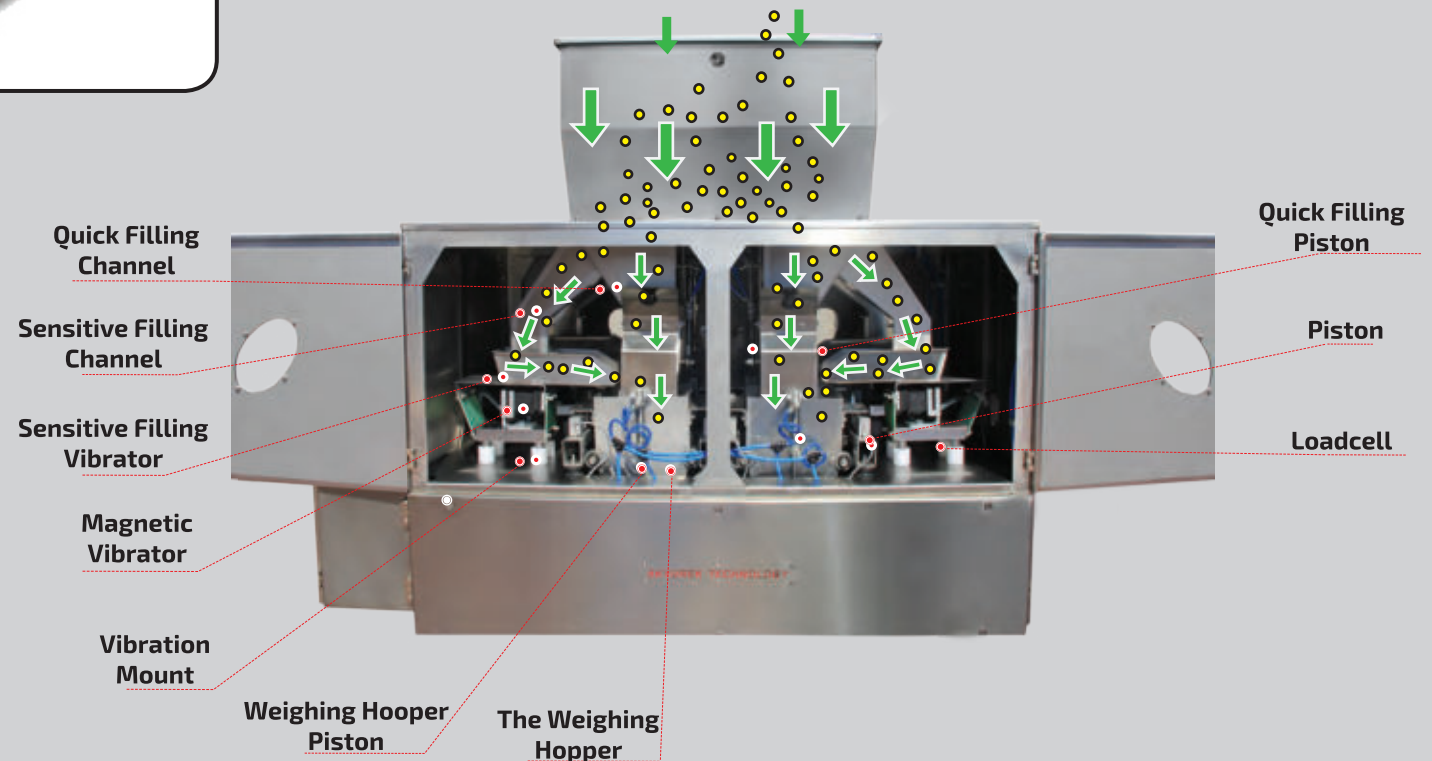
Especially the highest quality Schneider, the top quality materials and control devices have been used in control panel. Because the machine is weighing sensitively by virtue of its mission in order to remove the malfunctions to be derived from the materials all the precautions have been taken and all the regulations have been applied

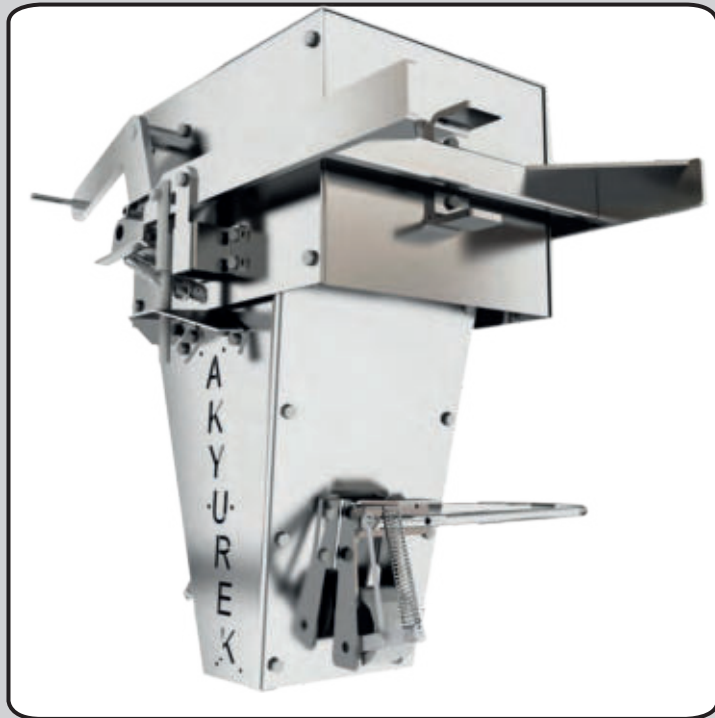
The Usage Areas

Weighing all kinds of nuts, legumes, dried fruits and vegetables, snack foods, grated cheese, detergents, sugar, salt, grains, many non-powdered spices, candies, teas, non-food granular materials, screws, nuts, washers, bolts and so on. products, granular chemical products, seeds, torflar, such as pet food... Shortly it is fast, accurate and indispensable scale for the products which are fall free.

Indicator + PLC = Precision and Rapid Weighing

The system is directly related to 4 pieces indicator load cel. Weight and on-off information are provided by the indicator and thus it controls quick Exchange of information and its sensitivity. Thus, maximum output is obtained from the indicators. With regards to provide to the user convenience, the system supported by PLC and touch panel facilitates the adjustment of the machine easily, keeping in the storage and calibration of the machine in various products. It has different tuning modes. It gives a daily information report about all information such as, faulty weighing, malfunctions, manufacturing information, weighing output and items committed by saving in PLC storage. By taking maximum output that can be obtained from PLC, the facility will be provided for the user





ELECTRONIC SCALE – IN BAG – NET WEIGHER 5 to 50 Kg

Akyurek 'Electronic Scale Bag Net Weigher' Machine is used for Open Mouth Bagging of 5 to 50 kg bulk product and weighing in Bags.

Akyurek 'Electronic Scale Bag Net Weigher' Machine are with electronic and micro-processing control.

Feature of getting reports about sacked bags and weighing is available. It can connect to electronic devices such as PLC or computer. Akyurek 'Electronic Scale Bag Net Weigher' Machine is used for Open Mouth Bagging of 5 to 50 kg bulk product and weighing in Bags.

Akyurek 'Electronic Scale Bag Net Weigher' Machine are with electronic and micro-processing control.

Feature of getting reports about sacked bags and weighing is available. It can connect to electronic devices such as PLC or computer.

Our machine can be used for all grain seeds, granule products, salt, granule chemicals, residue, provender, cement, construction chemicals, coal and stone.

Product type and required capacity determines the

-Conveyor type

-Pre Storage Hopper size

-Feeding Unit type

-Scale Model

-Bag Grip Model

-Bag Closing type

Technical Data				
Sack Weight	Sack Per Minute	Sack Per Hour	Capacity	Accuracy
5 Kg	12	720	± 3,60 Tn	± 25 gr
50 Kg	6	360	± 18,00 Tn	± 25 gr



BIG BAG SCALE – ON & ABOVE GROUND WEIGHING

BIG-BAG filling systems are used in bagging of bulk material in granule and powder form, reducing the bagging, conveying and storing costs in great amounts. In a way they are green systems in environmental manner. Increasing the bag volume from 25-50kg to 500kg or 1-2tons, the production and stocking capacity is increased. Akyurek Big-Bag filling systems are produced in a broad line starting from manual filling, going till automatic filling, dust capturing and re-using units. For very fine powder type of materials, double covered Big- Bag sacks, special production can also be done. Varying of the customer needs, material supply or turn-key projects can be accomplished.

The system can have...

Feeding System- flow control part-helix-vibrator, belt conveyor, and double position Pneumatic Gate etc.,

Bag grip mechanism, bag inflation, dust collection, aspiration, weight measuring unit-indicator, load cell, control panel, main carrying mechanical construction, pneumatic pistons and valves.

The system is designed according to the type of Big-Bag used at operation. In various environments such as PVC, cement, raw mine, borax PP (polypropylene) PTA (pretrephthalic acid), AYPE, YYPE (polyethylene), PS (polyester) etc.

Properties;

- Fast and accurate weighing
- Programming bag number
- Adjustable lower and upper limits
- Automatic and manual operation
- Limit of tolerance alert

Technical Data						
Models	Target Weighing (kg)	Bags per Hour	Precision (gr) ±	Required Power	Air Requirement/ Pressure	Command and Control
Big Bag Scale Above Ground Weighing BBS-AGW-017	500	10 to 15	0.01 %	220 V 50 Hz AC	500 Lt min 8 Bar	Electronic Microprocessor PLC Integrable
	1000	10 to 15				
	1500	10 to 15				
Big Bag Scale Above Ground Weighing BBS-AGW-017	500	10 to 30	0.01 %	220 V 50 Hz AC	500 Lt min 8 Bar	Electronic Microprocessor PLC Integrable
	1000	10 to 30				
	1500	10 to 30				



MECHANIC SCALE IN-BAG GROSS WEIGHER 25 TO 50 KG

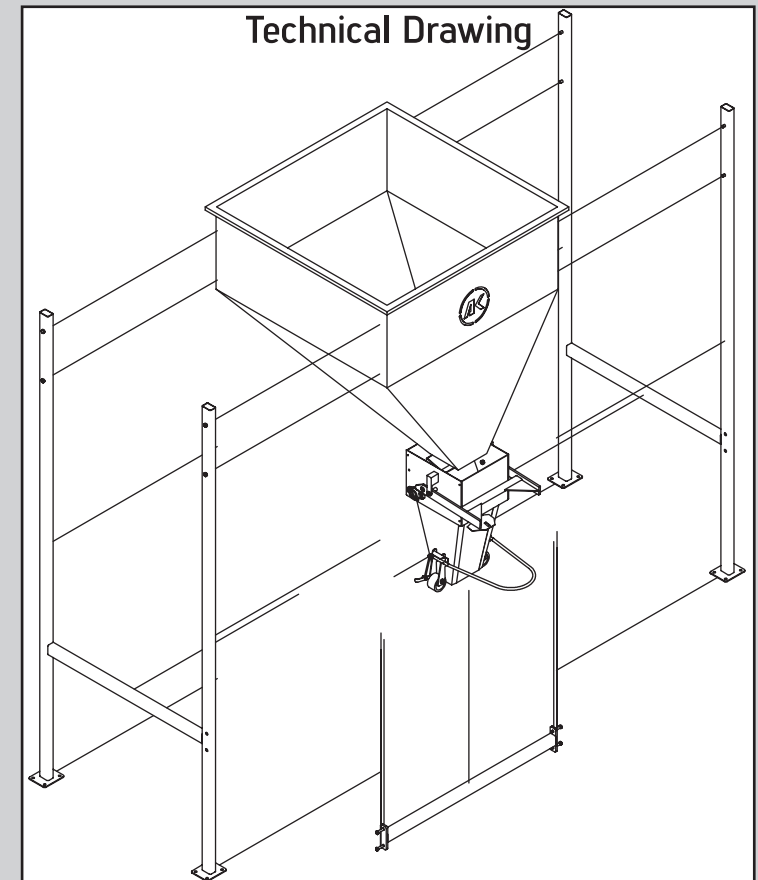
Bagging / Sack Scale Function

Bagging scale used for packing granule crops in 25 and 50 KGS bags. It works completely mechanically. It is Fixed under silo the silo or hopper by bolts. Small, medium or large capacity Hoppers are available.

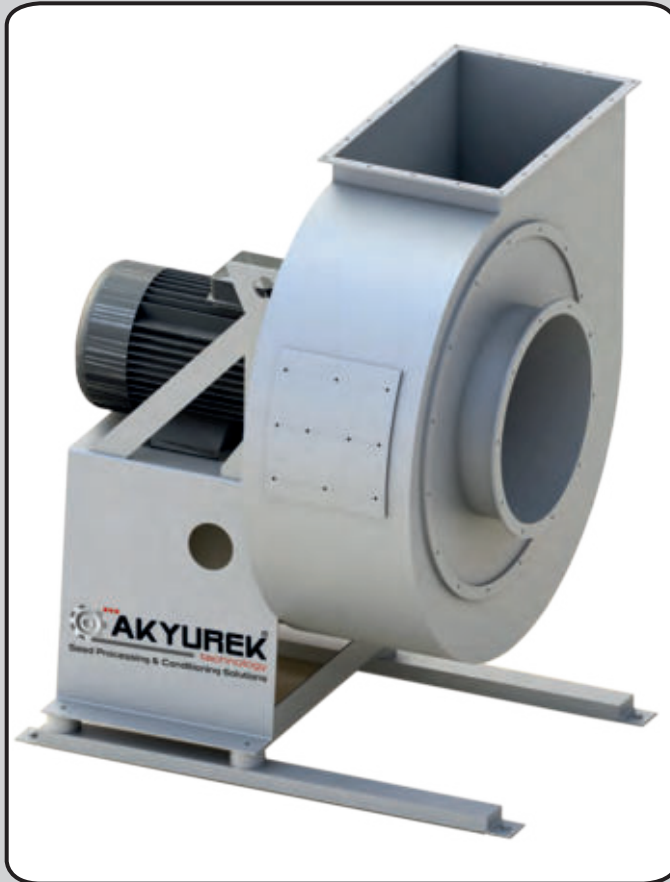
Bagging / Sack Scale Work Principle:

The Sack is fitted tightly to the sack clamps. Operator activates the product flow in to the sack with a lever and product weighing starts. When sack reaches set weight, a pressure on the mechanical system stops the flow of the product. Operator removes the sack from the sack clamp.

- * Obtainable Capacity is interdependent with operator's skills.
 - * Accuracy percentage can change on each different type of product
 - * In order to get a good accuracy, a Digital Platform Scale can be used below the scale where the sack can be released from above on digital platform scale
- Operator can do the necessary adjustment by adding or taking product to or from the sack.



Technical Data				
Sack Weight	Sack Per Minute	Sack Per Hour	Capacity	Accuracy
25 Kg	12	720	±18000 Kg	± 500 gr
50 Kg	6	360	± 9000 Kg	± 500 gr



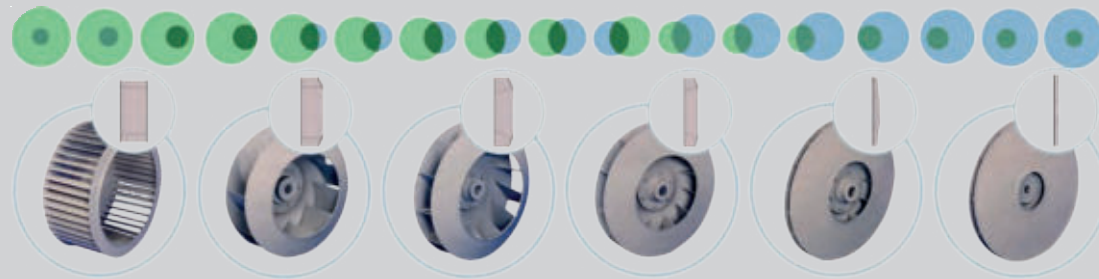
CENTRIFUGAL FAN ACF

The Akyurek centrifugal fan type ACF is a medium pressure fan having backward curved steel blades manufactured in steel plate. The impeller is self-cleaning and dynamically balanced. The spiral housing is made of welded steel plate.

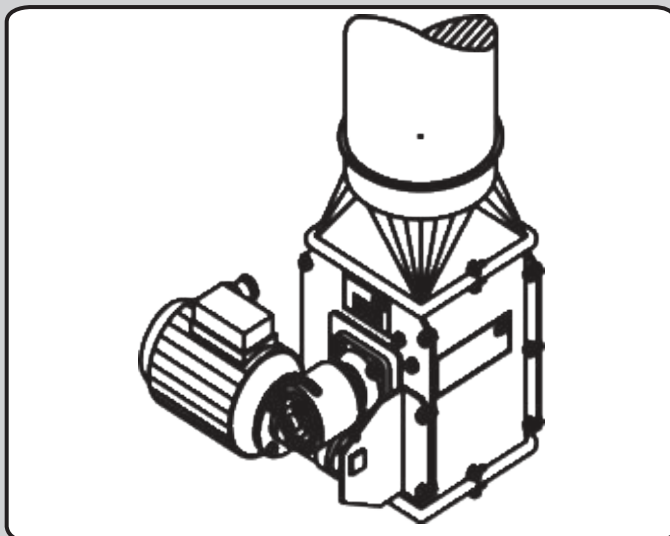
The fans are supplied with a direct coupled 1450 rpm flange motor. The larger models, ACF620, 625 and 630 are supplied with motor frame and built-in Varifan on the suction side.

The ACF fans are as standard equipped with trottle valves and can be supplied with the specially developed VARIFAN (see drawing) which is made of adjustable guide plates placed as a rosette at the intake. It regulates the air volume and reduces the energy consumption with lowered capacity.

Radial fans are designed to transportations with relatively high air resistance as well as a trasportation of the plastic bottles on the production line. Motors are able t run in temp between 15 and +40 Celsius's and humidity up to 95%



Technical Data						
CENTRIFUGAL FAN						
MODEL	Capacity [m³/h]	Noise [dB]	Weight [kg]	Power [kW]	Rotations [rpm]	Application
AKCF - 110	13000	93	239 kg	11 kW	1500	Clean Air, Dusty Air, Powder Materials
AKCF - 150	18000	94	300 kg	15 kW	1500	
AKCF - 185	22000	96	455 kg	18,5 kW	1500	
AKCF - 220	23500	97	460 kg	22 kW	1500	
AKCF - 300	30000	99	650 kg	30 kW	1500	
AKCF - 370	35000	100	840 kg	37 kW	1500	



AIRLOCKVALVE ALV-52

Application

Akyurek's air-lock valve type ALV-52 is used for discharge of dust and other separated particles from systems working with vacuum or pressure. It is dust proof and is used as a pressure block between a cyclone and a dust collecting bag. In connection with Akyurek's dust collecting Centrifugal Fans the air-lock valve is mounted between the bottom outlet of the cyclone and the dust bag, where it ensures a uniform and continuous discharge of dust and other particles, and at the same time minimises the air escaping through the outlet into the dust bag.

Design

The air-lock valve is manufactured from galvanised plate and is complete with a 200 mm (8") steel roller with 6 radial rubber vanes on the shaft. The rotor is carried by ball bearings and its speed does not notmally exceed 40 RPMs. The air-lock valve is lubricated for life and is designed for continuous operation.

TECHNICAL DATA	
Capacity	4 Litres per RPM 10 m³ per hour
Motor Power	0,37 kW (0,5 HK) 1.3 Amp, 400 V
Revolutions	1400/40 RPM/min.
Gear Box	BJ 01/m4-30/85 Ø20
Approx. weight with motor	30 kg
Approx. volume incl. seaworthy packing	0,1 m³
Inlet size (square)	200 mm (8") Q-20



JET FILTERS AKJF

Pressure-shock-resistant filters are used in almost every sector and branch of industry. In light of constantly increasing environmental awareness and more stringent legal regulations, dust removal has become an absolute must in almost all companies. Jet Filters AKJF are particularly suited for use in reception and storage plants for grain and other bulk materials, the biomass industry, the feed industry as well as the food industry.

Effective dust removal and compact design

* More effective dust removal thanks to pre-separation of heavy particles via cyclone inlet.

*The Jet Filter AKJF boasts a low space requirement and low investment costs thanks to the compact design and the high filter surface load.

Effective cleaning of the filter bags

*Time-controlled and/or differential pressure-controlled cleaning of the filter bags results in greater flexibility for setting the cleaning operation.

*Flushing the filter bags ensure subsequent operational reliability.

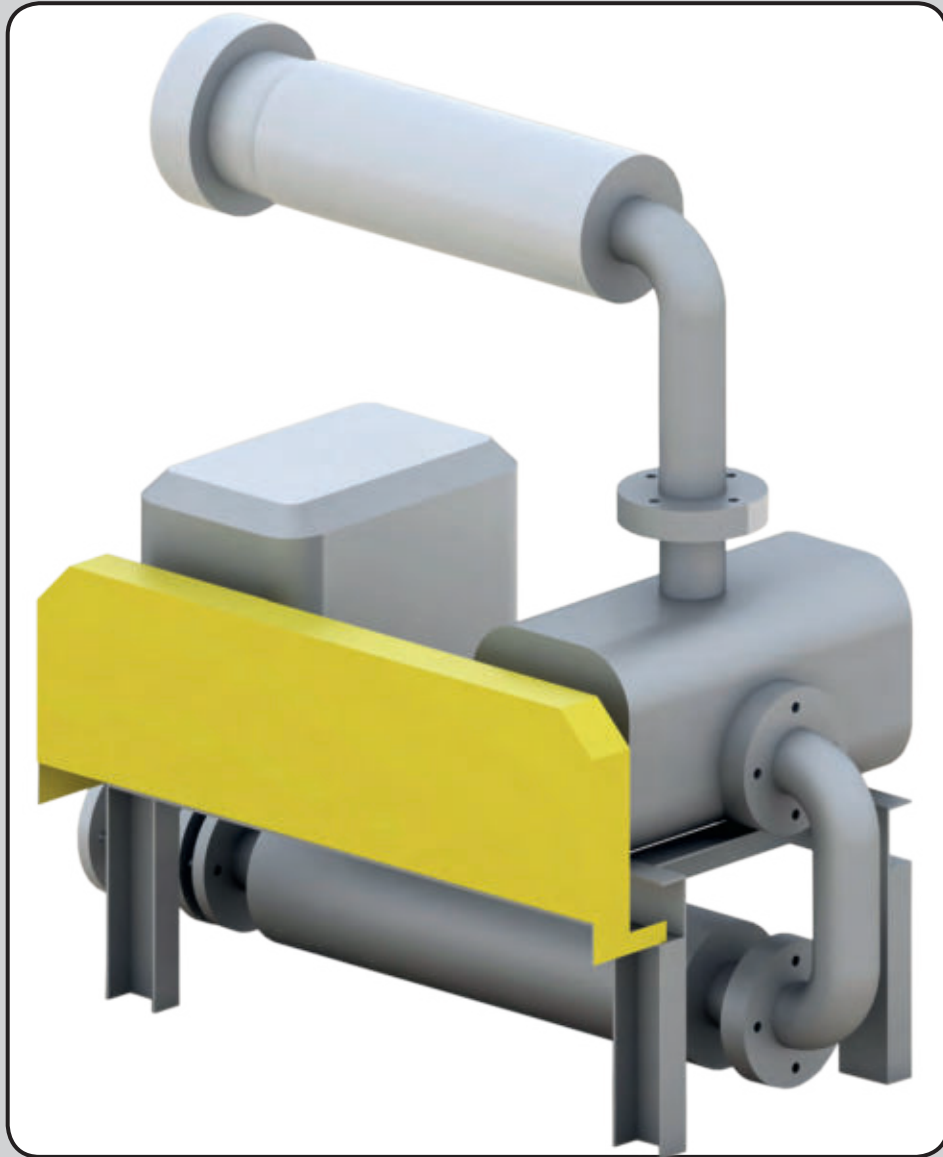
Pressure-shock resistant

*The pressure-shock-resistant design with pressure release means that the Jet filters are also suitable for combustible or explosive dust.

*The Jet filters therefore satisfy even the most stringent safety requirements.

Technical Data

Type-Number of bags	AKJF - 18			AKJF - 26			AKJF - 39			AKJF - 52			AKJF - 78A			KJF - 104		
Filter Area m ³	8	13	16	11	19	23	17	28	35	23	38	46	34	57	70	47	77	95
Hacim Volume m ³	56		6.6	6.4	8	8.7	91	11	21	2	14.6	15.8	21.1	25.1	27	26.6	29.1	31.3



BLOWER GROUP

The new type compact blower package incorporates a blower silencer, air intake filter, derive and safety valve in one single balanced unit in designing it, particular attention was paid to noise control and to the reduction of the maintenance and cleaning requirements.

The unit is designed to receive Robuschi rotary blower. The package is driven by a standart electric motor. The inlet silencer is combined with the filter which can be easily replaced. Blower packages or V-blet driven tensioning and to easily adapt.

The drive to differents sizes of blowers and motors. Three-phase electric motors, according to sec standarts, B3 mounting position and IP 54 protection, are used to drive the blower.

Model	Rpm d/min	100 mbar		200 mbar		300 mbar		400 mbar		500 mbar		600 mbar		700 mbar		800 mbar	
		Flow m³/m.	Power kW	Flow m³/m.	Power kW	Flow m³/m.	Power kW	Flow m³/m.	Power kW	Flow m³/m.	Power kW	Flow m³/m.	Power kW	Flow m³/m.	Power kW	Flow m³/m.	Power kW
A-50	950	0.90	0.30	0.75	0.59	0.64	0.85	0.53	1.11	0.44	1.34	0.38	1.58	0.32	1.81	0.27	2.02
	1100	1.17	0.35	1.03	0.68	0.92	0.99	0.82	1.34	0.73	1.57	0.67	1.84	0.61	2.09	0.56	2.34
	1250	1.38	0.37	1.24	0.77	1.12	1.12	1.02	1.46	0.92	1.78	0.86	2.09	0.80	2.39	0.75	2.55
	1350	1.54	0.43	1.39	0.83	1.28	1.21	1.18	1.58	1.09	1.93	1.02	2.26	0.97	2.56	0.91	2.66
	1450	1.70	0.43	1.56	0.89	1.45	1.30	1.34	1.69	1.26	2.06	1.18	2.42	1.12	2.76	1.08	2.76
	1550	1.86	0.49	1.72	0.95	1.61	1.39	1.50	1.81	1.41	2.21	1.34	2.59	1.28	2.95	1.24	3.08
	1650	2.02	0.52	1.88	1.01	1.77	1.48	1.66	1.93	1.57	2.35	1.51	2.75	1.45	3.14	1.40	3.40
	1750	2.19	0.59	2.04	1.08	1.93	1.57	1.82	2.05	1.73	2.49	1.66	2.92	1.60	3.33	1.56	3.78
	1950	2.51	0.62	2.36	1.23	2.25	1.75	2.14	2.29	2.04	2.77	1.97	3.26	1.91	3.70	1.87	4.37
	2200	2.08	0.69	2.71	1.39	2.54	1.97	2.37	2.58	2.20	3.13	2.03	3.68	1.86	4.17	1.69	4.93
A-55	950	1.50	0.50	1.25	0.98	1.06	1.42	0.89	1.85	0.74	2.24	0.63	2.64	0.53	3.01	0.45	3.37
	1100	1.94	0.58	1.72	1.13	1.53	1.65	1.37	2.24	1.21	2.62	1.11	3.06	1.02	3.49	0.94	3.90
	1250	2.30	0.66	2.07	1.28	1.87	1.86	1.70	2.43	1.54	2.97	1.43	3.48	1.34	3.97	1.25	4.25
	1350	2.56	0.72	2.35	1.38	2.14	2.02	1.97	2.63	1.81	3.21	1.70	3.76	1.61	4.27	1.52	4.43
	1450	2.83	0.70	2.60	1.49	2.41	2.17	2.23	2.82	2.08	3.44	1.97	4.03	1.87	4.60	1.80	4.60
	1550	3.10	0.82	2.80	1.59	2.68	2.32	2.50	3.02	2.35	3.68	2.24	4.31	2.14	4.92	2.07	5.13
	1650	3.37	0.87	3.14	1.69	2.95	2.47	2.77	3.22	2.62	3.92	2.51	4.59	2.41	5.24	2.34	5.66
	1750	3.65	0.93	3.40	1.80	3.21	2.62	3.03	3.42	2.88	4.15	2.77	4.87	2.67	5.55	2.60	6.30
	1950	4.19	1.03	3.94	2.00	3.75	2.92	3.57	3.82	3.40	4.61	3.29	5.43	3.19	6.17	3.12	7.28
	2200	4.80	1.15	4.55	2.31	4.30	3.28	4.05	4.30	3.80	5.21	3.55	6.13	3.30	6.94	3.05	8.21
A-60	950	2.41	0.83	2.23	1.35	2.05	1.96	1.89	2.55	1.74	3.11	1.63	3.64	1.53	4.15	1.43	4.64
	1100	2.97	1.29	2.80	1.57	2.62	2.28	2.47	2.96	2.34	3.61	2.23	4.22	2.12	4.81	2.03	5.38
	1250	3.41	1.50	3.27	1.78	3.08	2.59	2.92	3.36	2.79	4.09	2.67	4.79	2.56	5.46	2.46	6.10
	1350	3.77	1.60	3.61	1.92	3.42	2.80	3.26	3.63	3.13	4.42	3.01	5.17	2.91	5.90	2.80	6.59
	1450	4.13	1.70	3.96	2.06	3.77	3.01	3.62	3.90	3.48	4.75	3.36	5.56	3.26	6.34	3.15	7.08
	1550	4.48	1.80	4.30	2.20	4.11	3.21	3.96	4.17	3.82	5.07	3.70	5.94	3.60	6.77	3.49	7.56
	1650	4.82	1.90	4.65	2.34	4.45	3.42	4.30	4.44	4.16	4.40	4.04	6.32	3.94	7.20	3.84	8.04
	1750	5.17	2.00	5.00	2.49	4.80	3.63	4.65	4.70	4.50	4.73	4.39	6.70	4.29	7.64	4.19	8.54
	1950	5.86	2.20	5.68	2.70	5.48	4.04	5.33	5.25	5.18	6.38	5.07	7.46	4.97	8.50	4.88	9.51
	2200	6.24	1.50	6.04	3.00	5.84	4.30	5.64	5.60	5.44	6.80	5.24	8.00				



MODULAR PIPEWORK SYSTEM

A to Z Turnkey Solution provider Akyurek Technology, manufactures and provides Universal Modular Pipework systems suitable for Grain and Seed Handling. Universal Modular Pipework systems has a wide range of product portfolio.

CONNECTION COMPONENTS

- Pull-rings without sealant
- U-shaped seals
- Pull-rings with sealant
- Earthing bridge

TRANSITION PIECES

- Cone pieces
- Connecting flanges
- Spouts
- Jet caps
- Rain caps

FIXING COMPONENTS & ACCESORIES

- Flanges
- Flanging tools
- Earthing wires / -lugs
- Piper-clamps
- Hoses
- Compensator
- Pipe ball joints
- Plexiglass pipes
- Bagging spouts
- Bag clamps

INSPECTION COMPONENTS

- Inspection-pipes
- Cleaning-pipes
- Inspection T-pieces
- Rubber cover
- Cover locks

REGULATORS

SHUT-OFF VALVES

- Throttle-/ Shut-off valves
- Air flow control gates
- Non-return valves
- Bulk goods slide valves

MULTI-WAY DISTRIBUTORS

- Turn-head distributors
- Twin-pipe turn-head distributors

BRANCH PIECES

- T Connection
- Forks
- Conical Forks
- Symmetrical Forks
- Conical Symmetric Forks

PIPES

- Pipes
- Welding ends
- Push-in pipes
- Ring-seals

SEGMENTS & BENDS

- Segments
- Bends
- Wear protection

TWO-WAY DISTRIBUTORS

- Two-way-valves with collar
- Two-way-valves with seal
- Two-way-distributors

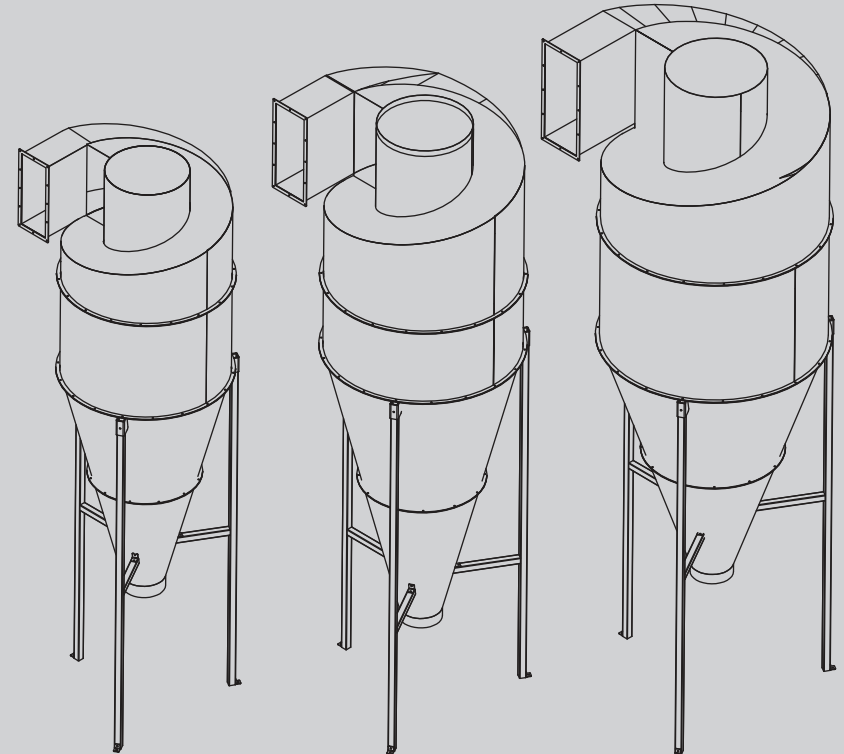


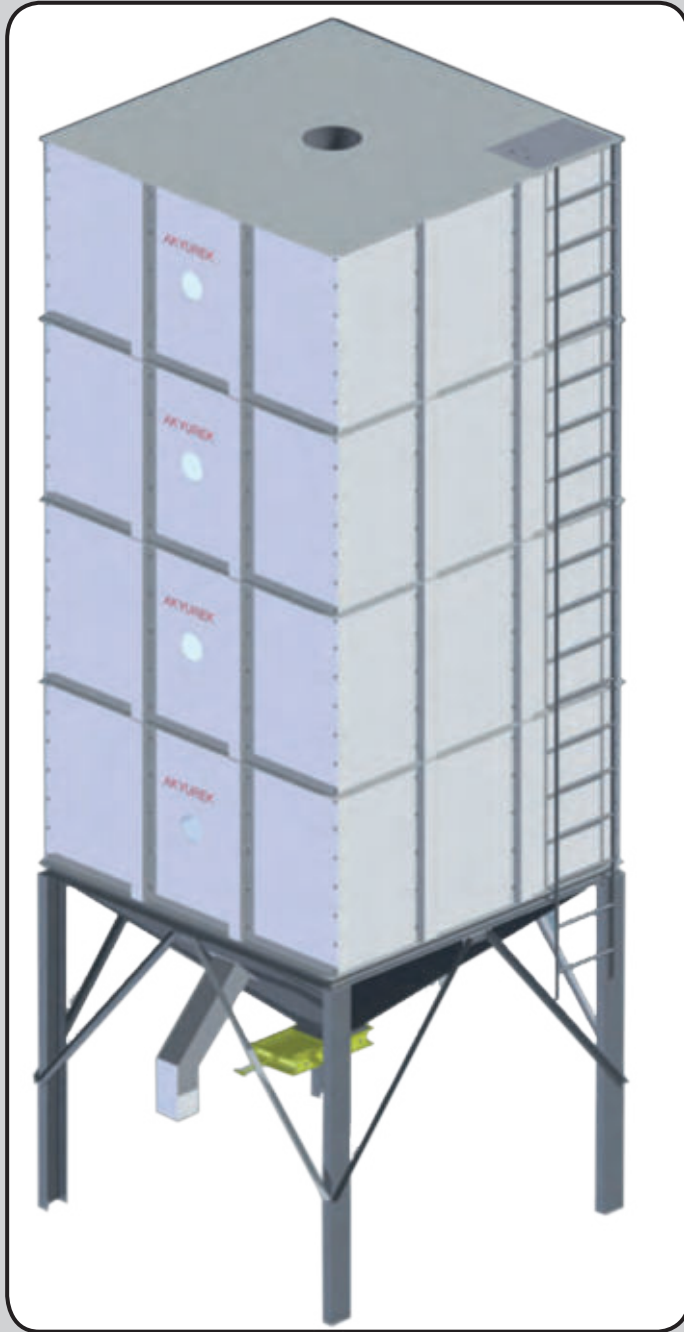


CYCLONE AKYUREK C.MAC-019

Akyurek Cyclonic separation is a method of removing particulates from an air without the use of filters, through vortex separation. Rotational effects and gravity used to separate mixtures of solids from air. Akyurek designs and offers most suitable model of cyclone for your needs. As for all our products stability, Functionality, Durability, Reliability applied to our Cyclones during designing processes.

Cyclone Models Type	Flow m ³ /h	Weight
C.MAC.019-125	7000-8000	240 kg
C.MAC.019-150	12000-14000	345 kg
C.MAC.019-175	18000-20000	510 kg





Leg Stands

If the silo is to be fitted with outlet clearance, it is required that the lower section is elevated to the level of the outlet chute. Legs to fit under the corner-posts are available in various lengths in order to suit the outlet clearance. They are delivered either painted or galvanized.

Second Outlet

Easy discharge of excess roduct from the silo in to i.e a big bag, elevator hopper, conveyor belt.

Lid

Silo lid keeps stored product safe from external contanmination possibilities. Safe and Healthy Storing at maximum.

INDOOR STORAGE SILOS

Indoor Square Silos are designed and manufactured for food processing and or industrial plants product storage purposes. Akyurek Technology designs, manufactures and supplies with helper equipments for Square silos usage purpose i.e product feeding elevators, roduct drop down slower, capacity sensors, mechanical outlet valves, pneumatic valve outlets, capacitive measurement outles, second outlet (for big bag filling i.e) magnetic feeders, cooler and heaters.

Wall Sheets

for the bins are manufactured from suitable material for customer demand hot galvanized steel sheets, Stailless Steel, Owen Coated Painted ST 37 Carbon Steel Sheets which are Laser Cut for maximum rigidity obtained. Accurate prcesses on the production line ensures a tight fit and easy erection. Depending on wall element length and to what total height bins will have to be, different sheet thicknesses have to be selected.

Corner Post

Corner posts are available in 2 designs according to the illustrations. Type 1- where four walls are jointed together with Nut Bolt and Washer Joints Type 2-Square profile steel bars welded where four walls are jointed together. where four walls are jointed together. The posts are available as standard painted or hot dipped galvanized. Apart from standard posts above, there are a number of posts for special purposes, for instance, when hoppers are fitted.

Hooper Vibrator

Hopper Vibrators developed to facilitate flow from bins and hoppers on all types of materials, including large aggregate and sand, fine powders, flakes, pills, bottle caps, jars and just about any material that tends to stick or clog inside a silo.

Sensor

Capacity or level sensors can be designed and supplied as an option with silos. Capacity or level sensors can be designed and supplied as an option with silos.

Inspection Window

Acrylic window allows visual inspection of the level of stored product.

The Rods

By using tie rods, larger bins can be supported. This is done by installing steel pin supports cross to walls. They are delivered in corresponding lengths to the walls sheets.

Nut, Bolt & Washer

Bolts, washer and Nuts are used for assembling the wall parto join corner posts and wall sheets, flanged bolts M8 and nuts galvanized, are used No washers are necessary because of the flanged nuts. This gives easier erection.

Loadcells

Weighing of stored goods in silo and using this data.

Outlet Valves

Silos are supplied with manual operated outlet valves in its standard for product/seed discharge control system. As an option manual operated ball bearing equip outlet valves or auto controlled pneumatic outlet valves are available upon request.

Technical Data

MODEL	1500 x 1500		2000 x 2000		2300 x 2300		3000 x 3000	
	MIDDLE DISCHARGE	FRONT DISCHARGE	MIDDLE DISCHARGE	FRONT DISCHARGE	MIDDLE DISCHARGE	FRONT DISCHARGE	MIDDLE DISCHARGE	FRONT DISCHARGE
1. FLOOR (Kg)	500	530	720	810	960	1030	1220	1380
1,5. FLOOR (Kg)	610	640	920	1010	1200	1270	1630	1780
2. FLOOR (Kg)	670	700	1000	1090	1290	1360	1760	1910
2,5. FLOOR (Kg)	780	800	1200	1300	1530	1610	2170	2320
3. FLOOR (Kg)	830	860	1290	1380	1620	1690	2310	2460
3,5. FLOOR (Kg)	940	970	1490	1580	1860	1930	2720	2860
4. FLOOR (Kg)	1000	1020	1570	1660	1950	2020	2850	2990
4,5. FLOOR (Kg)	1100	1130	1770	1860	2190	2260	3250	3400
5. FLOOR (Kg)	1160	1190	1850	1940	2290	2350	3380	3530
OVER THE CONE (m)	1,7	2	1,8	2,3	1,87	2,5	2	3

DIMENSIONS	1500 x 1500	2000 x 2000	2300 x 2300	3000 x 3000
A (mm)	1500	2000	2000	3000
B (mm)	1500	2000	2000	3000



PLANT AUTOMATION

The highest capacity of Akyurek Technology equipment is achieved by automation. As a result of many years of experience we can advise the best automation level for controlling the processes. In this respect, Akyurek Technology obvious strength is that we have gathered our knowledge of processes, systems and automation into one organization and, by choosing Akyurek Technology as an automation partner, our customers get a properly dimensioned system based on modern technology and optimized functionality. The advantages of being a turnkey partner include design and execution, as well as subsequent servicing when the need arises.

Turnkey partner

Akyurek Technology turnkey contracts include PLC and SCADA for process control and electrical panel installations for machinery and building facilities alike. Our electrical engineers not only have expertise in the complete design and execution of electrical facilities and process control, but also in designing systems and equipping machinery.

Panel installations

Akyurek designs and supplies all types of electrical panel installations for complete systems: distribution panels, power-factor correction panels, circuit-breaker panels and PLC panels.

Process control

A plant's machinery and equipment are controlled by PLC systems adapted to the size and organization of the system. A SCADA system is used for operating and monitoring the plant. A SCADA system makes it possible to program special functions for operating, monitoring and alerting, but also makes it possible to store and present empirical data.

Management Information System

It is currently common for modern production plants in the grain, seed and feed industry to use computer-based controls for managing input, output and flow, e.g. automated storage and production controls, capacity optimization, quality assurance, logging energy use, etc. Akyurek is also at the cutting edge in this area by providing computer systems that – in conjunction with weighing machines and SCADA systems – can log, store and process data concerning material transactions to and from storage facilities, as well as additions and partitioning during the production process.

Service

Serving customers is an important aspect of Akyurek Technology image, not least in the area of process control. Process control provides the first indication of error at a plant and, in the vast majority of instances, this can be used for localizing the error, an area in which Akyurek Technology service staff are widely experienced. We place this experience at the immediate disposal of our customers, as all our SCADA systems are Internet linked and we can be online within a few minutes regardless of where in the world a System is located.

→ Mobile Seed Processing Equipment



MOBILE SEED PROCESSING EQUIPMENT

Akyurek seed processing and packaging technology offers a range of mobile seed processing systems for the purification and chemical treatment of grain seeds, for planting according to the specific requirements of each customer.

The capacities of mobile seed processing equipment can vary from 1 to 10 tonnes / hour depending on the customer's requirements and can be customized for higher capacities on request.

Mobile equipment for seed production:

- Project design, paperwork and installation costs are minimized,
- Minimizes equipment installation time,
- The process line is prepared for a complete manufacturing operation,
- Shipping costs are significantly reduced:
- Excellent solution for installation at customer's premises.

Function

Mobile seed processing application is designed for chemical treatment for up to 99% purification of grain seeds and complete safe storage. Seed treatment machines are mounted on trailers so that the farmers and businesses can use this service at their own workplaces.

MOBILE SEED PROCESSING EQUIPMENT				
COMPACT MODEL SERIE F-310				
COMPACT Models	F-311	F-312	F-313	F-314
Capacity – Input	3 tph	5 tph	7 tph	10 tph
Conveyor	BE-120	BE-150	BE-150	BE-200
De-awner tool	AWN-052	AWN-053	AWN-053	AWN-054
Conveyor	BE-120	BE-120	BE-150	BE-200
Fine Screen Series	EXCELL 52	EXCELL 53	EXCELL 103	EXCELL 103
Conveyor	BE-120	BE-120	BE-150	BE-200
Rotary Sorter	MT 404/2	MT 404/4	MT 404/6	MT 404/8
Seed processing	BE-120	BE-150	BE-150	BE-200
Seed Processor	STL 005	STL 010	STL 015	STL 015
Conveyor	BE-120	BE-150	BE-150	BE-200
Weighing and Bagging Scales	CKTR-017	CKTR-017	CKTR-017	CKTR-017
Aspiration	✓	✓	✓	✓
Power Panel	✓	✓	✓	✓
Trailer	✓	✓	✓	✓
Generator	✓	✓	✓	✓

→ Mobile Seed Processing Equipment

1- Feed conveyor: Screw conveyor for inlet-seed feeding system (alternatively can be replaced with bucket elevator or belt conveyor).

2- De-awner Tool; Cleaning the barley chaffs/shells

3- EScreen Cleaning: Separation of oversize and undersize mixtures and impurities through the perforated screens, as well as by air blowing the mixture and light materials.

7- Bucket conveyors: Suitable types and models for transporting seeds from one machine to another, in all types of machines.

8- Dust control system: Sorting by air blowing in the form of cyclone or whirlwind.



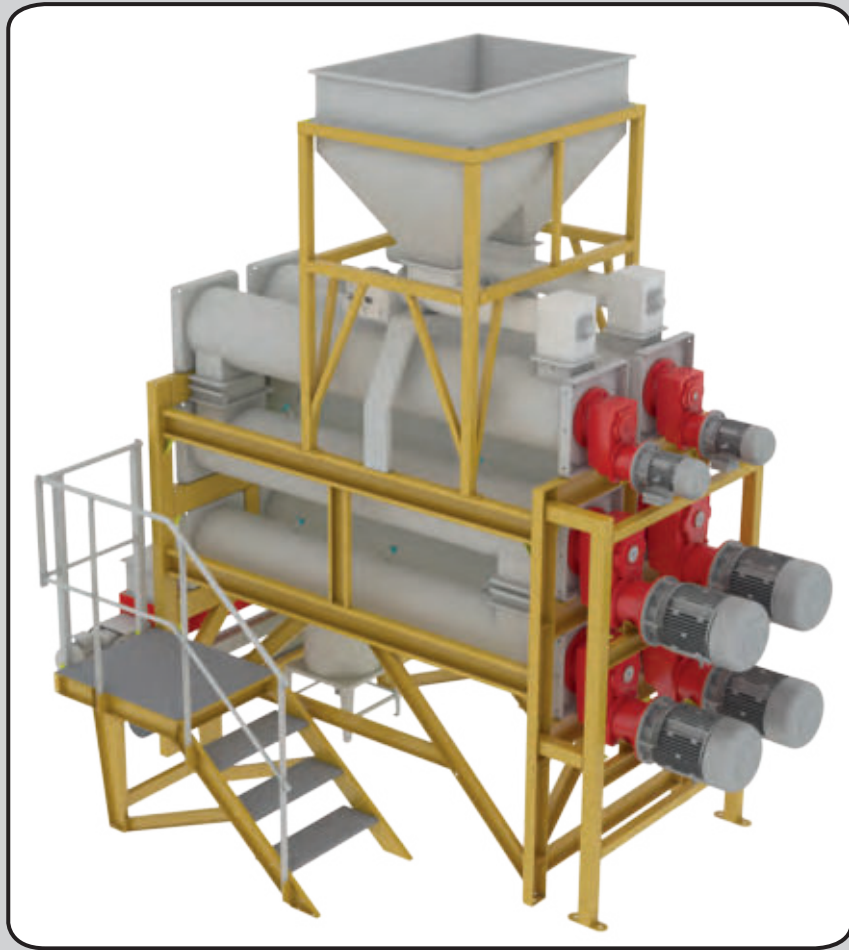
4- Rotary Sorter: Standardization of seed length, extraction of wild (weed) seeds, separation of longer and shorter foreign objects

5-Seed Processing: : Application of liquid chemicals for planting and safe storage

6- Bagging; Gross or net weighing of the seeds; packaging and sealing, in 25 or 50 kg bags

9- Power control: The generator ensures the operation of the machine on the chassis mentioned above.

10- Trailer: For a mobile plant, a trailer of the appropriate size and model is available for mobile seed processing equipment having the necessary space.

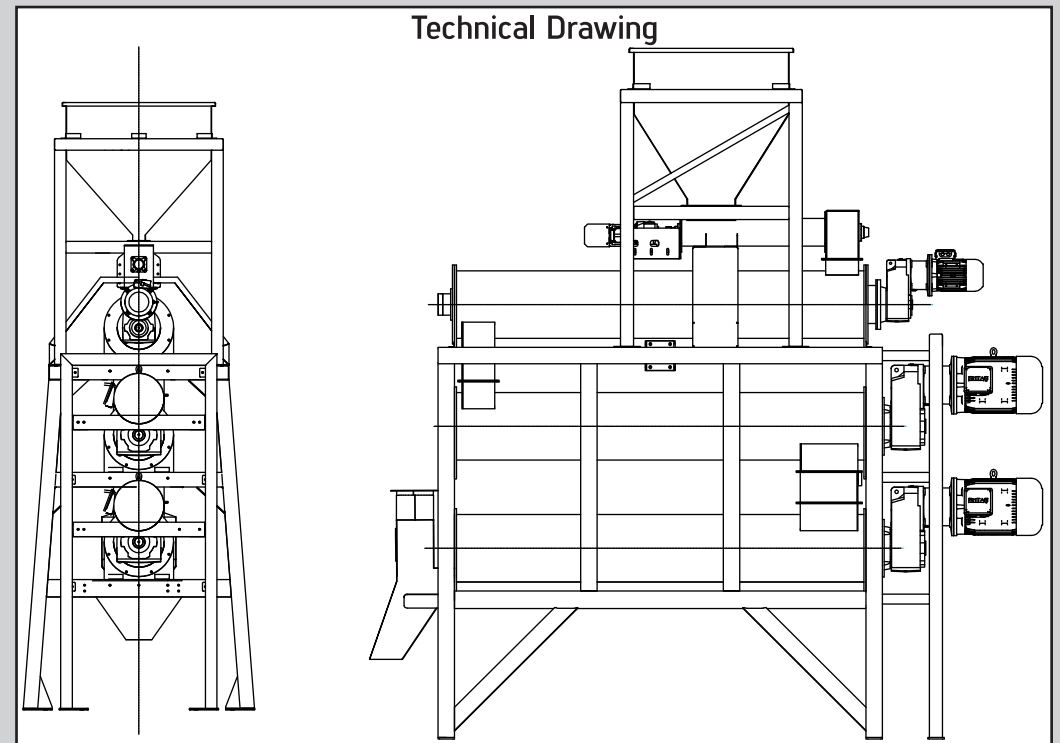


SESAME PEELER SP-4000

Akyurek's Sesame Peeler SP-4000 is a precise and efficient friction type dehulling units applicable for processing all kinds and types of Sesame seed peeling.

- Fully enclosed Hygienic Operation.
- Minimised utility bills comparison to other traditional methods of peeling.
- No chemical or salt used during Sesame Peeling Process.
- High quality product without modifying Sesame's natural properties.
- Improved peeling systems via Innovative technology.
- The peeling system is made of three cylinders.
- For optimum and high yield peeling process the first cylinder mixes the seeds with water in a continual and homogeneous way.
- For peeling process second cylinder creates friction between the seeds.
- The third cylinder continues the friction process with the same friction technique, so an optimum and high quality result obtained with process repeat.
- Regulation of input parameters control via on board PLC Panel.

CAPACITY CHART			
MODEL	SP-4100	SP-4200	SP-4500
	500 kg to 750 kg/h	1,0 to 1,5 tph	1,5 to 2,0 tph
Technical Data			
Cylinder Motors	45 kW	90 kW	135 kW
Weight	2,7500 kg	5,250 kg	7,950 kg
Aspiration Air	N/A	N/A	N/A
Water Requirement	80 lt/tn	80 lt/tn	80 lt/tn



→ Zig Zag air Husk Separator



ZIG ZAG AIR HUSK SEPARATOR

Double Colon Zig Zag Husk Separator designed for Husk Separation after Sesame Peeling as well as separation of moisture from Sesame Seeds.

Application of the Zig Zag air separator Features

- * Very precise separation due to by multi-stage-cross-flow separation
- * The consequential multiple impacts of the mass flow, the desagglomeration and release of product knots is ensured.
- * To reach stable operating conditions, we use a special designed ventilator rotor disk
- * Constant product quality is provided via regulation of air flow and control (optional)
- * Due to additional cleaning valves in the separator channel the equipment can be cleaned easily
- * In the air recirculation mode exists no emission source
- * Long life span due to robust construction and no rotating parts in the separator
- * Sturdy design

Technical details: Complete Stainless Steel Body

2 Colons of 6 Stage Cross Flow Zig Zag Air Separator Channels

Each Colon has air flow generator Aspirator with Heat Resistance

Feeder Hoppers Cyclones with Rotary Valves, Reject Collecting Cyclones with Rotary Valves, Base Frame and Service Platform.

Work principle

First Husk Separation Cycle

Clients Sesame Peelers output is feed to a Pneumatic Conveyor which conveys the product to First Cyclone Feeder Hopper.

- Feeder hopper Cyclone with Rotary Feeder 0.55 kw delivers the product (Husk and peeled Sesame) to the 6 Counter Flow Zig Zag Air Channel which is equipped with Heat Resistances and 4 kW Aspirator ; The hot air which is pushed from bottom to the top meets with gravity flow husk and peeled Sesame and this is where the husk is pushed up stream and separated from peeled sesame. Reject husk Collected by Cyclone with Rotary Feeder and fed in to a Bag or handled differently according to client choice.

Accept output which falls downstream by gravity fed to Rotary Feeder which then fed to Pneumatic Blower Pipe which feeds to Second Cyclone Feeder Hopper and above separation task repeated.

Motors

6 UNITS 0.55 kw/48 RPM AIRLOCK

2 UNITS 4 kw/1500 RPM ASPIRATOR S/S

2 UNITS 1.1 kw/3000 RPM PUNOMATIC ASPIRATOR S/S-

Feeding the Separator and Feeding Equipment after Separator is included.

TECNICAL DATA

Width	1900 mm
Length	3400 mm
Height	4550 mm
Weight	1950 Kg
Resistance Fan	2x4 Kw
Blower	2x1,5 Kw
Resistance	2x(16x2000W)
Air Lock	6x0,55 kW
Capacity	1500 Kg/ h
Internal Temperature	100 °C

→ Vibratory Sifter Separator



VIBRATORY SIFTER SEPARATOR

The modern design of the Vibratory Sifter separator allows it to achieve high quality cleaning at required capacities, whilst having small overall dimensions and low power consumption. Choice of model allows to separate over and or undersize impurities from peeled sesame. The separator is offered with the choice of Aspiration separator systems.

OPERATION:

Sesame is fed to the machine by means of supplied conveyor equipment, and then moved to the front part of the sieve basket where the grain distribution device spreads the grain across the whole sieve width. The reciprocating movement caused by the vibratory motors, moves the seed downwards across the screen surface and at the same time effectively directs the grain into a vertical position to pass through the perforated screens.

The Akyurek VSS has been designed to ensure that the stock moves more slowly down the sieve towards the outlet/tail end than at the inlet/head end.

This results in over tailing stock lingering on the sieve, improving stock distribution and increasing sieve capacity.

If your model choice on Vibratory Sifter Separator is with 2 Levels of Screen

On the first sieve deck, impurities larger than cereal grain are separated and moved out of the machine. The throughs from the first sieve deck move to the second sieve deck where impurities smaller than sesame are separated. These impurities are collected in the bottom of the sieve basket from where they are discharged. The throughs from the first sieve deck which is removed from smaller impurities moves forward to the outlet chute as accept. This task is called Oversize and Undersize Separation.

If your model choice on Vibratory Sifter Separator is with 1 Level of Screen Option 2 of 1.

On the sieve deck, impurities larger than sesame are separated and moved out of the machine. The throughs from the sieve deck moves forward to the outlet chute as accept.

This task is called Oversize Separation.

If your model choice on Vibratory Sifter Separator is with 1 Level of Screen Option 2 of 2.

On the sieve deck, whilst sesame is moving on perforated screen impurities smaller than sesame are separated, these throughs impurities are collected in the bottom of the sieve basket from where they are discharged. The sesame which is separated from its smaller admixtures forward to the outlet chute as accept. This task is called Undersize Separation.

OPTIONAL FEATURES

- Quantity of screen decks
- With or with our inverter
- With our without ball screen cleaning system
- Manufactured for required height
- Feed intake hopper
- Aspiration Channel
- Lifting Fan

ADVANTAGES:

The features of the vibratory sieve separator are as follows:

- Speed and capacity adjustment with inverter
- Smooth and silent operation.
- Drive by electric vibratory motors for negligible maintenance and highly effective screening.
- Good access to sieves and easy sieve change.
- Choice of aspiration systems from basic aspiration case to high performance pneumatic channels, as follows:

Version "A" – separator with basic aspiration case – for removal of dust.

Version "B" – fan located below the sieve basket in separator frame to blow light admixtures from of cleaned seed.

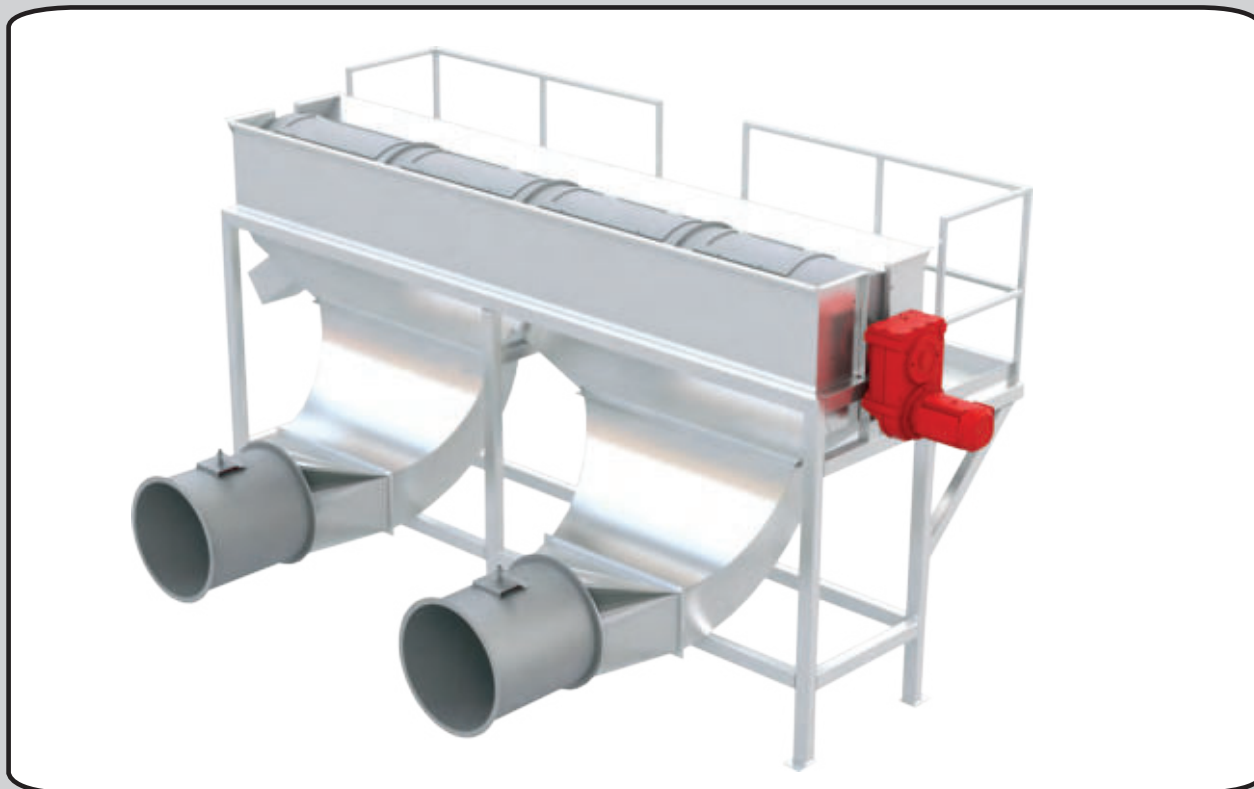
CONSTRUCTION:

The vibratory sifter separator consists of:

- Sieve basket with two decks of sieves and product inlet and outlet.
- Sieve basket with single decks of sieves and product inlet and outlet.
- Supporting frame.
- Drive consisting of one or two electric vibrators mounted to sieve basket sides.
- Outlet stub-pipes for outputting impurities.
- The steel work is All Through Stainless Steel
- CNC Laser cut steel components for precision manufacturing
- Rosta Shoes for silent and long lasting operation

TECNICAL DATA	
Width	1450 mm
Length	2550 mm
Height	1900 mm
Weight	600 Kg
Screen Area	2 m ²
Motor	2x0.43 kW Vibro
Material	AISI-304
Capacity	2 ton per hour

→ Seed Brush Cleaner



SEED BRUSH CLEANER

Seed Brusher is designed for many application;

- *removing the black spots of sesame seeds on the nose of the seed
- *continue hulling process for semi hulled sesame
- *cool down the previously treated product in the dryer to a room temperature
- *removing hull that has loosen in the drying or roasting process.

TECNICAL DATA	
Width	2860 mm
Length	4370 mm
Height	2420 mm
Weight	1430 Kg
Cylindrical Screen Diameter	630 mm
Cylindrical Screen Length	4000 mm
Motor	3 kW
Air Requirement	20000 m3
Material	AISI304
Capacity	1500 Kg/h

→ Sesame Seed Dryer



SESAME SEED DRYER

Sesame Seed Dryer is designed for separation of moisture from Sesame Seed after Peeling or Humidifying Process and also applicable for before Roasting process.

CONSTRUCTION & ADVANTAGES:

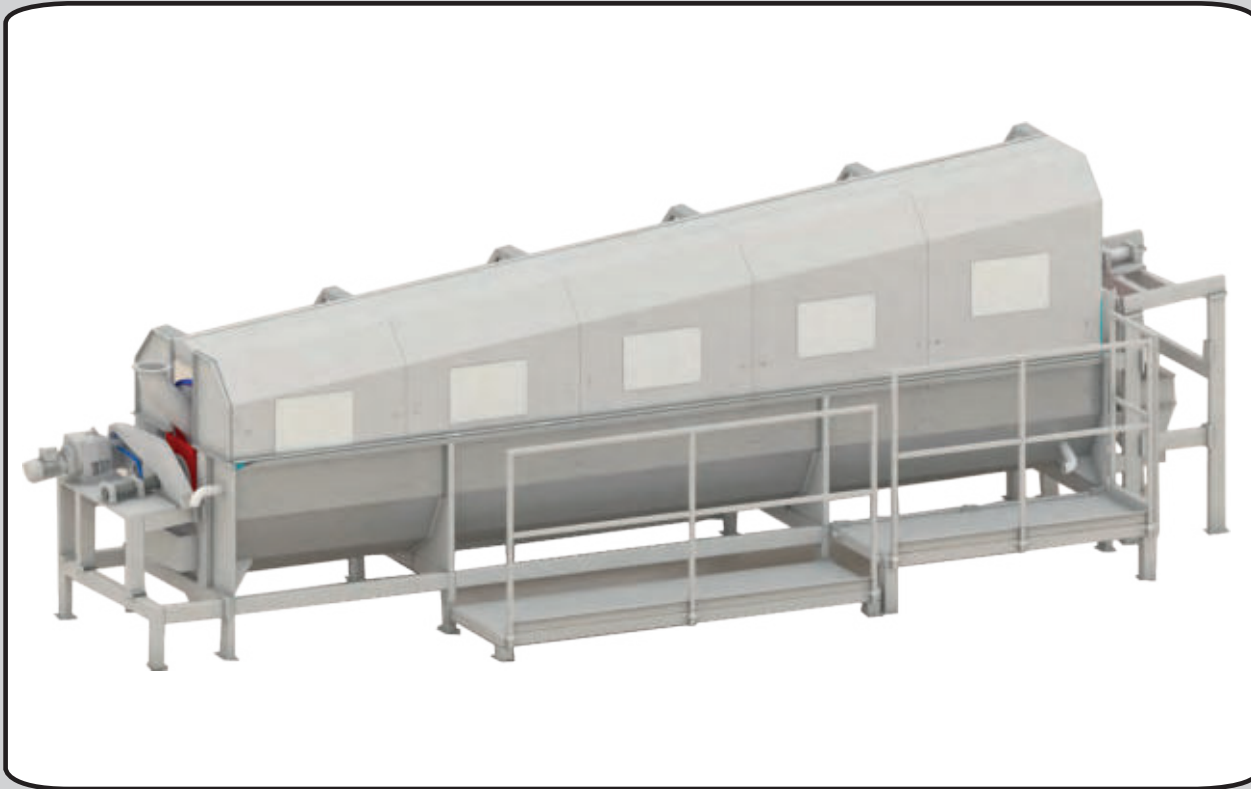
- Choice of Heat Sources–Burner or Steam Serpentine
- Single Sesame Inlet
- Single Dried Sesame Outlet
- Single Fan
- Single Hot Air Inlet
- Single Hot Air Outlet
- Single Drying Chamber
- Easy Access for cleaning and maintenance
- Easy Control of Heat
- Uniformly dried Seed
- The steel work is all through Stainless Steel
- CNC Laser cut steel components for precision manufacturing

TECNICAL DATA	
Width	2465 mm
Length	3505 mm
Height	5879 mm
Weight	1835 Kg
Chamber Diameter	1900 mm
Fan Power	30 kW
Fan Flow	40000 m ³
Steam Requirement	8 Bar-1600 Kg/h
Capacity	1500 Kg/h
Material	AISI-304, ST37
Internal Temperature	100 °C

OPERATION:

Sesame is fed to the machine by means of supplied conveyor equipment; intake of Drier equipped with a short Screw Conveyor to feed the Drying Chamber. Hot air is supplied to chamber with fan and Sesame is exposed to hot air when enters to chamber. High moistures sesame remains on lower level of Chamber and as hot air applied to Sesame, the moisture evaporates from seed and Sesame starts to get lighter. With hot air blast from beneath the chamber lighter Sesame arise to a higher level in Chamber and directed to accept outlet chute where a short screw conveyor discharges seed to next process.

→ Sesame Hydration Tank

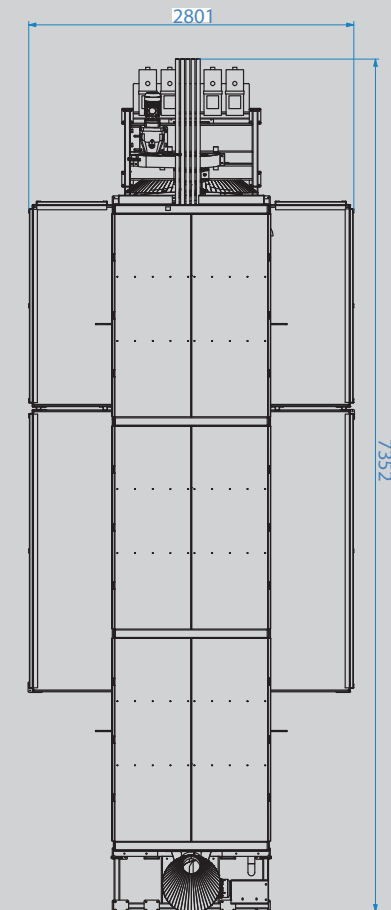
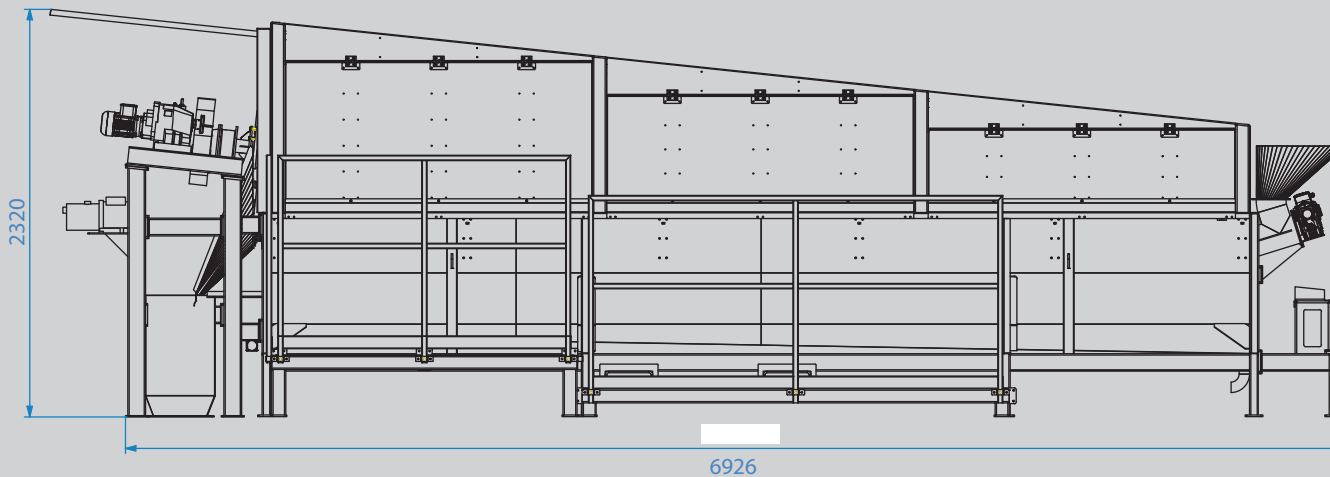


SESAME HYDRATION TANK

Sesame Hydration Tank is designed for application water and required additives to Sesame Seed during Sesame Seed Processing.

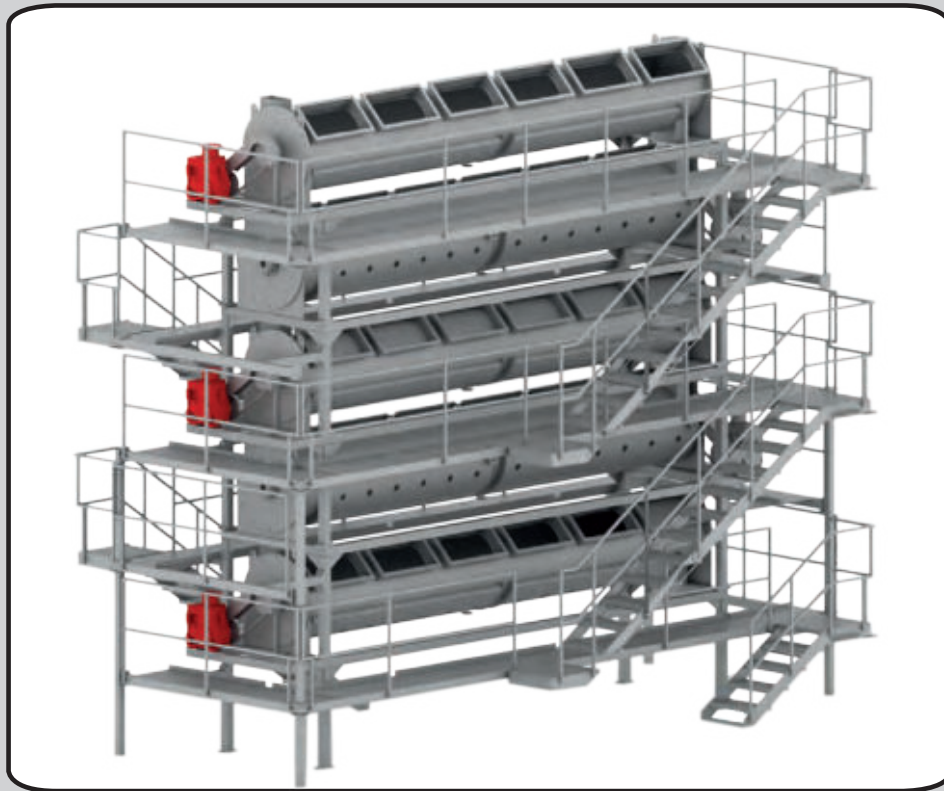
Application Areas

- *Apply water to Sesame before hulling Stage to ease hulling.
- *Apply additive to increase the Peeled Sesame coloring.
- *Increase the sesame center moisture and uniform moisture within Sesame for better roasting and better taste
- *Designed according to HACCP regulations
- *Water Nozzles to apply water to external cover of Conveying body.
- *Water Recirculating pump.
- *Water filter and pump.
- *Control of Sesame Seed duration in water.
- *Works in continuous principle.



Tank Capacity = 3.853 m³
3 cr Pump 3 Unit 0.45 kW, H=38-5 m, Q=10-80 l/min
5 cr Pump 1 Unit 0,75 kW, H=67-12 m, Q=10-80 l/min
1 Unit 0.75 kW Motor
1 Unit 0.25 kW Motor

→ Continuous Cylindrical Roaster



CONTINUOUS CYLINDRICAL ROASTER CCS5000

- Continuous Cylindrical Roaster designed for sesame seed roasting for optimum result for traditional treatment principles by using the most innovative technology.
- The Continuous Cylindrical Roaster consists of a series of cylinders with double cover heated by steam.
- A homogeneous sesame roast with the ideal humidity conditions achieved by Sesame passing through heated double cover Cylinders.
- All parameters of the Roaster controlled via PLC System.
- Mechanical dynamics of Roaster designed by years of experience reflection.
- Operational practicality and hygiene are key design factors along with technological applications and hardware durability.
- Combined roasting and sterilization
- Targeted flavor improvement

TECNICAL DATA	
Width	2465 mm
Length	3505 mm
Height	5879 mm
Weight	1835 Kg
Chamber Diameter	1900 mm
Fan Power	30 kW
Fan Flow	40000 m ³
Steam Requirement	8 Bar-1600 Kg/h
Capacity	1500 Kg/h
Material	AISI-304, ST37
Internal Temperature	100 °C

→ Tahini Mill



TAHINI MILL TM 3x380

Sesame grinding creates Tahini which is done 2 two stages to reach required specification.

First phase, first Mill generate course Tahina and on second Mill with 2 mills crushes Tahina to its the thinnest form.

Water cooling at first outlet pan and at the second out let bin, double layer jacket with cool water.

Tahina which is gained in reservoir shall be transferred to Tahina storage tank through centrifugal pumps.

Stone diameter are 380 mm each with 15 kw Motor.

(3 Stones on machine, 3 x 15 kW = 45kW)

The capacity is 450 Kg for 45-50 micron per one hour.

Capacity is 300 Kg for 30 micron per one hour.

- Plc system
- Touch screen
- Speed control
- Degree control
- Automatic sesame on / off



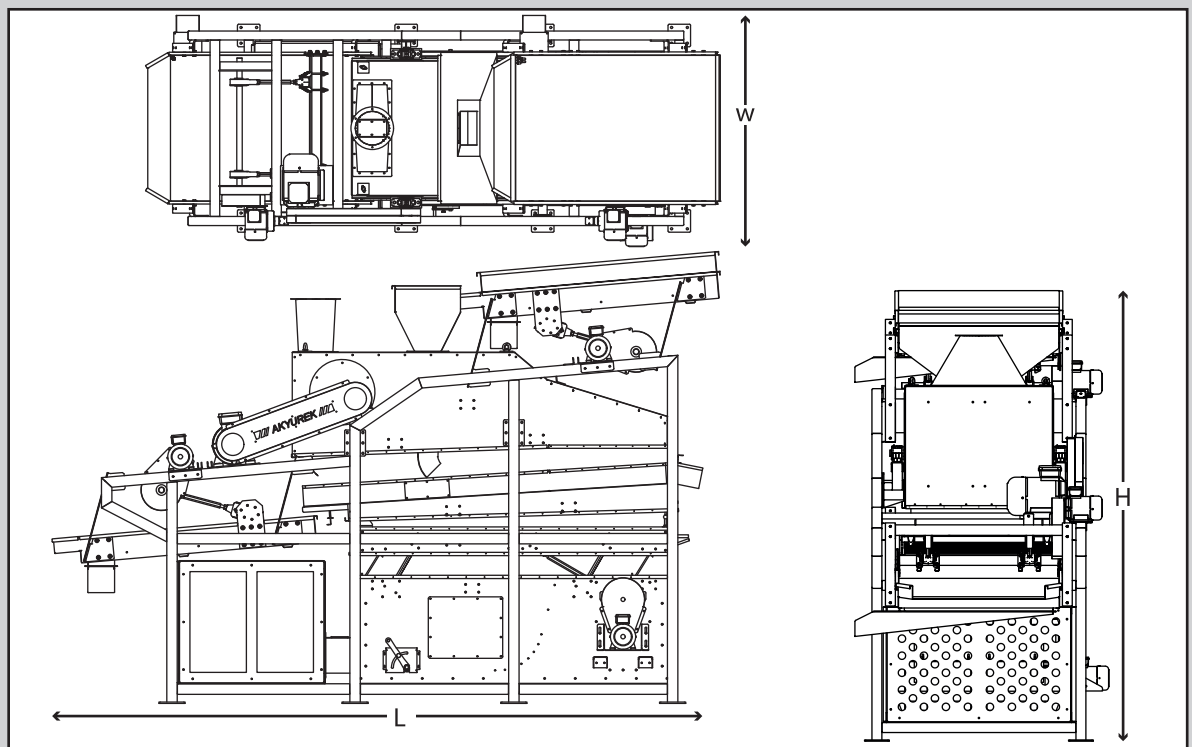
PRE-CLEANER + DE-STONER GPC-12X28

Akyurek Technology 'Pre-Cleaner + De-Stoner' approves its self with its efficient and successful concept. Separations of admixtures at first stage in cleaning process allows for increased efficiency. Performing foreign material separation early in the cleaning process allows for increased efficiency by downstream processing equipment.

When receiving product at beginning of season, unload time is very important. Akyurek Technology 'Ground Peanut Pre-Cleaner' can work at high capacity volumes of product, while performing accurate and precise cleaning.

'Pre-Cleaner + De-Stoner' machine has got 3 Stages;
 Stage 1- Screen Boat with 2 Levels of Screen for 'Scalping' & 'Screening' designated to separate 'oversize admixtures' like long sticks and large stones and 'undersize admixtures' like sand and fine dust separated by sand screen.
 Stage 2-De-Stoner with efficient density separation of heavier admixtures like stones, rocks, glass or any other admixture heavier than Ground Peanut.
 Stage 3- Screen Boat with Single Screening Level to separate loose Peanut Kernels that are already shelled from its husk during field to warehouse trip so loose kernels can be processed separately and safely.

Work Principle: Product enters the cleaner through a variable speed roll feeder, which allows for flow rate control (optional). The roll feeder evenly spreads the product and transfers it to the deck, large admixtures separated at upper screen, product pass through top screen and expose to bottom screen. Dirt and sand is removed on the lower screen with the use of perforated sifting screens. Once the dirt and sand is removed, product is conveyed to the destoner. A fluidized air bed generated on De-Stoner deck via lower fan for stratification, eccentric system conveys rejects (stones and heavy admixtures) on opposite direction whilst accept seed lot leaves the machine on opposite direction. Light dust particles travel through the ventilation system and then to a dust collection unit. The remaining acceptable product continues down the deck and flows over another series of perforated screens to remove any meats, splits, or any other siftings that may be present.



Technical Data	
PRE-CLEANER+DE-STONER	
MODEL	AKYUREK GPC-12X28
CAPACITY	
GROUNDNUT	10 to 15 tph
Weight	
Net	3500 kg
Diemensions	
Height	3300 mm
Width	1730 mm
Length	5000 mm
Total Electrical	
Power Consumption	34,5 kW
Air Volume	
Air Requirment	37000 m ³ /h

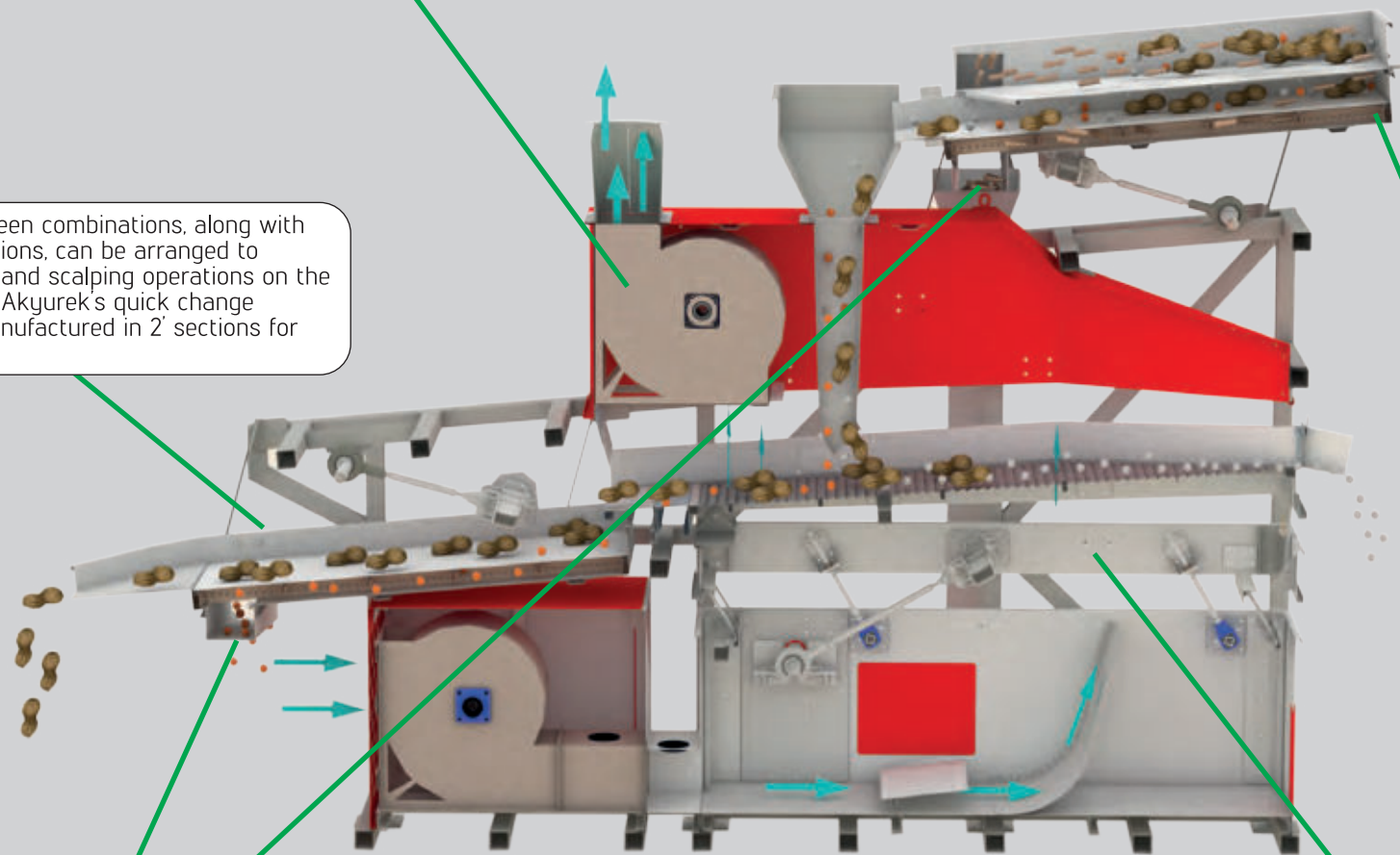
→ Seed Separators → Screen Cleaners → Pre-Cleaners → Pre-Cleaner + De-Stoner

Aspiration: In the aspiration section of the Pre-Cleaner destoner, light foreign material liftings such as leaves, hay, small sticks, and pops are removed as a result of their lower density when compared to that of the acceptable product.

DECKS: It is essential for product to be properly distributed to the screens in order for optimum separation to occur. If the product is too deep, it cannot be adequately presented to the screens for separation. In most cases, the siftings are generally lighter than desirable product. A deep product flow compounds the sifting process, thus causing the lighter siftings to migrate to the top of the flow as it travels down the vibrating deck. Increased screening area ensures adequate product contact allowing for greater screening efficiency. With this knowledge in mind, Akyurek manufactures the Pre-Cleaner in four different widths to ensure that each customer's capacity requirement is met.

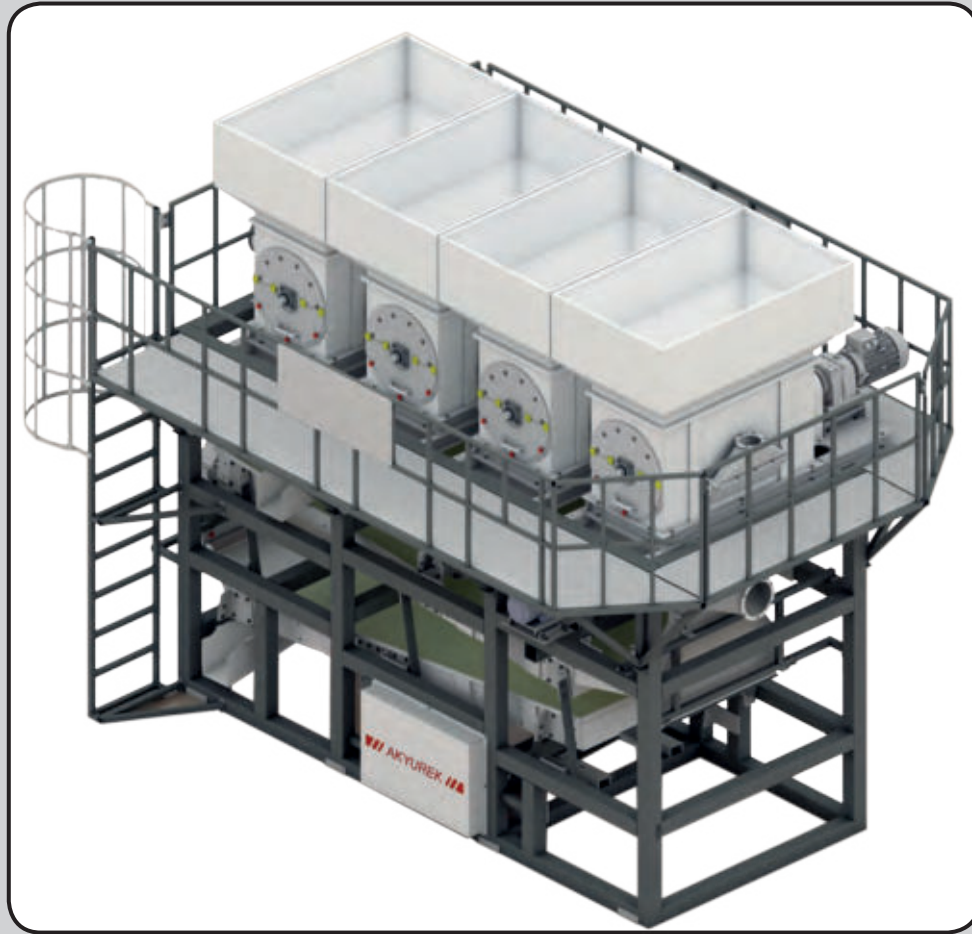
Screening: Screen combinations, along with deck configurations, can be arranged to perform sifting and scalping operations on the same machine. Akyurek's quick change screens are manufactured in 2' sections for easy changing.

Ball Tray: Akyurek's unique ball tray design gives the 2" ball used for cleaning screens unprecedented random action, and has proven to be far superior to the woven wire systems found in other machines. All ball trays are manufactured in 2' long removable sections for easy clean out when sanitation is a high priority



Spouts: Each machine is custom designed to include a spouting configuration that matches each customer's specific situation. Size, location, and orientation of spouts are some of the many modifications that Akyurek can incorporate into the machine's design in order to accommodate unique separations or space constraints.

De-Stoner: The Pre-Cleaner De-stoner is designed to lift the acceptable product across the deck. The heavier foreign material, such as stones, heavy dirt balls, and metal will climb up on deck and out of the product flow, accept product will move forward.



PEANUT SHELLER PS 4X3

Sheller cylinders

- Peanut Sheller is designed with ease of operation and low maintenance in mind.
- The shelling grates are easy to change, quick change feature allows the operator to easily vary shelling grates as the size of the peanuts change.
- under a load under a load of sheller cylinders due to directly driven of its motors and gear reducer.
- Directly driven by its motor and gear reducer, the shelling cylinder has the ability to S under a load.

Three screening boats

Balanced Eccentric System

- Is fitted with counter weights ensuring steady runing
- Involving minimum stress on building and steel structures
- Is fitted with "heavy duty" bearings
- Ensures maximum utilisation of the cleaning effect of the sieves owing to accurately attuned stroke and RPM.

Ball Box

- Ensures efficient cleaning of sieves by means of rubber balls
- Can maintain the cleaning effect at extremely low temperatures as the rubber balls are cast in a very suitable material
- Is cast soild so that it prevents stuck seeds etc. (self-cleaning)
- Is separately mounted in the scren shoes which ensures a quick change of sieves without removing the ball boxes.

Hull aspiration Vacuum Channels

- Eliminates light shells
- Through which shells, dust etc. are led with the airflow to the after suction system.

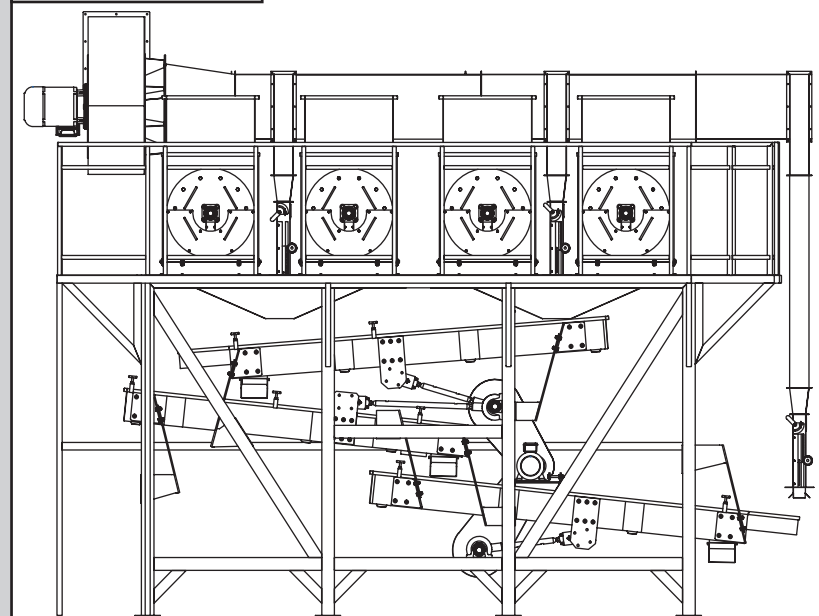
Centrifugal Aspirator

- The impeller is self-cleaning and dynamically balanced. The spiral housing is made of welded steel plate.
- Direct coupled flange motor.

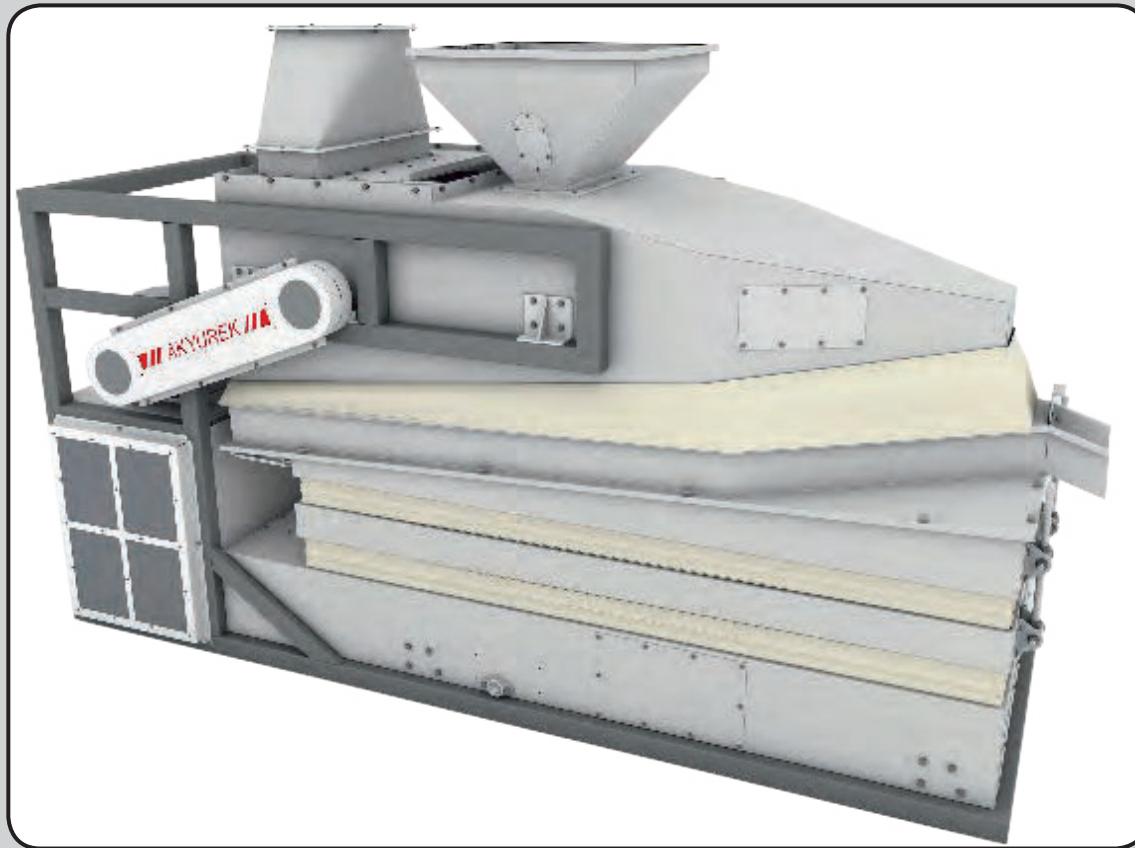
Service Platform

- Easy access to Sheller and Aspiration for service and maintenance.
- Cat walk and safety bars.

Technical Drawing



PEANUT SHELLER	
MODEL	AKYUREK PS 4x3
Dimensions	
Weight	7000 kg
Lenght	6350 mm
Width	3610 mm
Height	4300 mm
Screen Area	11.0 m ²
Motors (standard)	
Aspirator Motor	11 kW
Eccentric Motor	2.2 kW
Sheller Motors	11 kW
Bunker Vibrating Motors	0,18 kW
Air Volume	
Machine Intake Air Volume	22500 m ³ /h



PEANUT DENSITY SEPARATOR PDS-12X25

Akyurek Technology Peanut Density Separator has a wide variety of application area;

- Stone Separation from Ground Peanut (any admixture that is heavier than Ground Peanut; Stones, Glass, metals, dirt balls est.)
- Empty or Half Empty Ground Peanut Separation from Prime Ground Peanut
- Un-hulled Peanut Separation from Hulled Peanut
- Simple operation
- Stainless Steel contacts available
- Full enclosed dust hood
- High efficiency fluidization provided by a single fan
- Counterbalanced eccentric
- Uniform Feeding for optimum separation

Unshelled & Shelled Peanut Separator / KFSPPR – 2000 – 13 – V1

This machines provides separation of empty and half-empty products from the natural product.

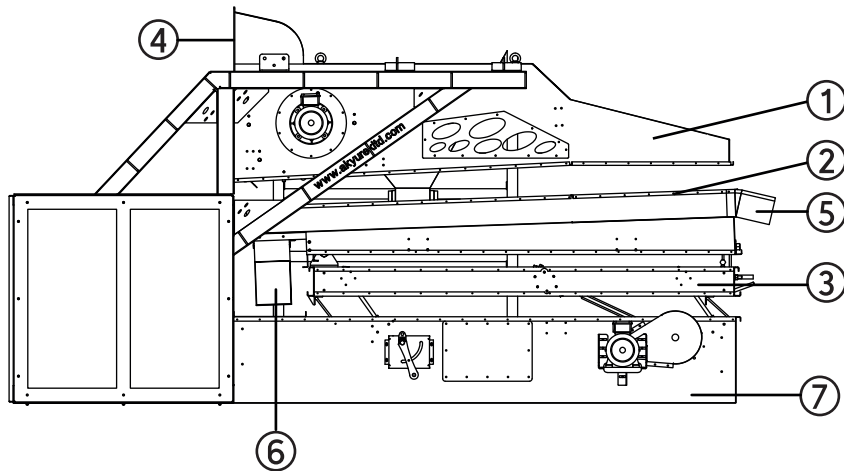
Working Principle: Peanut is conveyed to the hopper by an elevator which feeds the machine. Pre-Storage hopper feeds seed on to the screen of the machine continuously.

Air pressure for the Stratifying zone on the Screen of the density Separator supplied by an internal fan. Eccentric movement of the machine and provided bed of air starts the separation task of the light and heavy particals.

Light items/admixtures or impurities leaves from the side chute and heavy items/seeds/ kernels leaves from the front chute.

Air exhaust is done form the top of the machine.

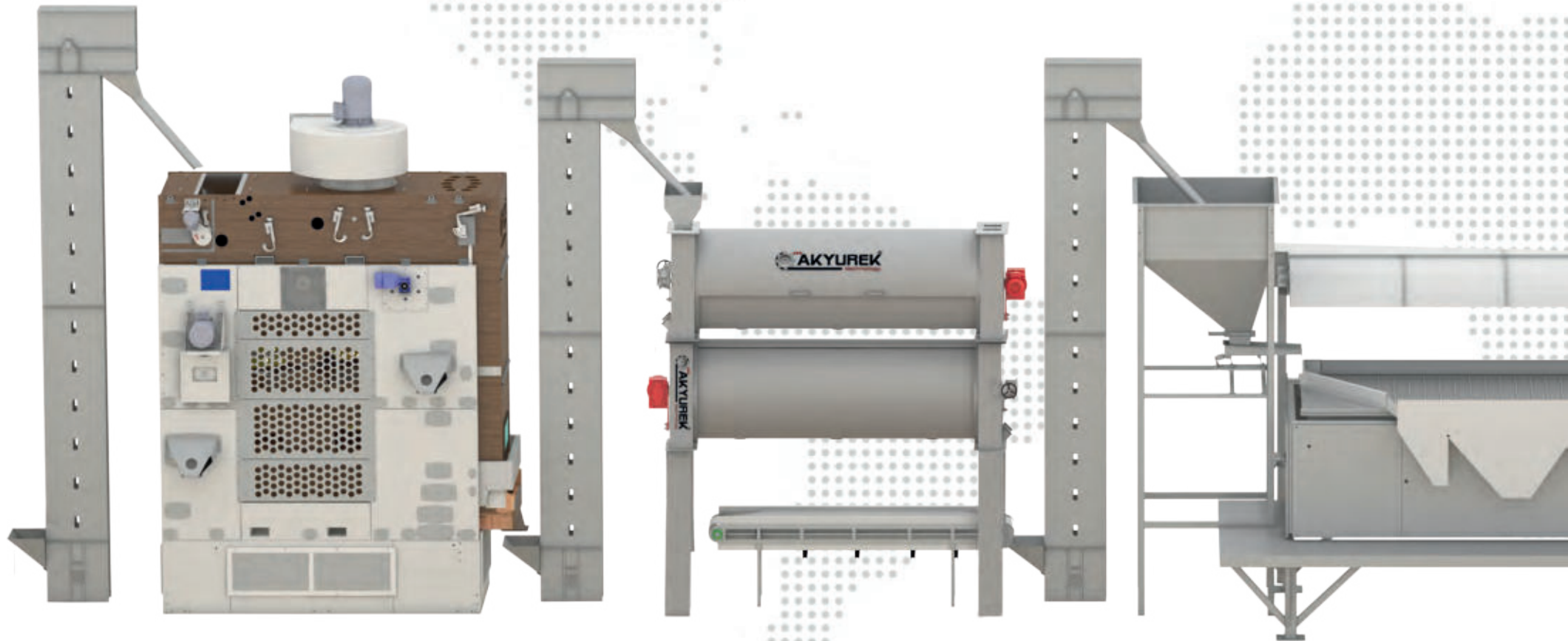
Technical Drawing



- ① Air Chamber
- ② Special Sieve
- ③ Vehicle Chassis
- ④ Natural Products Input
- ⑤ Accept Product Input
- ⑥ Empty-Half Empty Product Output
- ⑦ Carrier Chassis

Technical Specs		Unshelled Peanut Separator
		AKYUREK PDS - 12X25
Machine Weight	Kg	1950
Machine Size	xyz(mm)	4400x2300x1900
Screen Area	m ²	2.5
Capacity of the Machine	Kg	750
Screen and Air Adjustment		Mechanic
Machine Noise Level		85 Desibel Maximum
Air Volume of the Machine Aspirator		Without load 21000 m ³ /h
		18,5 kw

Turnkey Seed Processing Solutions



Turnkey Seed Processing Solutions

